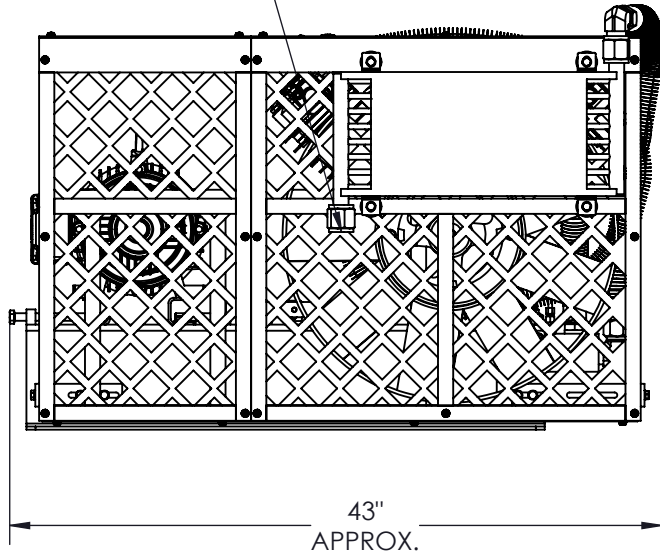
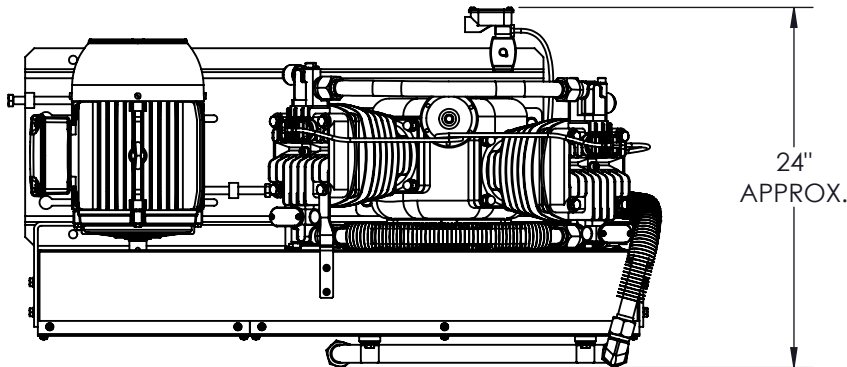
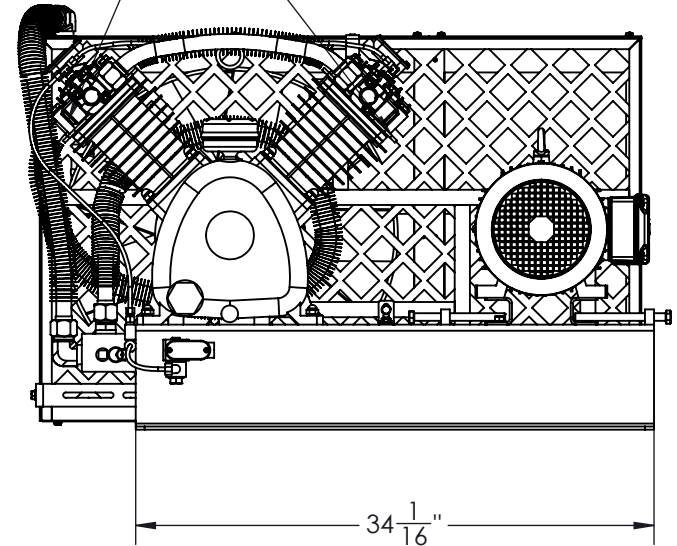
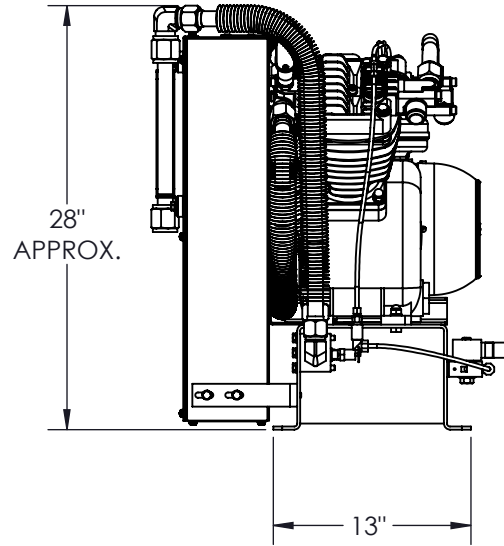




1" NPT AIR DISCHARGE CONNECTION



1" NPT AIR INLET CONNECTION



01	N/A	INITIAL RELEASE	01/25/12	F.L.
REV.	ECO NO.	DESCRIPTION OF CHANGE	DATE	BY
DO NOT SCALE DRAWING		DRAWN BY	DATE	 <small>COPYRIGHT © AND COPYRIGHTED BY OHIO MEDICAL CORPORATION</small>
UNLESS OTHERWISE SPECIFIED: DIMENSIONS ARE IN INCHES AND TOLERANCES ARE:		F. LOPEZ	01/25/12	
X.X ± 0.1		CHECKED BY	DATE	
X.XX ± 0.01		APPROVED BY	DATE	
X.XXX ± 0.005				
X.X" ± 1				
THIRD ANGLE PROJECTION				
MATERIAL: N/A		ITEM DESCRIPTION RECIPROCATING AIR COMPRESSOR MODULE, 5 HP 208-230/460V		
FINISH: N/A		DWG SIZE	PART NUMBER	PART REV.
FILE NAME: 100-0221.slddrw		B	P5-M	01
		SCALE: 1:12	SHEET 1 OF 1	

CONFIDENTIAL: THIS DRAWING AND THE DESIGN REPRESENTED THEREIN ARE THE PROPERTY OF OHIO MEDICAL CORPORATION AND HAS BEEN ISSUED WITH THE UNDERSTANDING THAT NEITHER DRAWING NOR THE INFORMATION THEREIN IS TO BE USED OR DISCLOSED, EITHER IN WHOLE OR PART, EXCEPT AS SPECIFICALLY AUTHORIZED BY OHIO MEDICAL CORPORATION AND SHALL BE RETURNED UPON REQUEST.