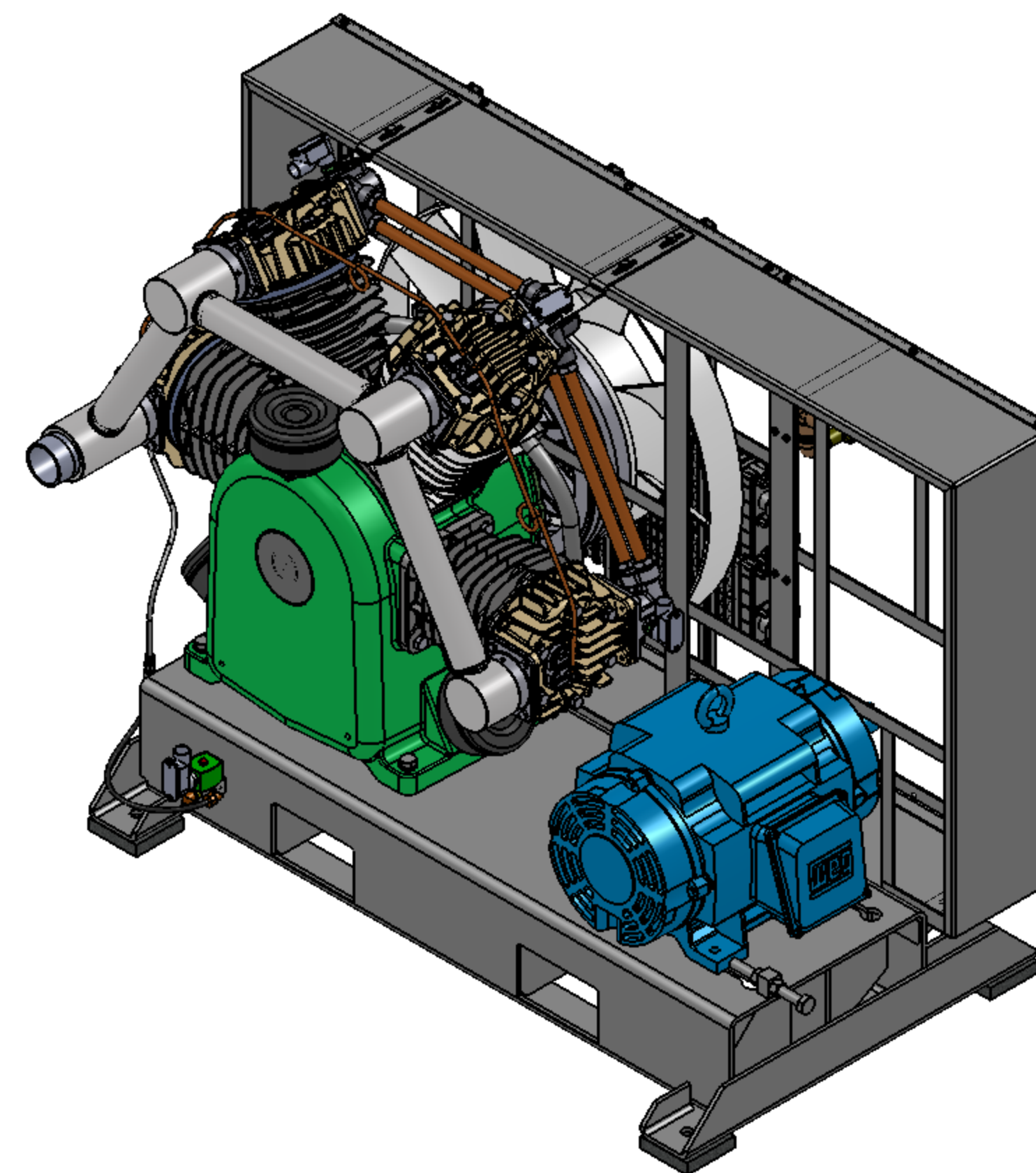
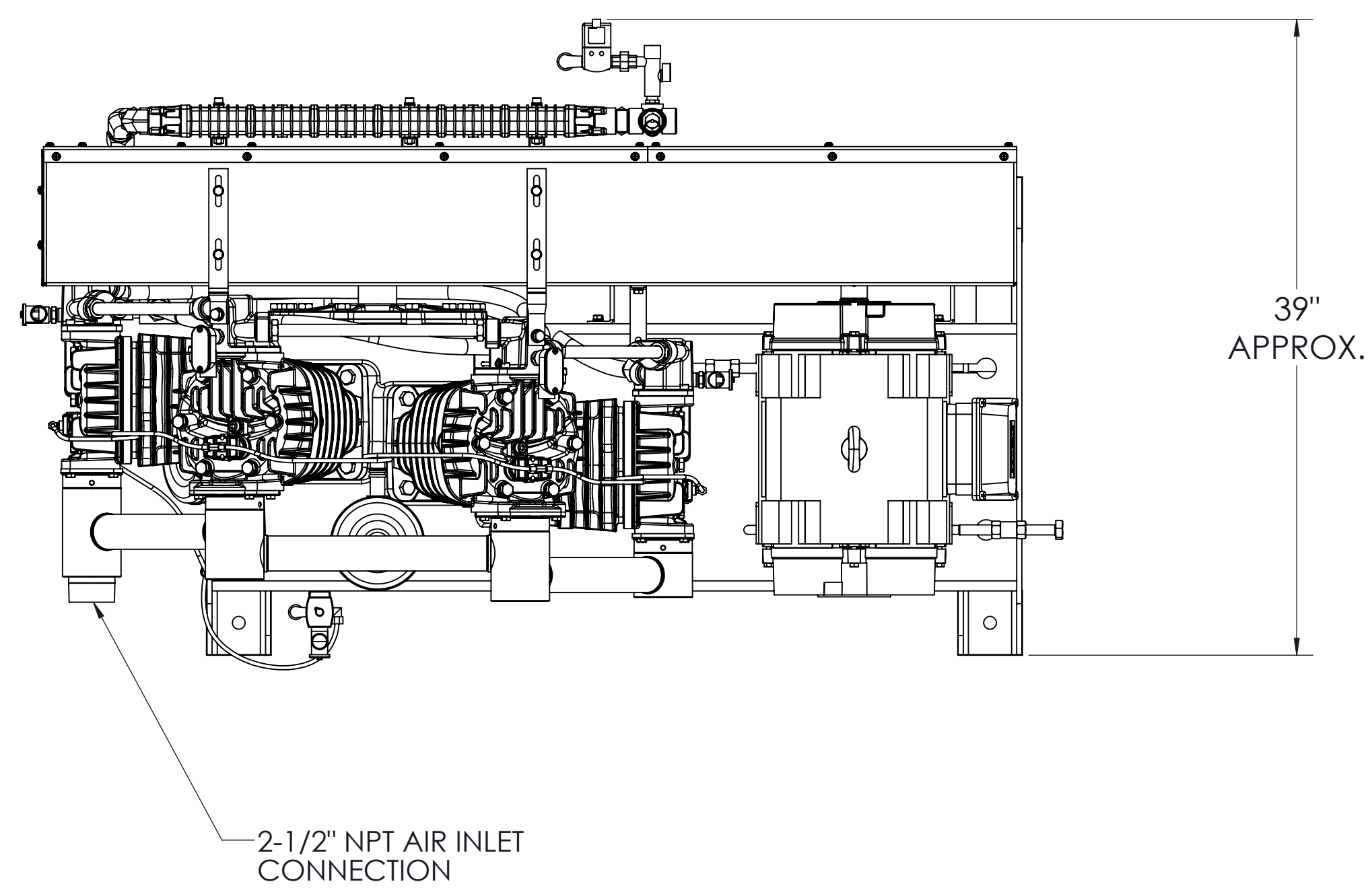
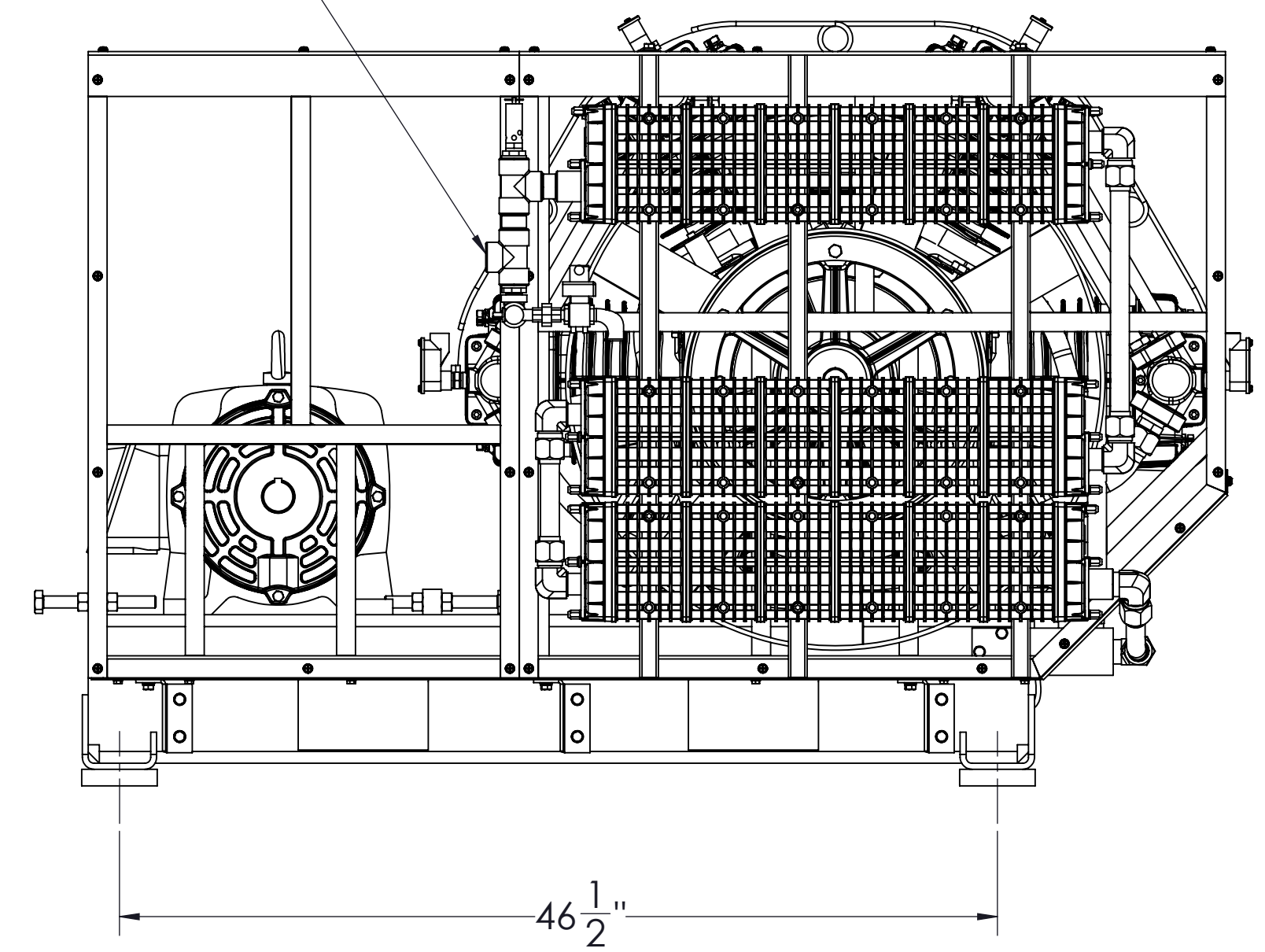


1" NPT AIR DISCHARGE CONNECTION



01	N/A	INITIAL RELEASE	05/01/13	F.L.
REV	ECO NO.	DESCRIPTION OF CHANGE	DATE	BY
<small>DO NOT SCALE DRAWING UNLESS OTHERWISE SPECIFIED DIMENSIONS ARE IN INCHES AND TOLERANCES ARE: .XX ± 0.1 .XXX ± 0.01 X.XXX ± 0.005 X.XXX ± 1</small>				
DRAWN BY		DATE		
F. LOPEZ		05/01/13		
CHECKED BY		DATE		
APPROVED BY		DATE		<small>COPYRIGHT © 2013 OHIO MEDICAL CORPORATION</small>
ITEM DESCRIPTION		RECIPROCATING AIR COMPRESSOR MODULE, 20 HP, 208-230/460V		
FINISH		DRAWING NUMBER		REV
N/A		B P20-M		01
FILE NAME		SCALE: 1:1		SHEET 1 OF 1
P20-M.slddrw				

CONFIDENTIAL: THIS DRAWING AND THE DESIGN REPRESENTED THEREIN ARE THE PROPERTY OF OHIO MEDICAL CORPORATION AND HAS BEEN ISSUED WITH THE UNDERSTANDING THAT NEITHER DRAWING NOR THE INFORMATION THEREIN IS TO BE USED OR DISCLOSED, EITHER IN WHOLE OR IN PART, EXCEPT AS SPECIFICALLY AUTHORIZED BY OHIO MEDICAL CORPORATION AND SHALL BE RETURNED UPON REQUEST.