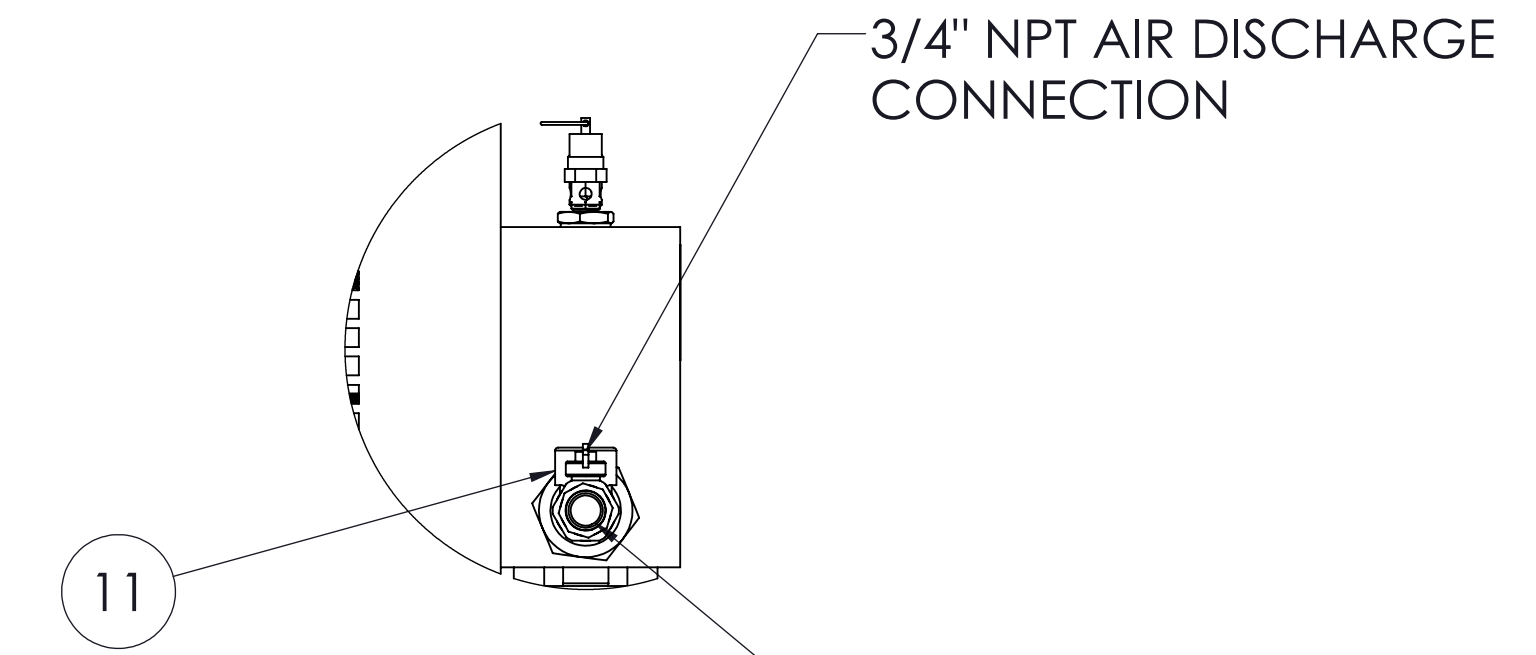
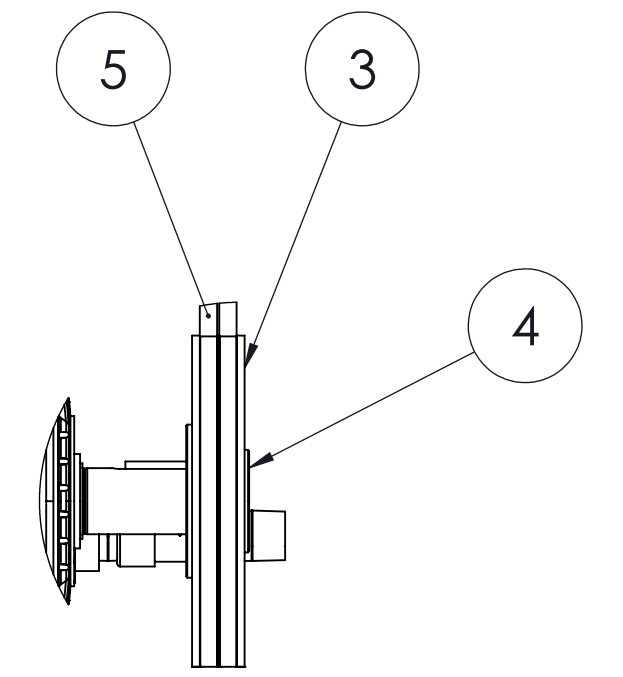
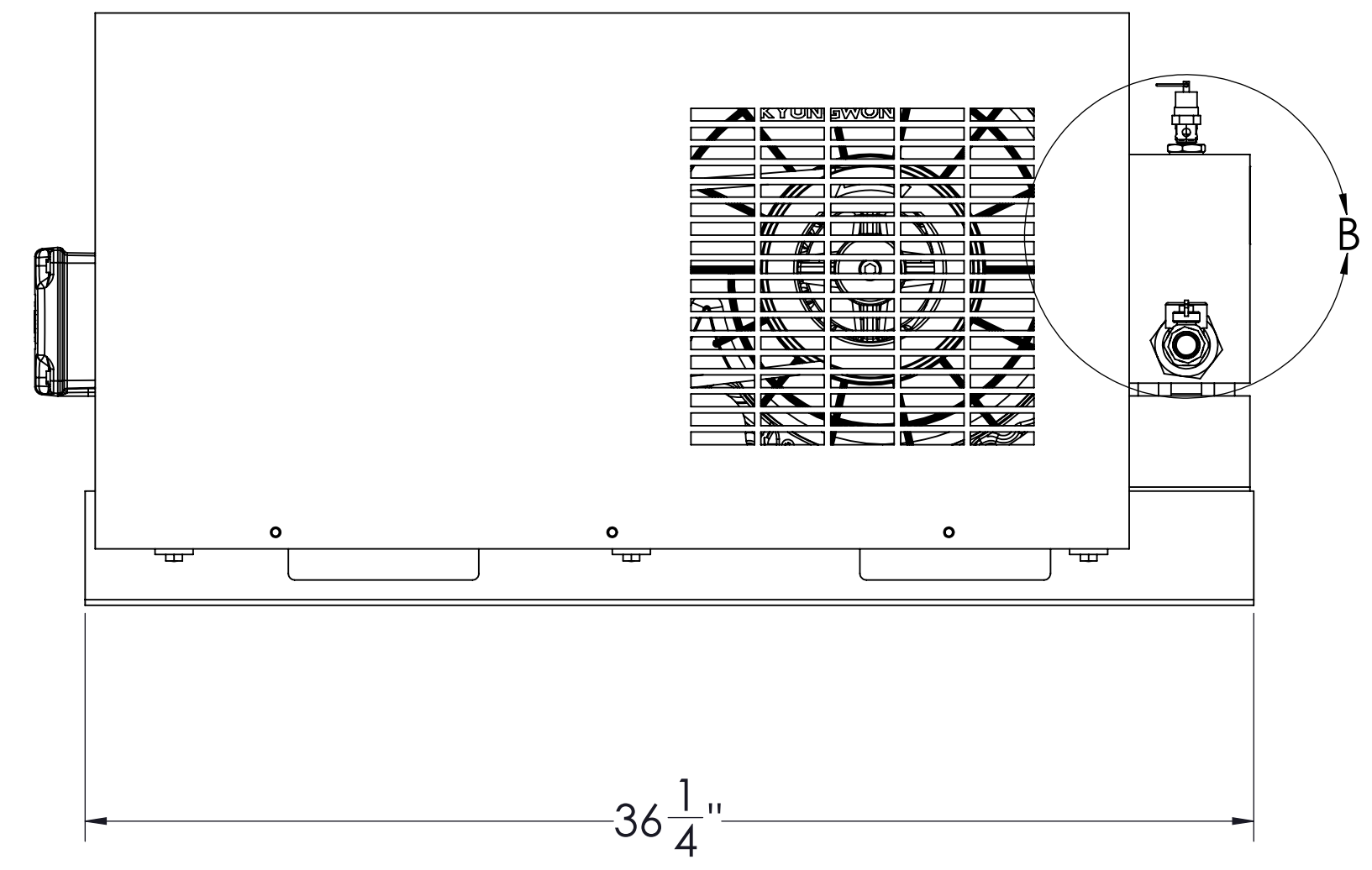
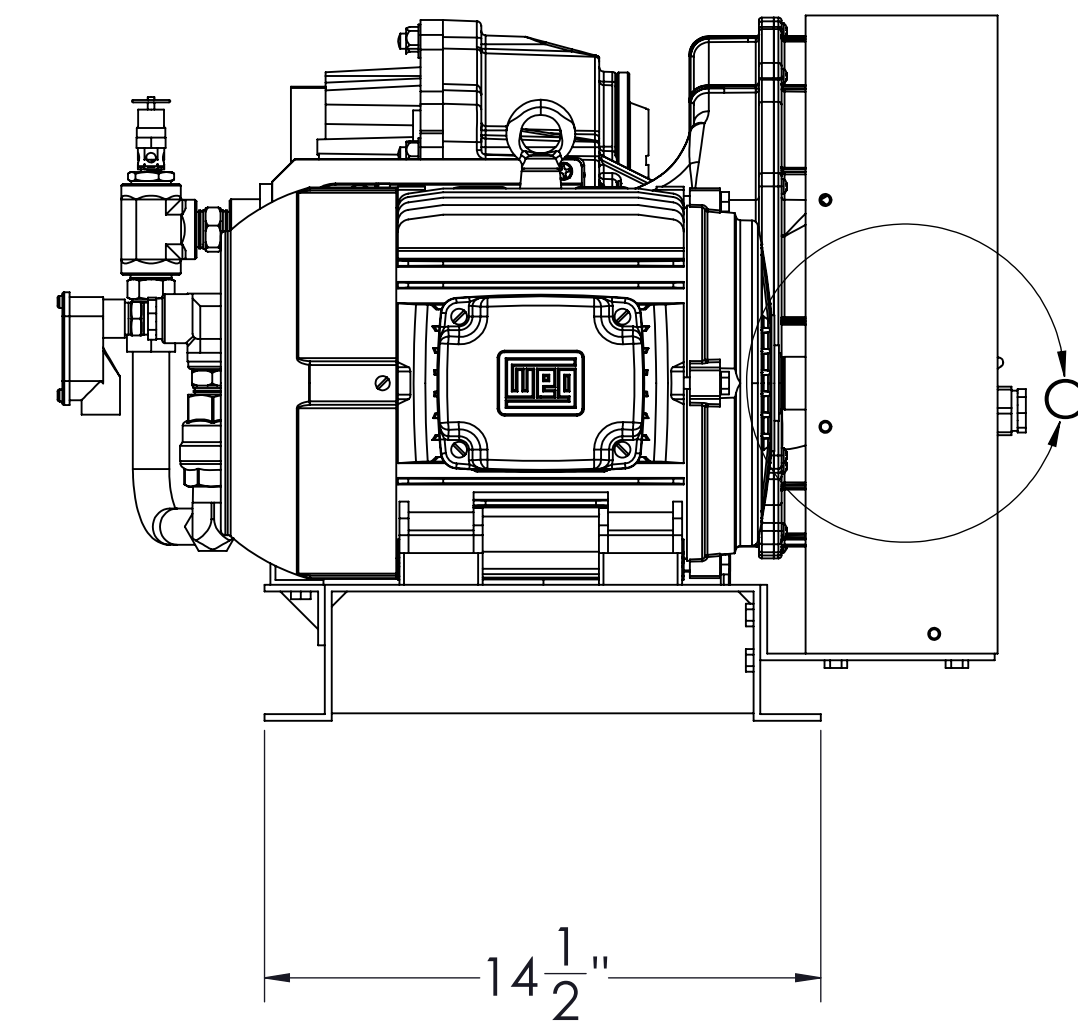
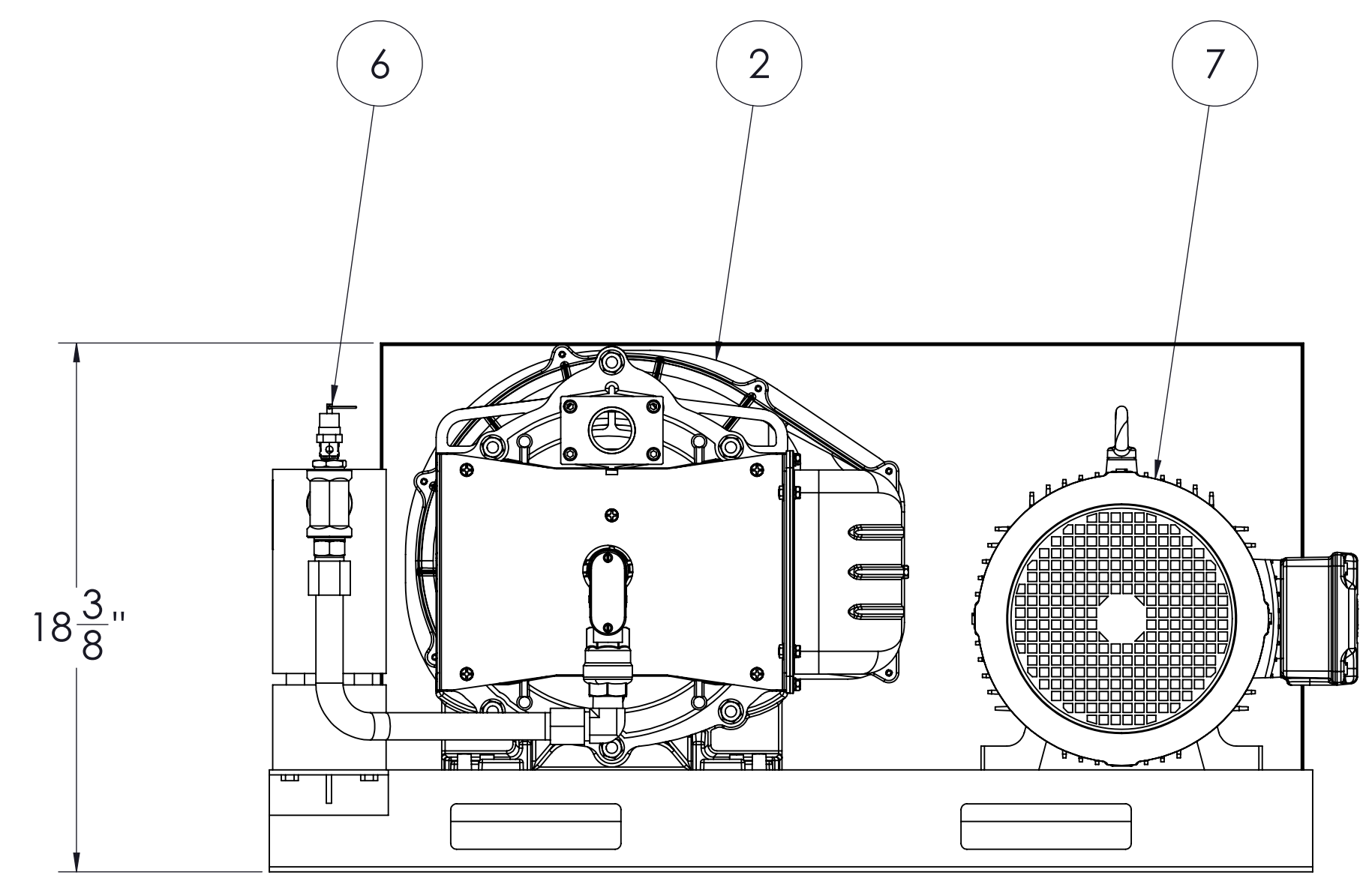
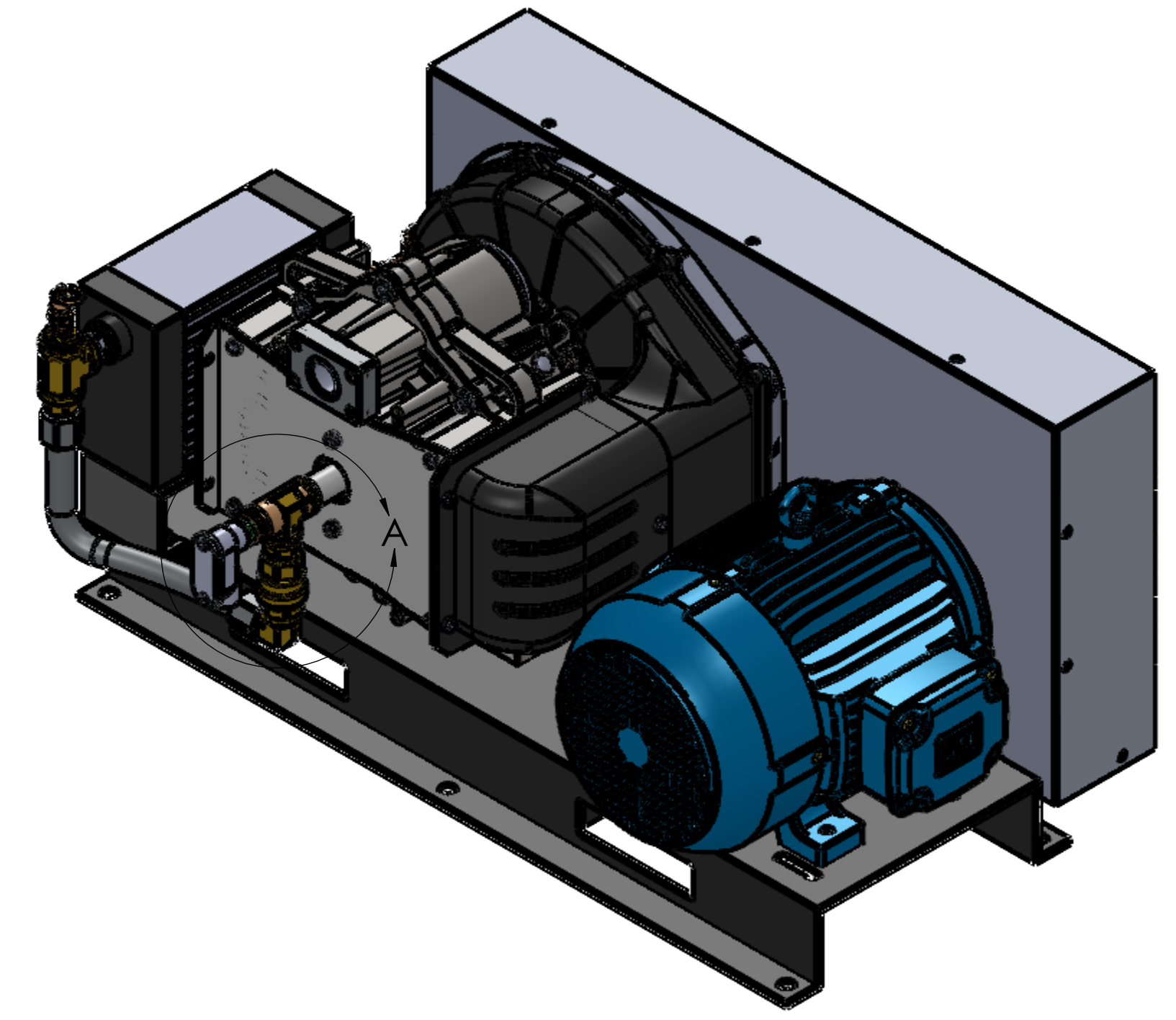


DETAIL A
SCALE 1 : 4



DETAIL B
SCALE 1 : 4



DETAIL C
SCALE 1 : 4

ITEM NO.	QTY.	PART NUMBER	DESCRIPTION	REF NOTE
1	1	211038	TEMP. SWITCH, 425F N.C.	
2	1	230084-LM	COMPRESSOR MODULE, AIR, SCROLL 7.5/10 HP LESS MOTOR	
3	1	230170	PULLEY, MOTOR SIDE 6.9" OD, 2" GROOVE 7.5 HP SCROLL COMPRESSOR	
4	1	230173	BUSHING, SURE-GRIP SDS 1-3/8" BORE SIZE	
5	2	230176	BELT, SCROLL 7.5 HP HIGH-PRESSURE, 3VX-540	
6	1	232258	PRESSURE RELIEF VALVE, 1/4" 175 PSIG	
7	1	244271	MOTOR, 7.5HP ODP 1800RPM 213T	
8	1	A-12541-1	ENTRANCE ELBOW W/ GASKET, 1/2" NPT	
9	2	B-12103-34	3\4" to 1\2" NPT BUSHING	
10	2	B-12105-5	3\4" NPT CLOSE NIPPLE	
11	2	B-12108-5	3\4" Threaded Tee	
12	1	B-12137-5	UNION, 3/4"	
13	1	BHT0 BALL VALVE	BALL VALVE, 3/4" NPT (INCLUDED WITH MODULE)	

REV	CR. NO.	DESCRIPTION OF CHANGE	DATE	BY
01	N/A	INITIAL RELEASE	03/14/2024	F.L.

<small>DO NOT SCALE DRAWING</small> <small>UNLESS OTHERWISE SPECIFIED:</small> <small>DIMENSIONS ARE IN INCHES AND</small> <small>TOLERANCES ARE:</small> <small>.XX ± 0.1</small> <small>.XXX ± 0.01</small> <small>X.XXX ± 0.005</small> <small>XXX ± 1"</small>	<small>DRAWN BY</small> F. Lopez <small>CHECKED BY</small> <small>APPROVED BY</small> <small>DATE</small> 03/14/2024	
<small>ITEM DESCRIPTION</small> AIR COMPRESSOR MODULE, 7.5 HP HIGH PRESSURE SCROLL, 208-230/460V	<small>SCALE</small> B	<small>REV</small> 01
<small>FILE NAME</small> 100-0228-HP.SLDDRW	<small>DWG SIZE</small> B	<small>SCALE</small> 1:8
<small>CONFIDENTIAL: THIS DRAWING AND THE DESIGN REPRESENTED THEREIN ARE THE PROPERTY OF OHIO MEDICAL, LLC AND HAS BEEN ISSUED WITH THE UNDERSTANDING THAT NEITHER DRAWING NOR THE INFORMATION THEREIN IS TO BE USED OR DISCLOSED, EITHER IN WHOLE OR IN PART, EXCEPT AS SPECIFICALLY AUTHORIZED BY OHIO MEDICAL, LLC AND SHALL BE RETURNED UPON REQUEST.</small>		<small>SHEET</small> 1 OF 1

REV 01
B 100-0228-HP