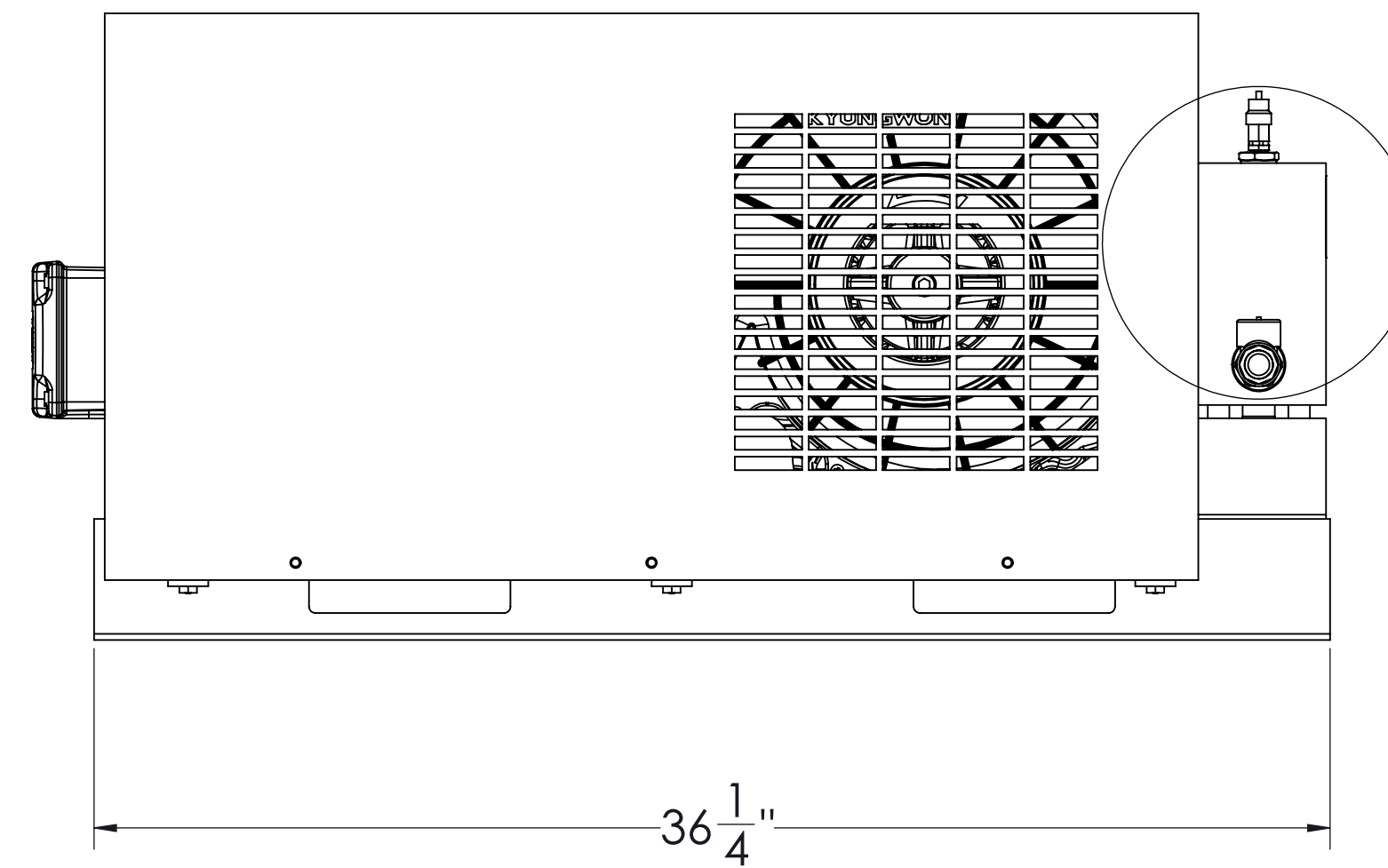
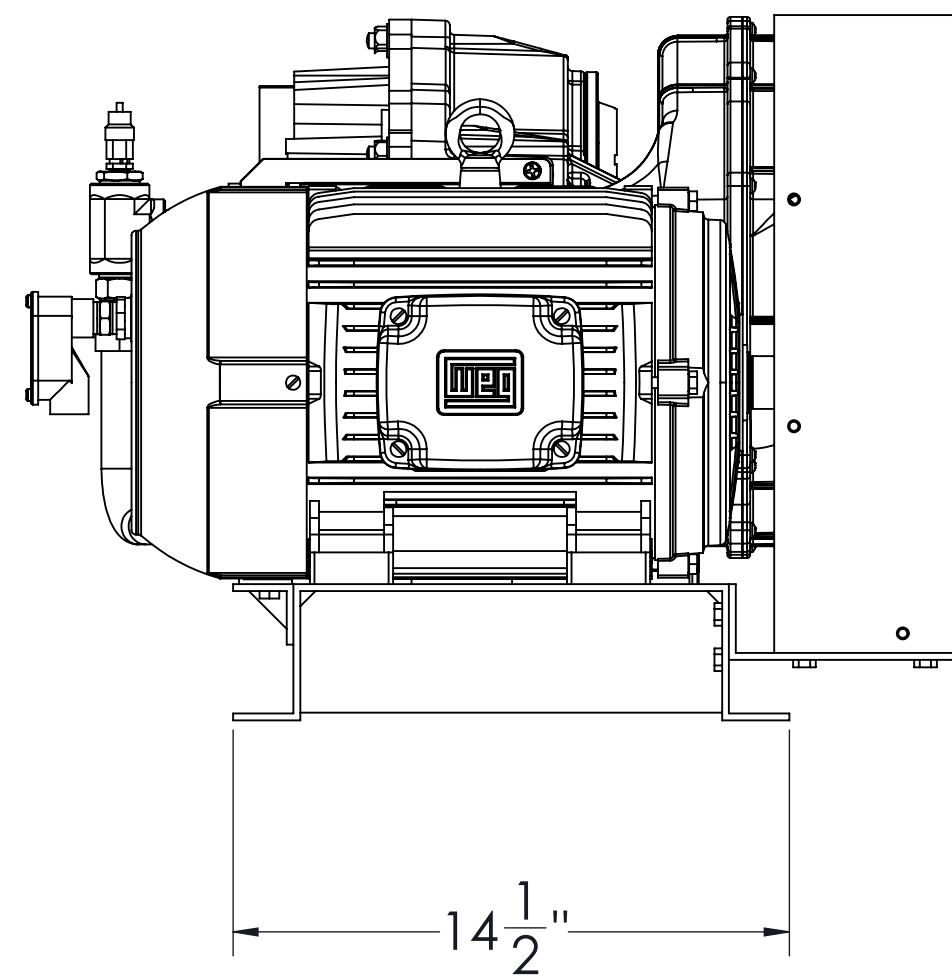
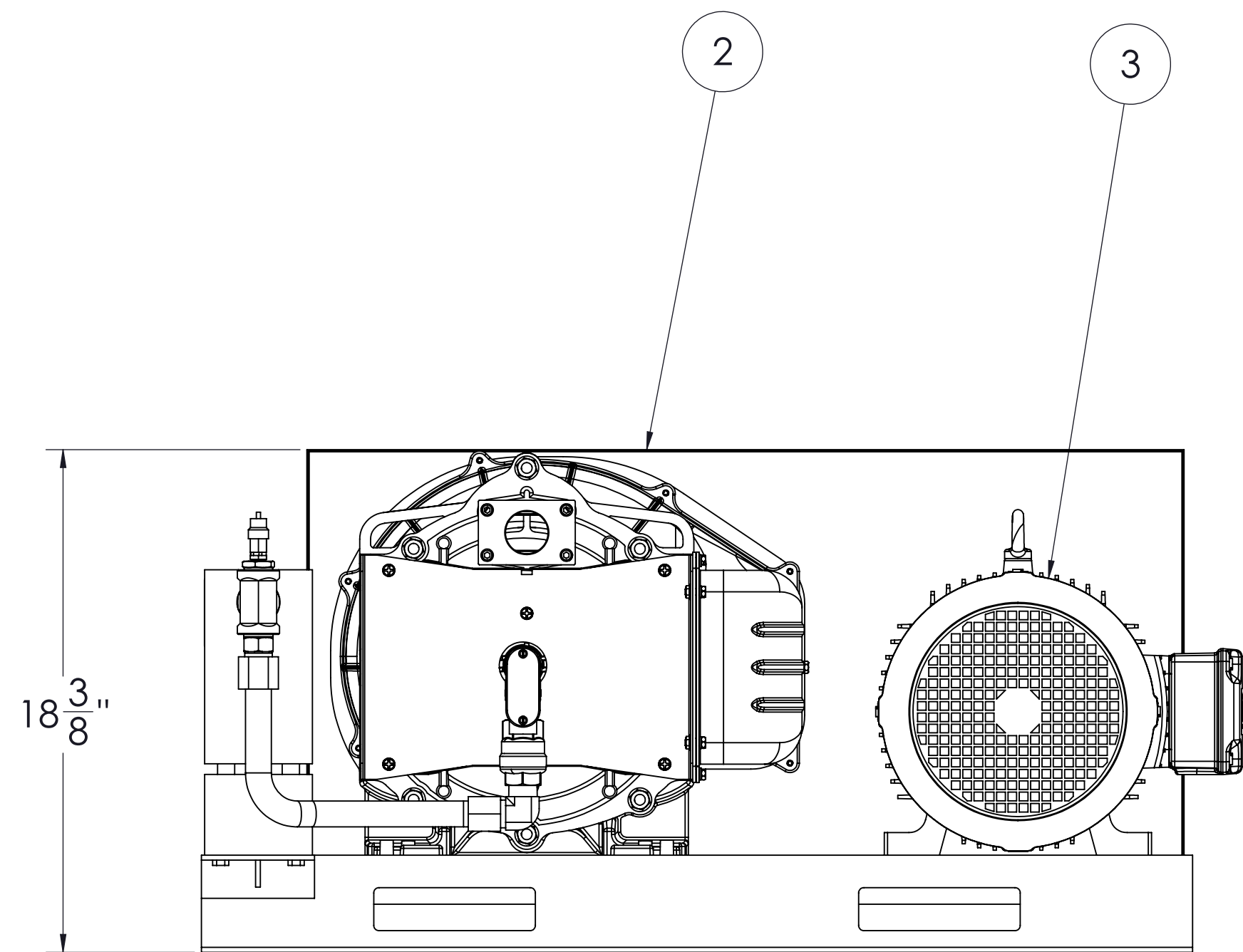
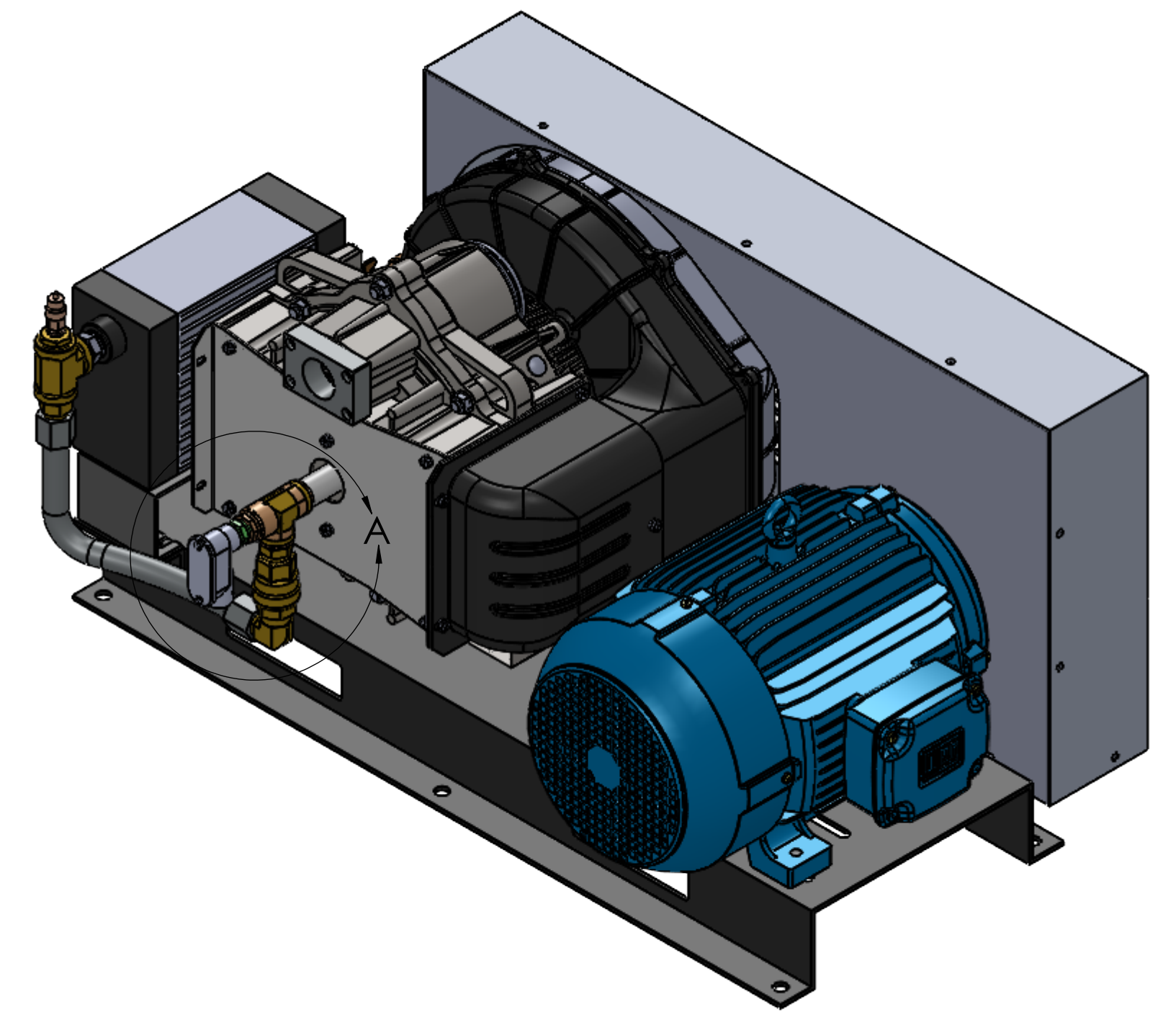
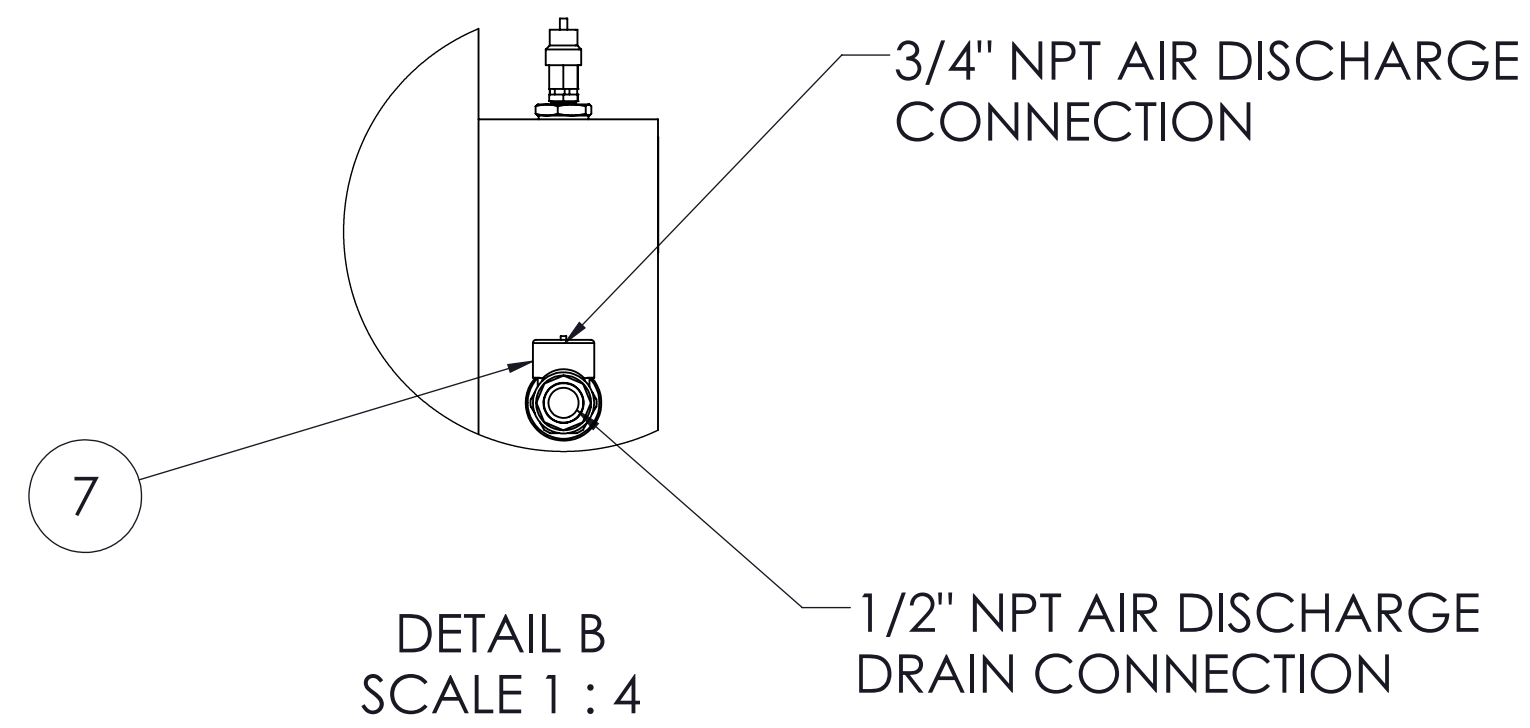
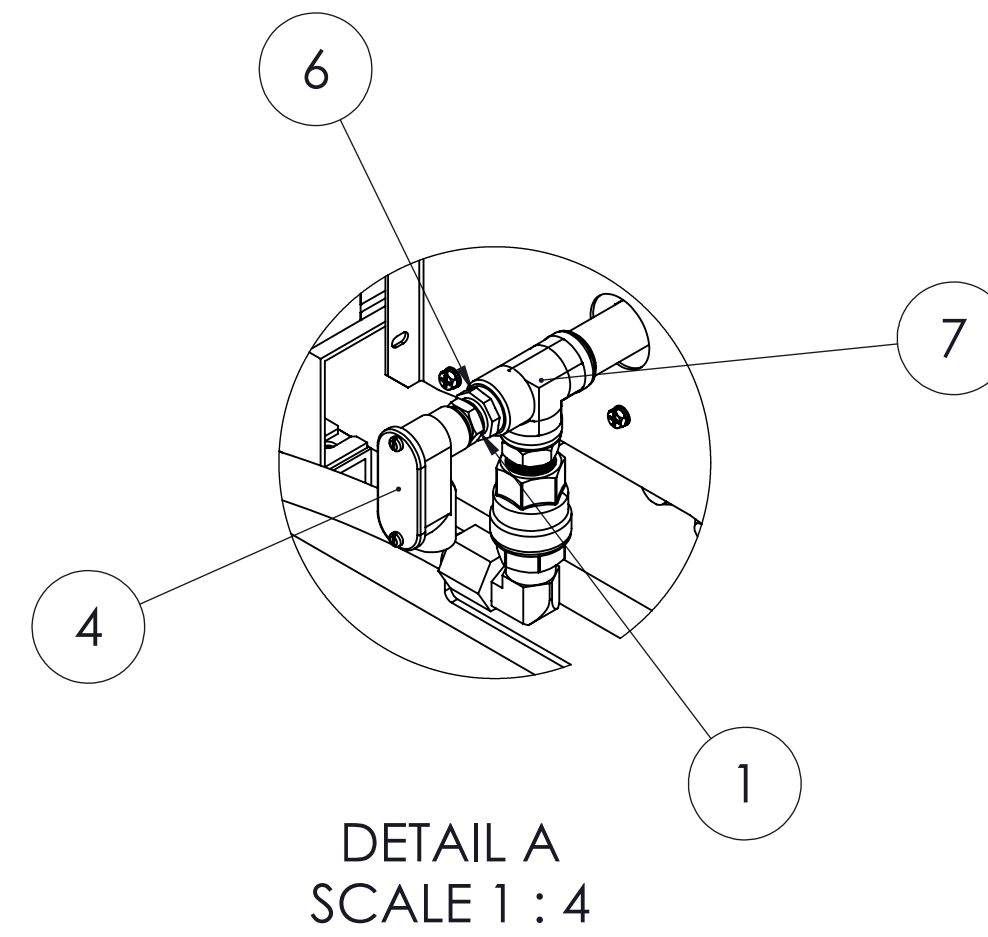
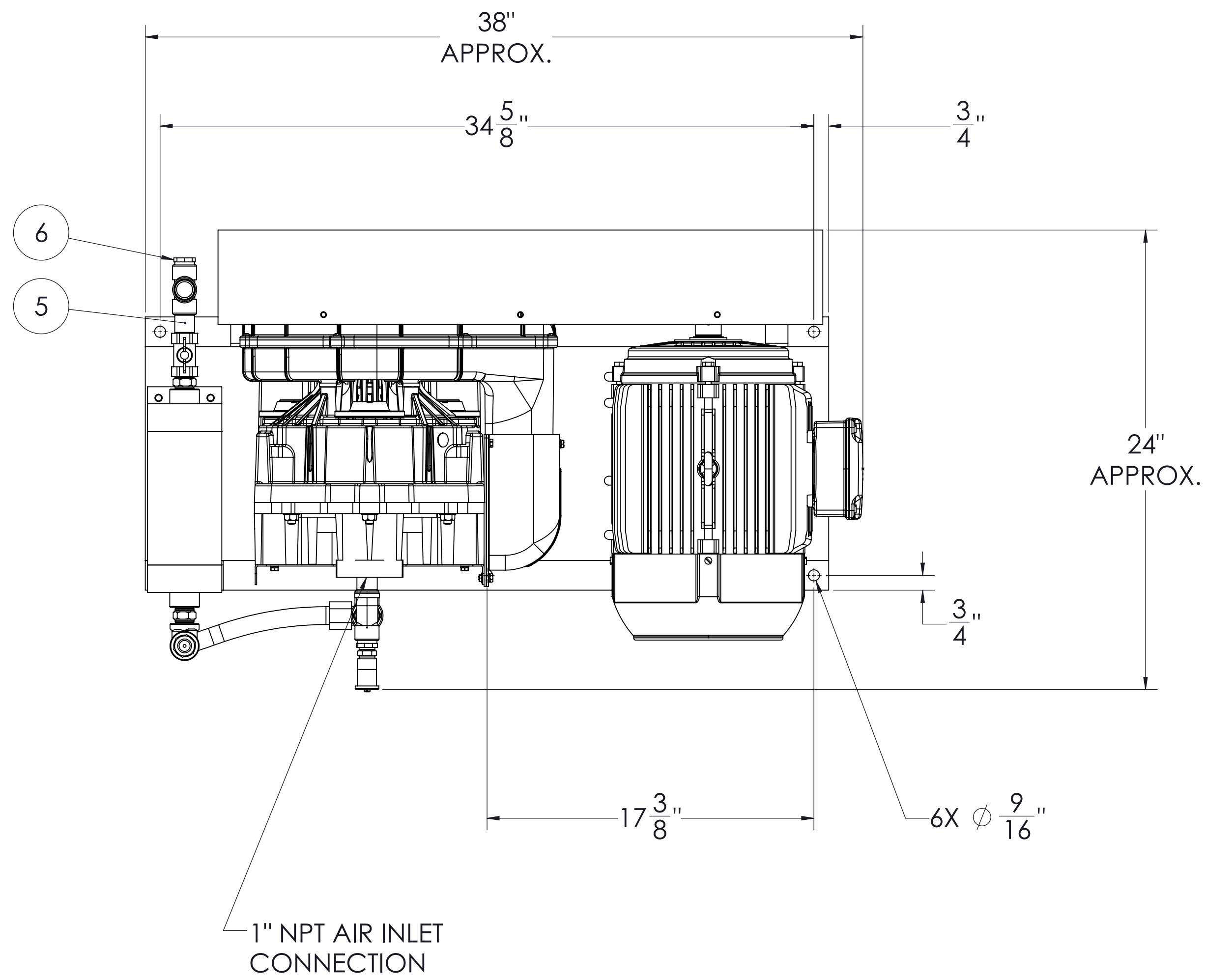


ITEM NO.	QTY.	PART NUMBER	DESCRIPTION	REF NOTE
1	1	211038	TEMP. SWITCH, 425F N.C.	
2	1	230084-LM	COMPRESSOR MODULE, AIR, SCROLL 7.5/10 HP LESS MOTOR	
3	1	244272	MOTOR, 10HP ODP 1800 RPM 215T	
4	1	A-12541-1	ENTRANCE ELBOW W/ GASKET, 1/2" NPT	
5	1	B-12102-7	.75 X 2" NPT BRASS NIPPLE	
6	2	B-12103-34	3/4 TO 1/2" NPT BUSHING	
7	2	B-12108-5	3/4" Threaded Tee	



REV	CR. NO.	DESCRIPTION OF CHANGE	DATE	BY
01	N/A	INITIAL RELEASE	12/05/2022	F.L.

<small>DO NOT SCALE DRAWING</small> <small>UNLESS OTHERWISE SPECIFIED</small> <small>DIMENSIONS ARE IN INCHES AND</small> <small>TOLERANCES ARE:</small> <small>.XX ± 0.1</small> <small>.XXX ± 0.01</small> <small>X.XXX ± 0.005</small> <small>XXX ± .1°</small>	<small>DRAWN BY</small> F. Lopez	<small>DATE</small> 12/05/2022	
<small>CHECKED BY</small> 	<small>DATE</small> 	<small>APPROVED BY</small> 	
<small>DATE</small> 	<small>DATE</small> 	<small>DATE</small> 	

<small>ITEM DESCRIPTION</small> AIR COMPRESSOR MODULE, 10 HP SCROLL, 208-230/460V	<small>SCALE</small> 1:8	<small>REV</small> 01
<small>FILE NAME</small> 100-0229.SLDDRW	<small>DWG SIZE</small> B	<small>DRAWING NUMBER</small> 100-0229
<small>SHEET</small> 1 OF 1		<small>SHEET</small> 1 OF 1

REV 01
100-0229