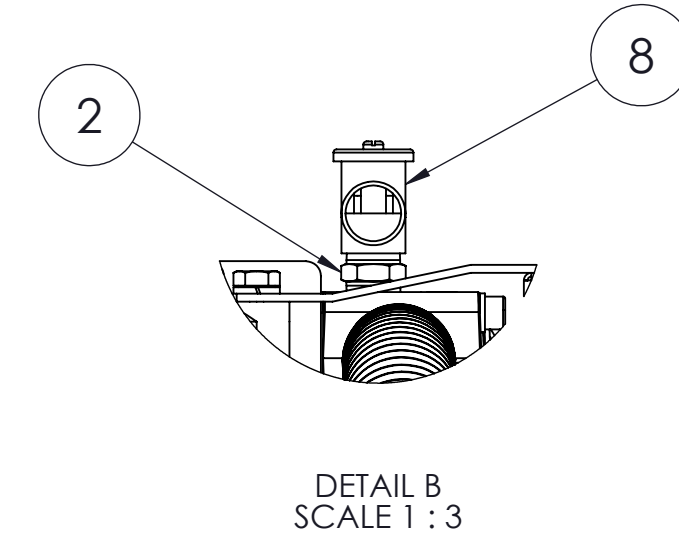
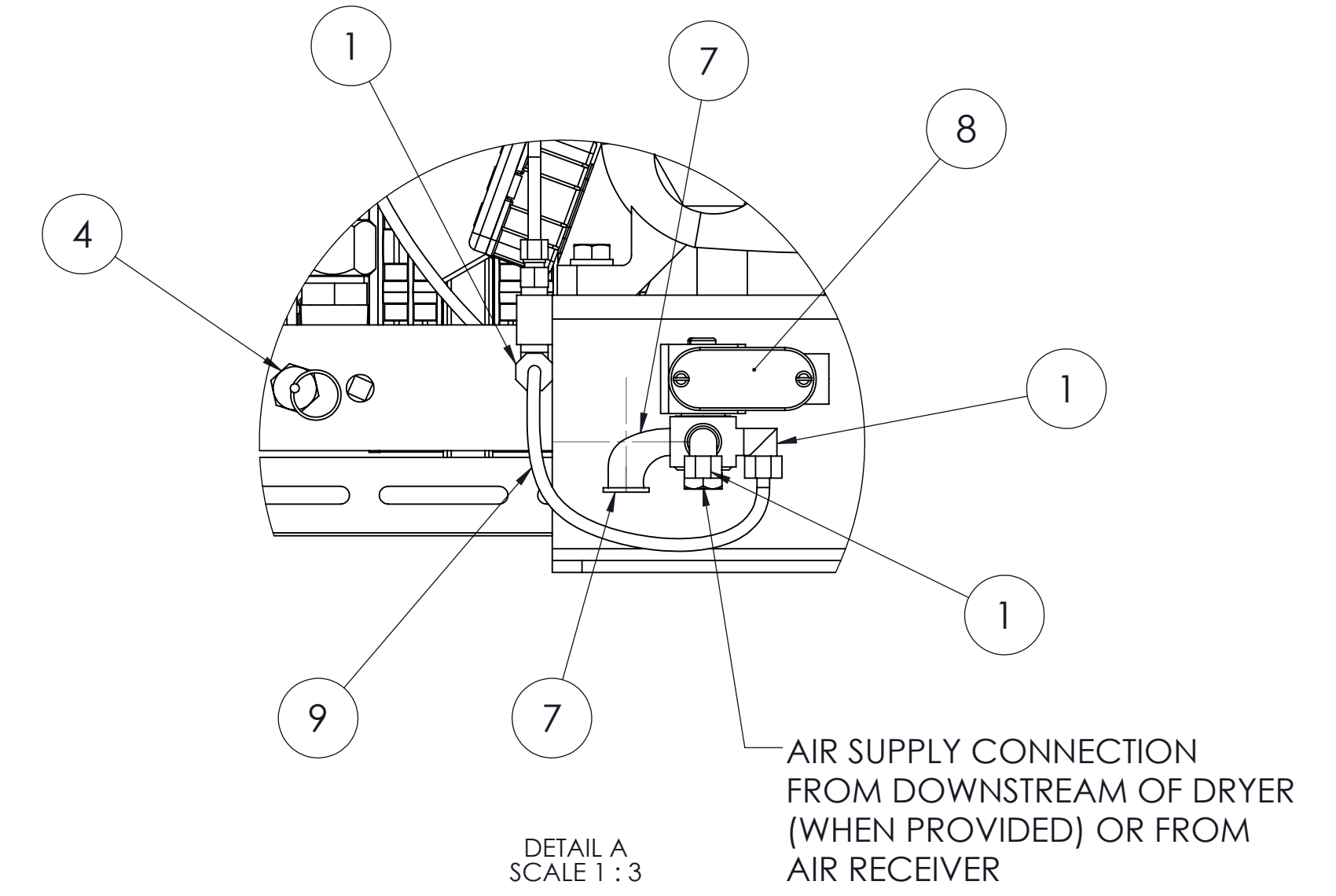
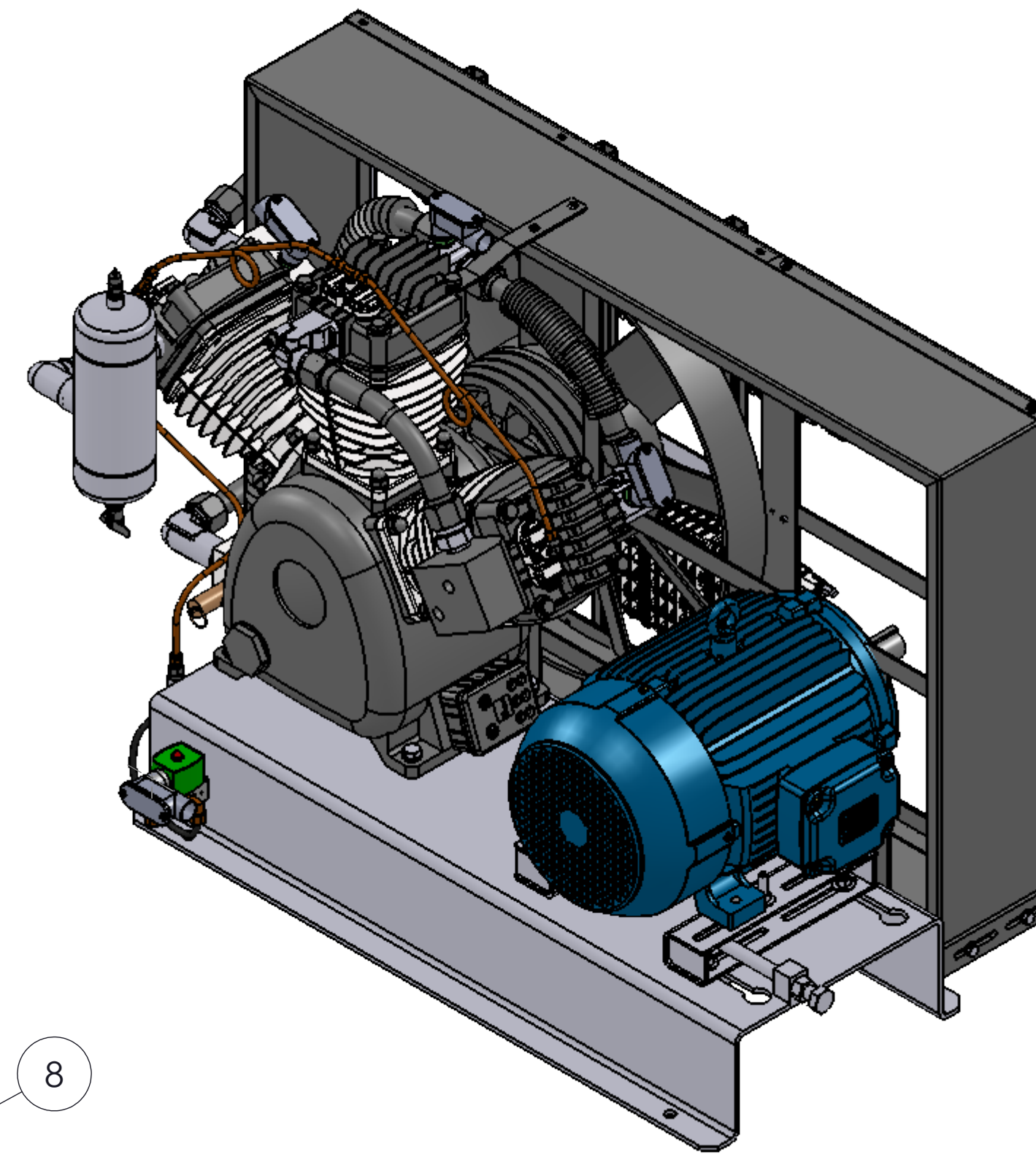
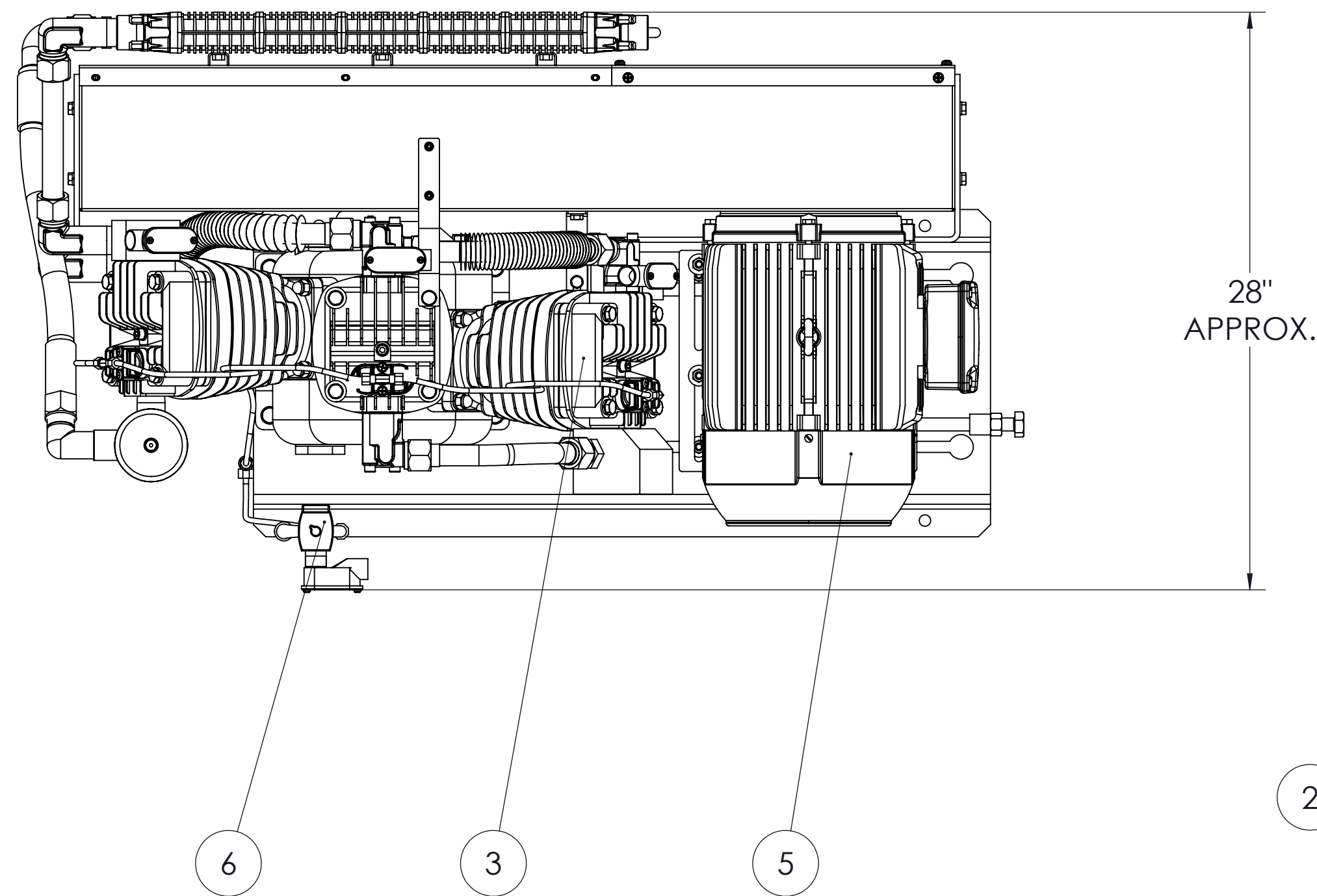
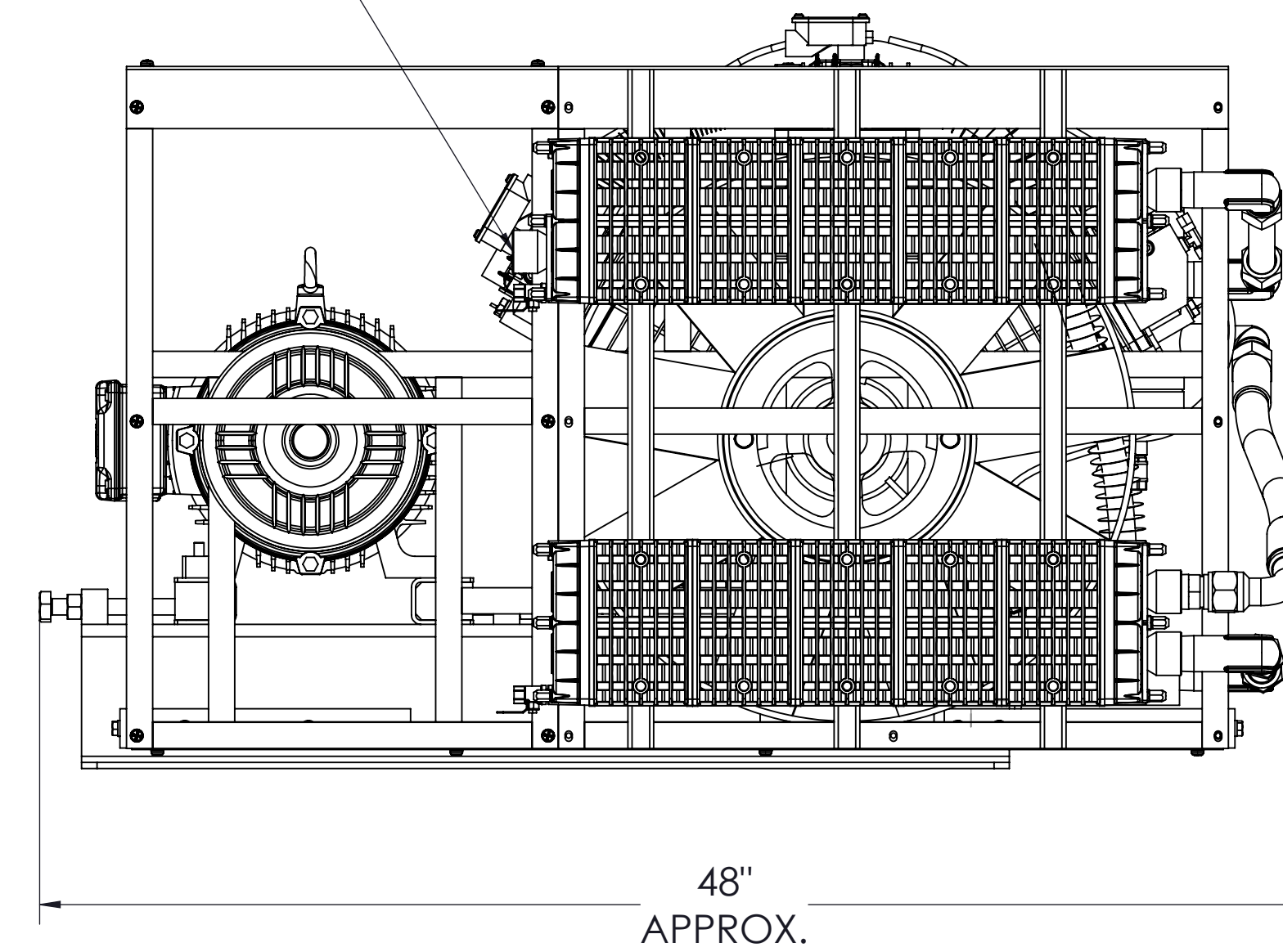
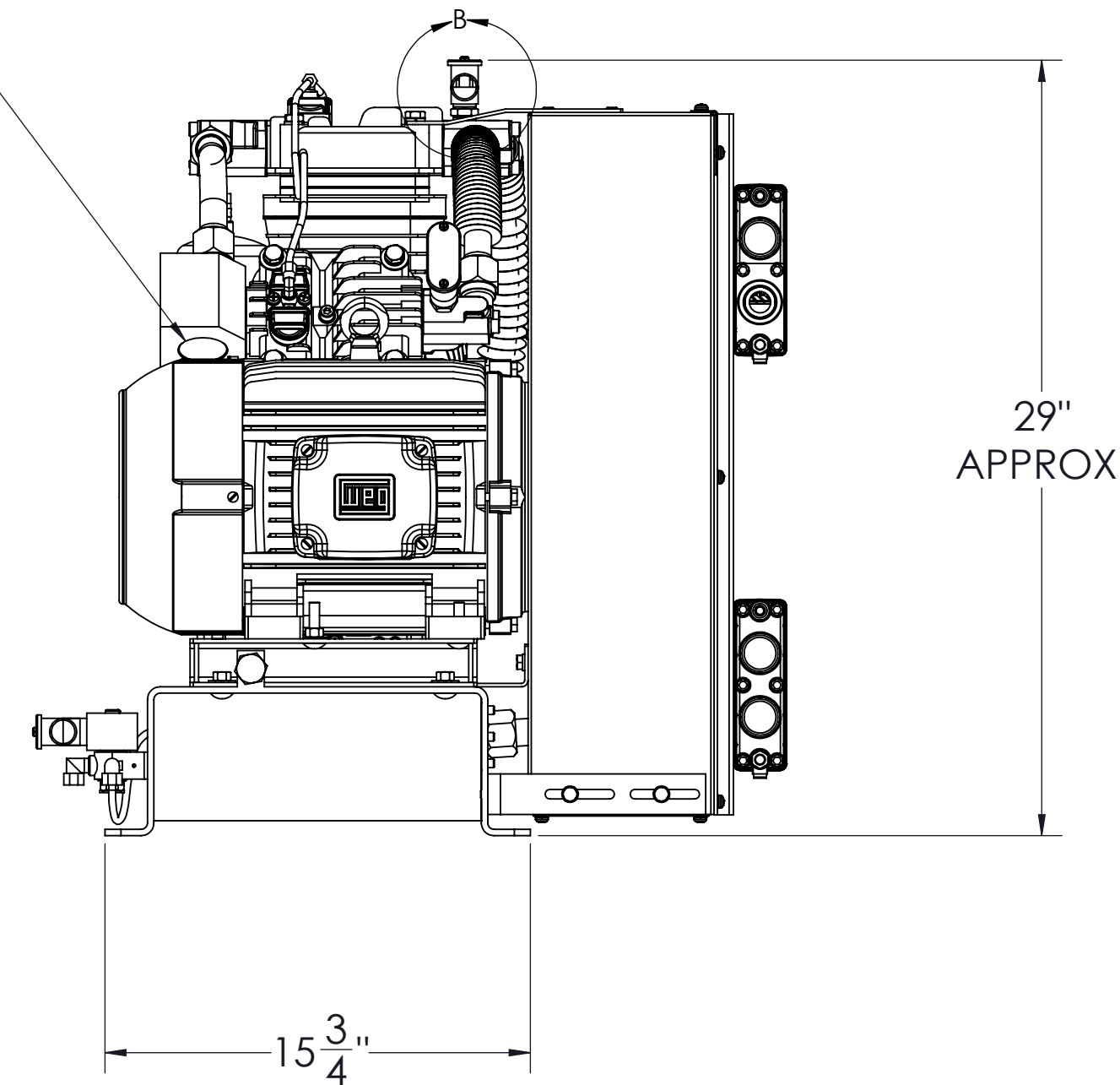
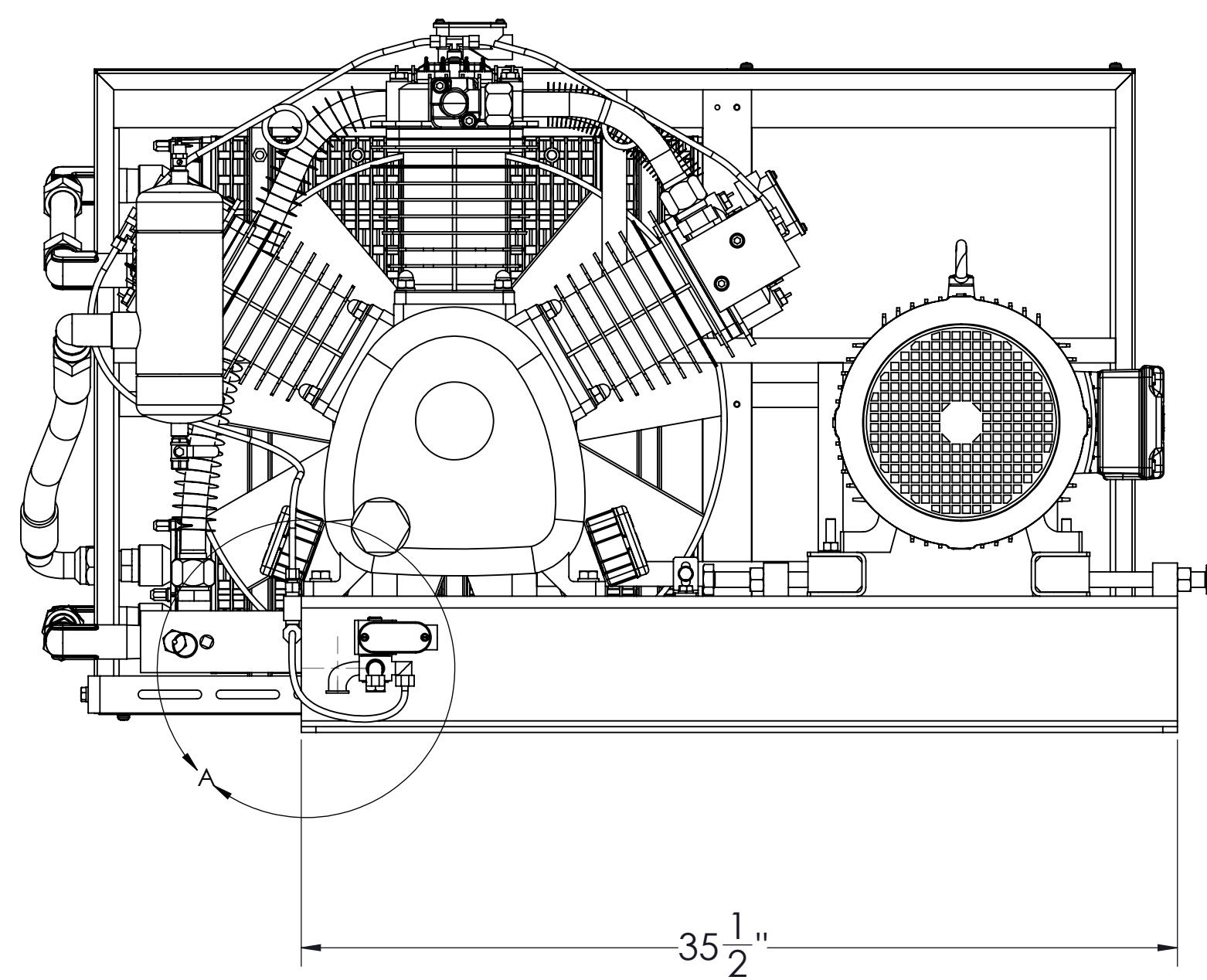


ITEM NO.	QTY.	PART NUMBER	DESCRIPTION	REF NOTE
1	3	101073-2	1/4" NPT MALE ELBOW, COMPRESSION	
2	3	211038	TEMP. SWITCH, 425F N.C.	
3	1	230162	COMPRESSOR MODULE, OMC, 10HP 2-STAGE, SIMPLEX LESS MOTOR	
4	1	232266	RELIEF VLV, 1/2" 175 PSIG/316 SCFM	
5	1	244272	MOTOR, 10HP ODP 1800 RPM 215T	
6	1	246029	SOLENOID VALVE, 1/4" 3-WAY	
7	1	A-12100-2	1/2" NPT STREET ELBOW	
8	4	A-12541-1	ENTRANCE ELBOW W/ GASKET, 1/2" NPT	
9	1	A-12616-1	TUBING, 1/4" O.D. POLYETHYLENE (12" LONG)	



1-1/2" NPT AIR INLET CONNECTION

1" NPT AIR DISCHARGE CONNECTION



01	N/A	INITIAL RELEASE	07/24/19	F.L.
REV	ECO NO.	DESCRIPTION OF CHANGE	DATE	BY
DO NOT SCALE DRAWING		DRAWN BY	DATE	
UNLESS OTHERWISE SPECIFIED, DIMENSIONS ARE IN INCHES AND TOLERANCES ARE:		F. LOPEZ	07/24/19	
.XX ± 0.050		CHECKED BY	DATE	
.XXX ± 0.020		APPROVED BY	DATE	
XXXX ± 0.005				
THIRD ANGLE PROJECTION				
MATERIAL	N/A			
FINISH	N/A			
FILE NAME	100-0262.SLDDRW			
		MODEL PT10-M		
DWG SIZE	DRAWING NUMBER	REV		
B	100-0262	01		
SCALE: 1:8		SHEET 1 OF 1		

CONFIDENTIAL: THIS DRAWING AND THE DESIGN REPRESENTED THEREIN ARE THE PROPERTY OF OHIO MEDICAL AND HAS BEEN ISSUED WITH THE UNDERSTANDING THAT NEITHER DRAWING NOR THE INFORMATION THEREIN IS TO BE USED OR REPRODUCED, EITHER IN WHOLE OR IN PART, EXCEPT AS SPECIFICALLY AUTHORIZED BY OHIO MEDICAL AND SHALL BE RETURNED UPON REQUEST.

REV 01
B 100-0262