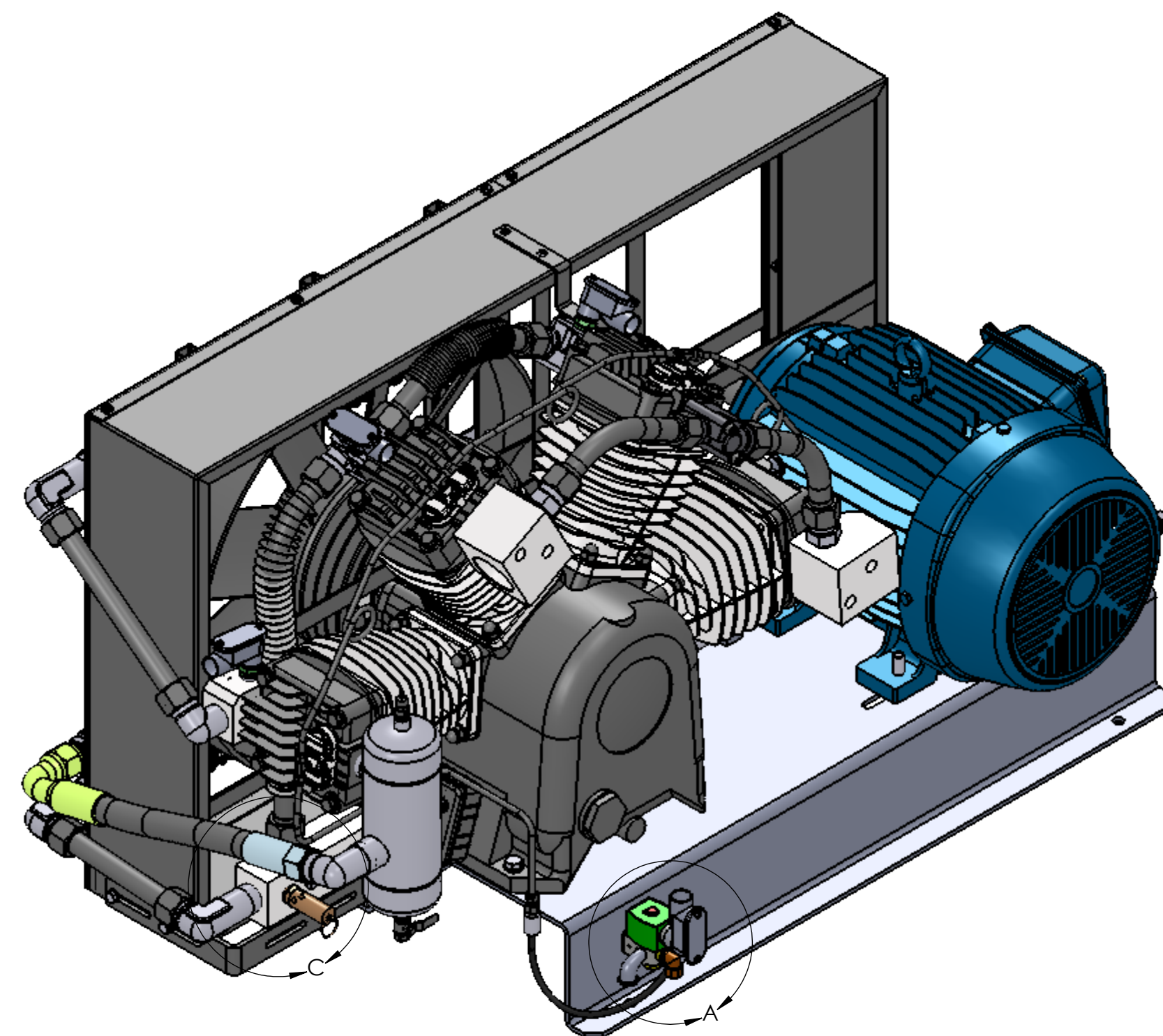
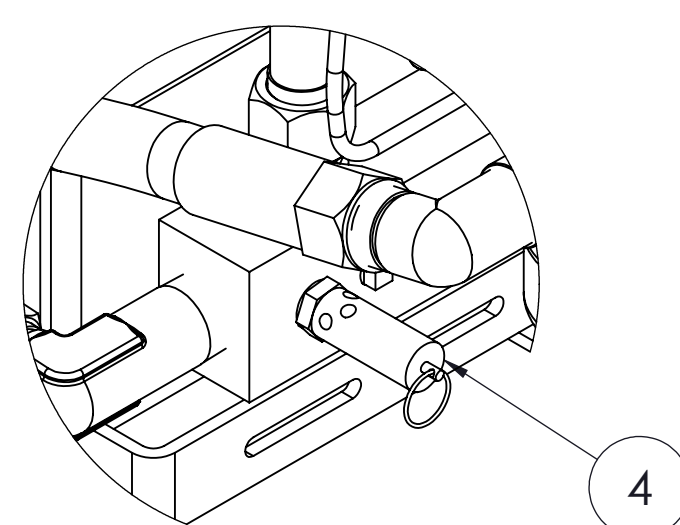


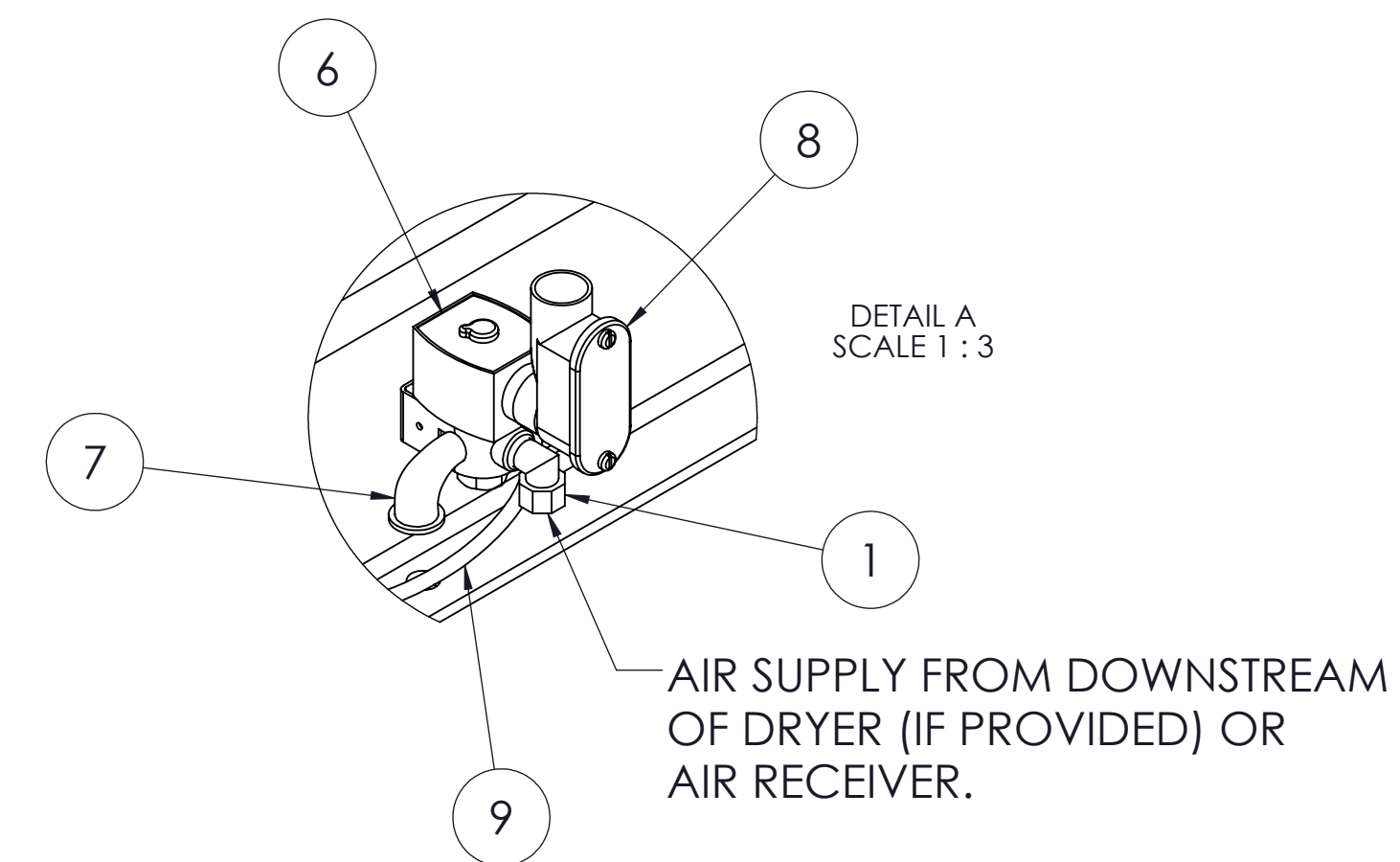
29"
APPROX.



| ITEM NO. | QTY. | PART NUMBER | DESCRIPTION | REF NOTE |
|----------|------|-------------|---|----------|
| 1 | 2 | 101073-2 | 1/4" NPT MALE ELBOW, COMPRESSION | |
| 2 | 4 | 211038 | TEMP. SWITCH, 425F N.C. | |
| 3 | 1 | 230163 | COMP. MODULE, OMC, 15HP 2-STAGE, SIMPLEX LESS MOTOR | |
| 4 | 1 | 232266 | RELIEF VLV, 1/2" 175 PSIG/316 SCFM | |
| 5 | 1 | 244273 | MOTOR, 15HP ODP 1800 RPM 254T | |
| 6 | 1 | 246029 | SOLENOID VALVE, 1/4" 3-WAY | |
| 7 | 1 | A-12100-2 | 1/2" NPT STREET ELBOW | |
| 8 | 5 | A-12541-1 | ENTRANCE ELBOW W/ GASKET, 1/2" NPT | |
| 9 | 1 | A-12616-1 | TUBING, 1/4" O.D. POLYETHYLENE (12" LONG) | |



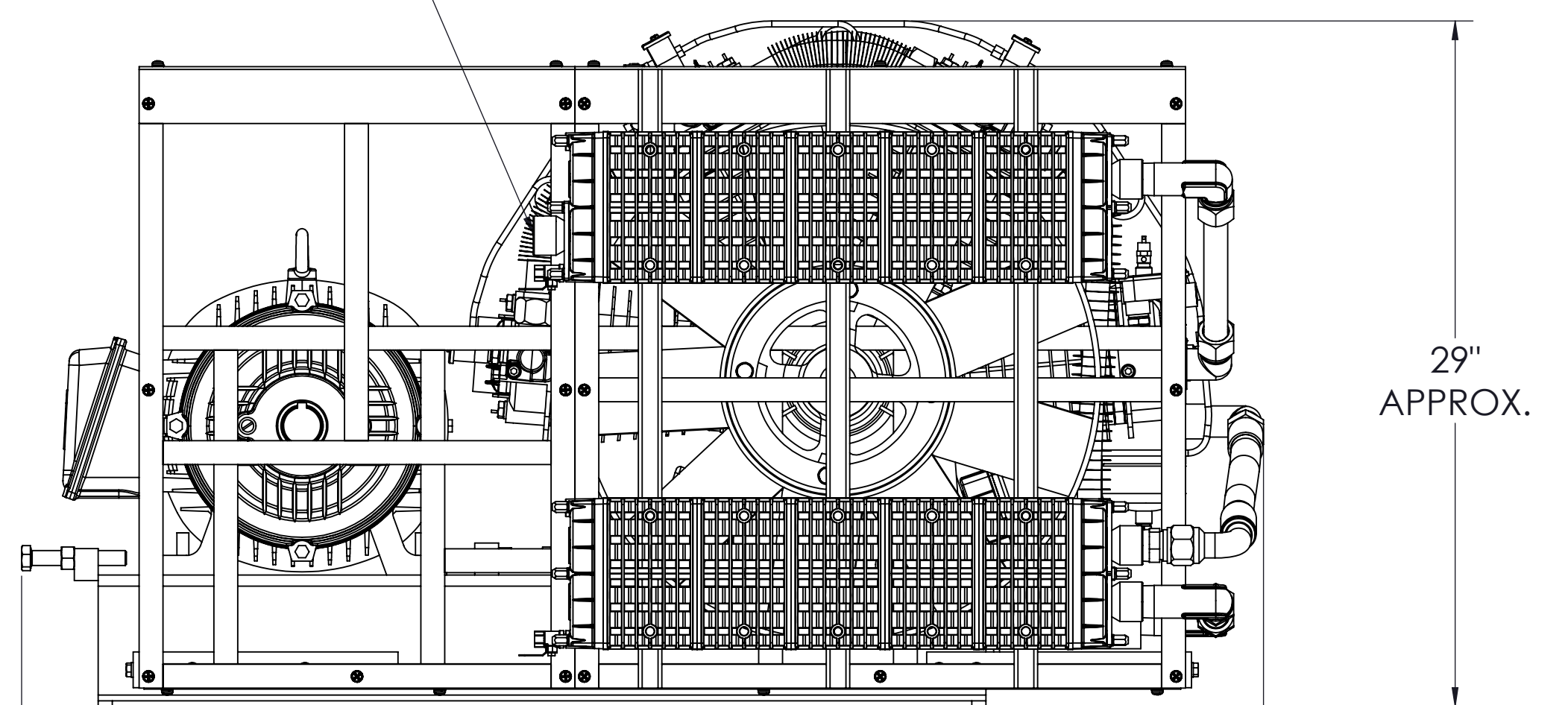
DETAIL C
SCALE 1:3



DETAIL A
SCALE 1:3

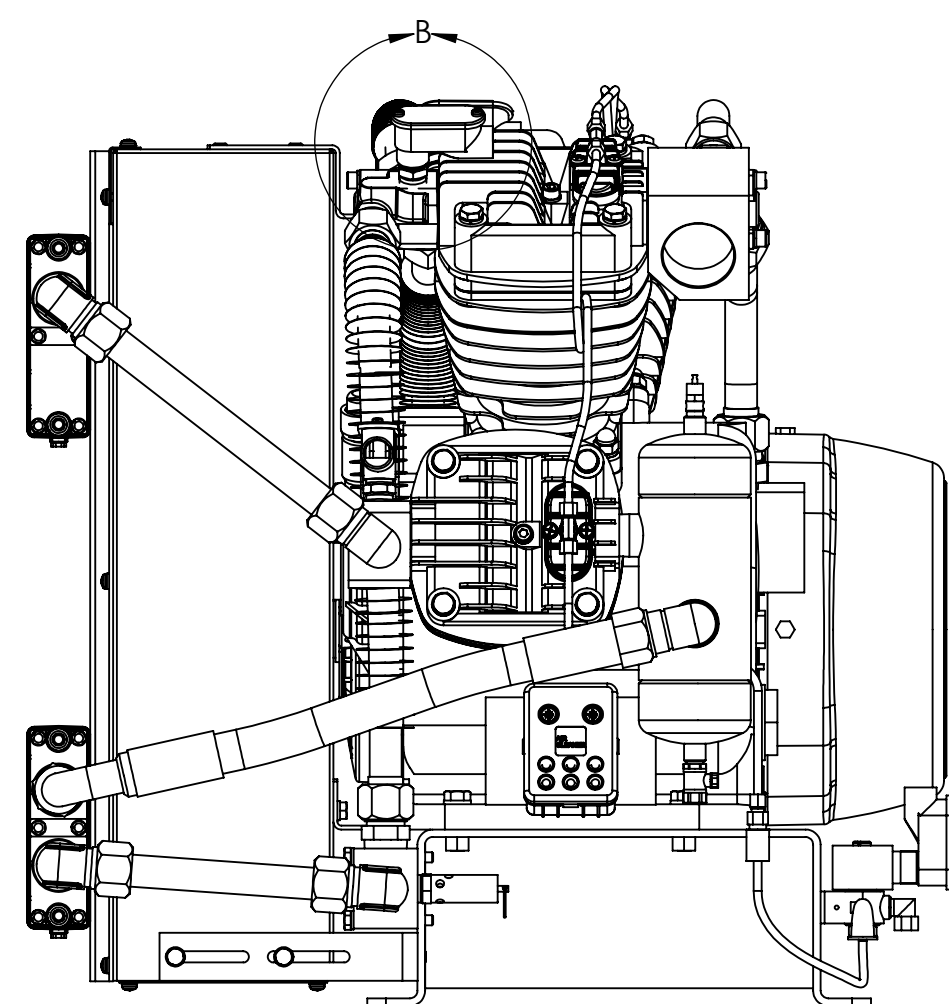
AIR SUPPLY FROM DOWNSTREAM OF DRYER (IF PROVIDED) OR AIR RECEIVER.

1" NPT AIR DISCHARGE CONNECTION



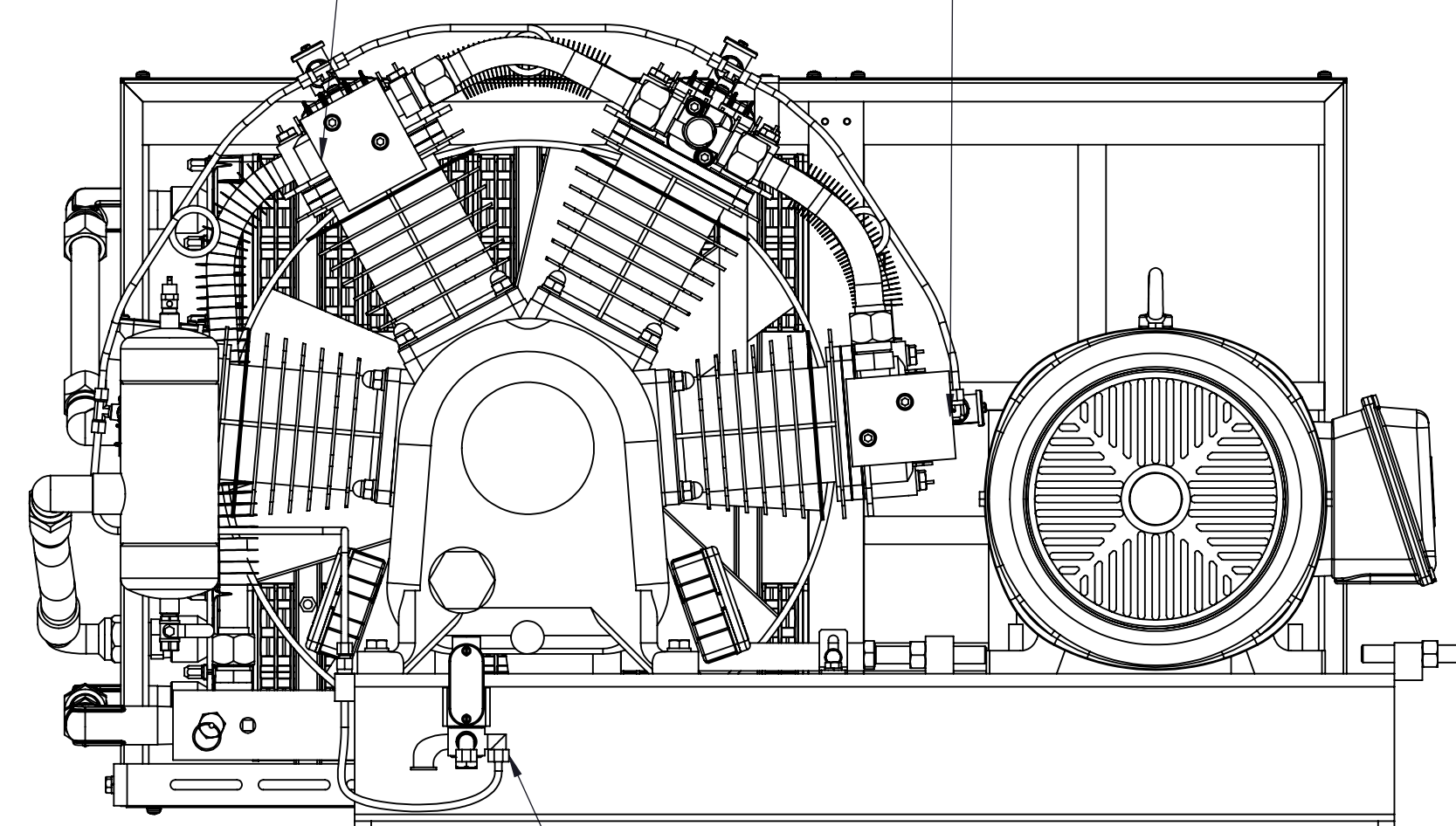
29"
APPROX.

52"
APPROX.

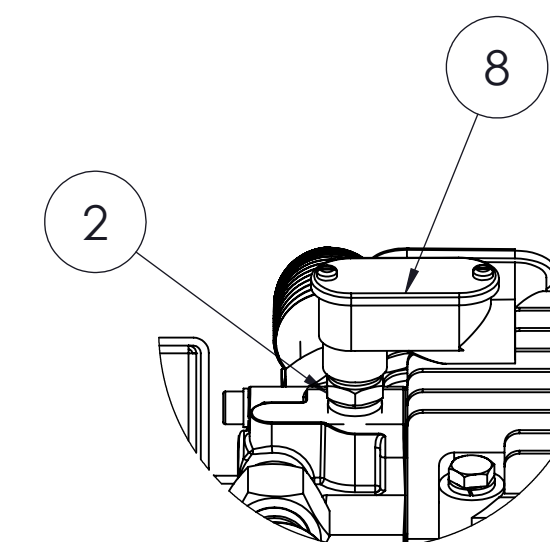


15 ³/₄"

2" NPT AIR INLET CONNECTION
2-OPTIONAL LOCATIONS



37 ¹/₄"



DETAIL B
SCALE 1:3

HIGH AIR TEMPERATURE SWITCH INSTALLATION

| REV | CR. NO. | DESCRIPTION OF CHANGE | DATE | BY |
|-----|---------|-----------------------|----------|------|
| 01 | N/A | INITIAL RELEASE | 06/19/20 | F.L. |

| | | |
|---|--|--------------------------------|
| <small>DO NOT SCALE DRAWING UNLESS OTHERWISE SPECIFIED. DIMENSIONS ARE IN INCHES AND TOLERANCES ARE: .XX ± 0.1 .XXX ± 0.01 X.XXX ± 0.005 XXX ± 1"</small> | <small>DRAWN BY</small> F. LOPEZ <small>CHECKED BY</small> <small>DATE</small> 06/19/20 <small>APPROVED BY</small> <small>DATE</small> | |
| <small>ITEM DESCRIPTION</small> AIR COMPRESSOR MODULE, 15HP HIGH PRESSURE RECIPR. AIR 208-230/460V | <small>SCALE</small> 1:3 | <small>REV</small> 01 |
| <small>FILE NAME</small> 100-0263.SLDDRW | <small>DWG SIZE</small> B | <small>SHEET</small> 1 OF 1 |

REV 01
100-0263
B