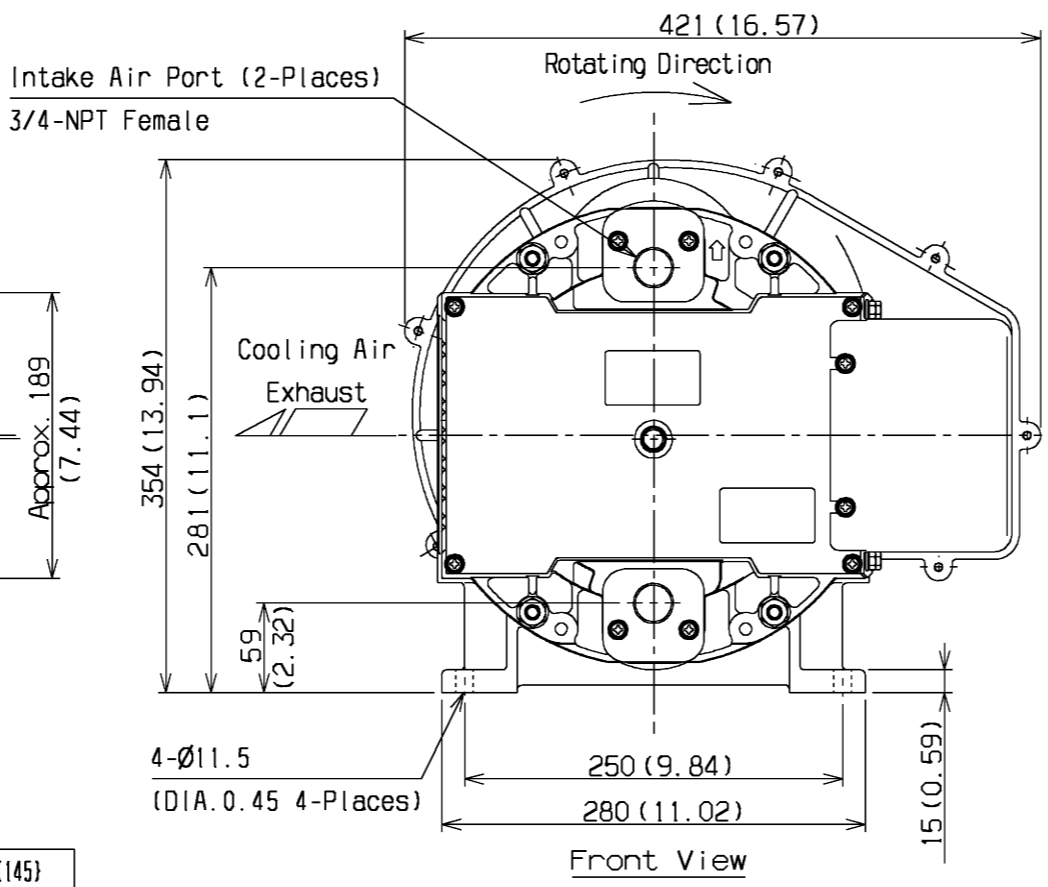
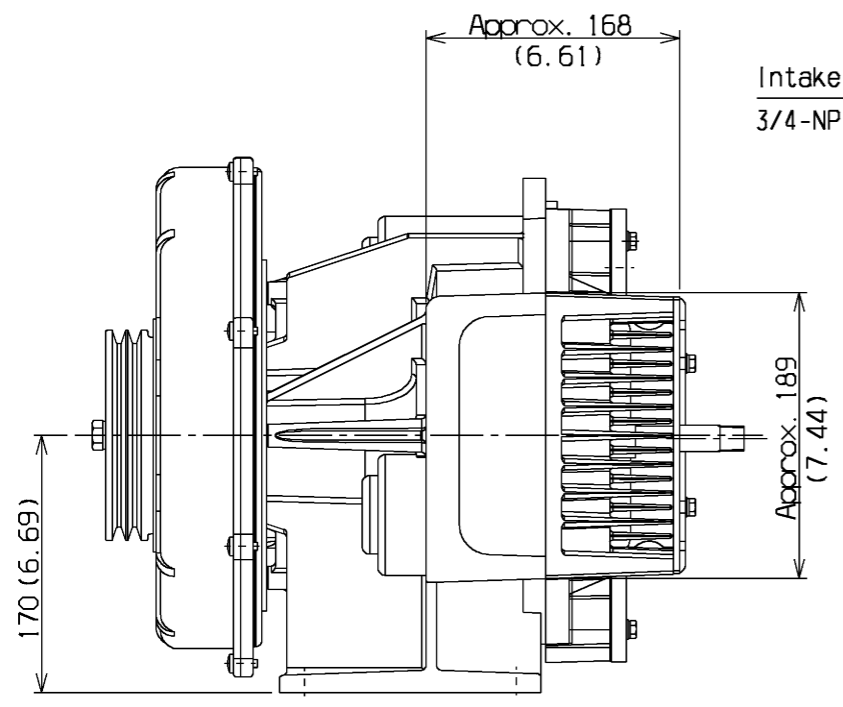
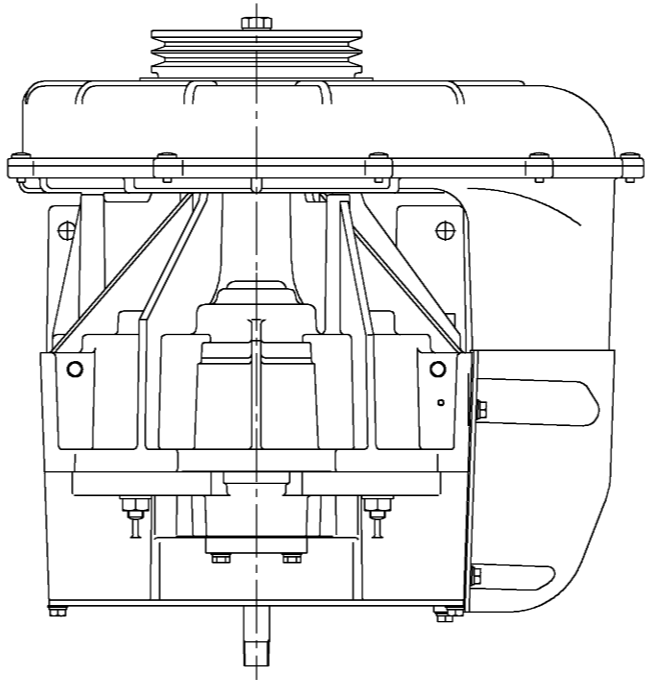
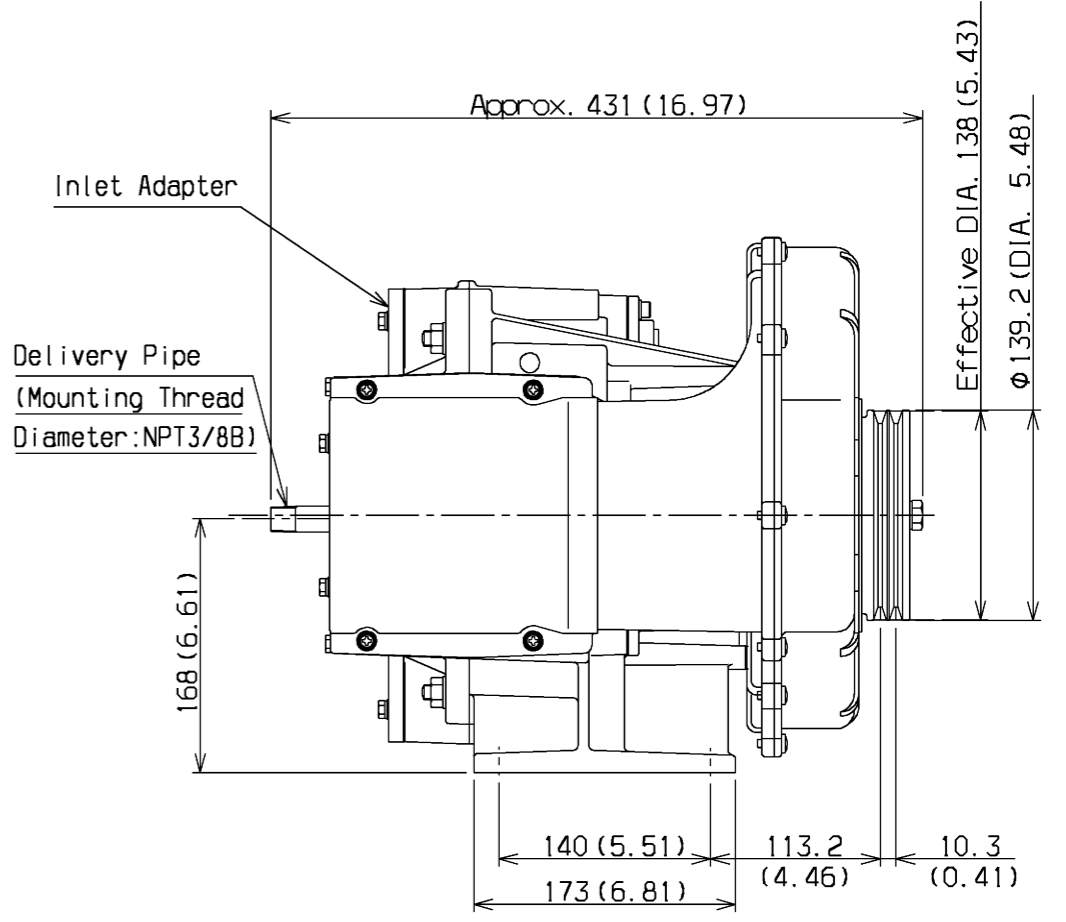


Rear View



Front View



Maximum Pressure	MPa(Psig)	0.83 (120)	1.0 (145)
Revolution	min <sup>-1</sup>	3.7 kW(5HP)	2,200
		5.5 kW(7.5HP)	3,180
Free Air Delivery	m <sup>3</sup> /min(CFM)	3.7 kW(5HP)	0.40 (14.13)
		5.5 kW(7.5HP)	0.60 (21.19)
Cooling Air Capacity	m <sup>3</sup> /min(CFM)	3.7 kW(5HP)	9 (317.8)
		5.5 kW(7.5HP)	13 (459.1)
V-Belt		3.7 kW(5HP)	3VX x 1
		5.5 kW(7.5HP)	3VX x 2
Weight	kg(Lb)	27.5 (61)	

NOTE) Free Air Delivery(FAD) indicates the flowrate converted in suction condition at maximum pressure.

[Dimension in mm. ( ):inch]

5 / 7.5 HP MODEL				Part # 230220
DRAWN	A.Kanaizumi	Oct-19-'15	SCALE 1:5	3K-10561
CHECKED	M.Uriuda	Oct-19-'15		
APPROVED	T.Katsumoto	Oct-19-'15		