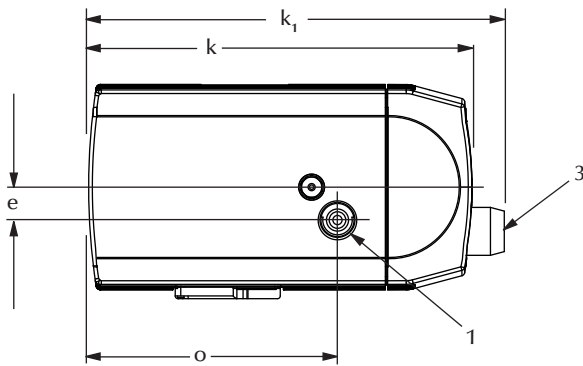
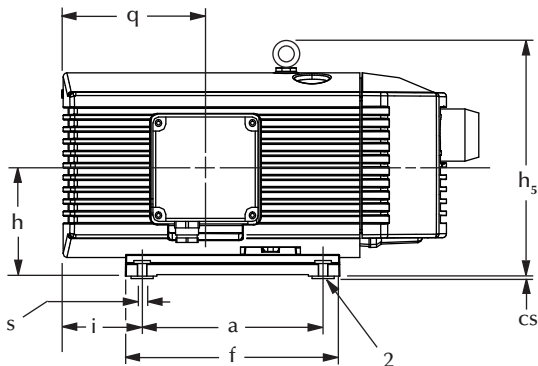


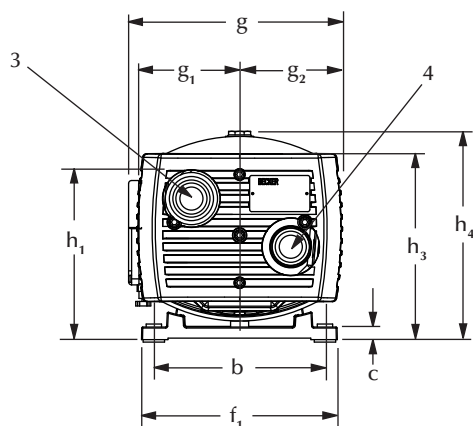
## TECHNICAL DATA



Top View



Side View



End View (Opposite Motor End)

All data based on 60 Hz operation

	D1	D15	D2
Flow (SCFM @ 0 in. Hg)	11	18	28
Horsepower	0.94	1.2	2
Speed (RPM)	1740	1740	1740
Max. Cont. Vacuum (in. HgV)	25	25	25
Weight (lbs.)—w/ motor*	50	57.2	84.7
Noise Level (Max. dBA)	64	67	72
Inlet size (BSP, inches)	1/2	3/4	3/4
<b>Dimensional Data</b>	<b>(Inches)</b>		
a	7.95	8.66	8.66
b	4.92	8.19	8.19
c	0.6	0.6	0.6
cs	0.12	0.12	0.12
e	1.38	1.57	1.57
f	9.53	10.24	10.24
f <sub>1</sub>	6.1	9.37	9.37
g	9.1	10.23	11.03
g <sub>1</sub>	4.03	4.92	4.92
g <sub>2</sub>	4.03	4.92	4.92
h	4.45	5.51	5.51
h <sub>1</sub>	7.4	8.9	8.9
h <sub>3</sub>	7.32	8.9	8.9
h <sub>4</sub>	8.07	9.84	9.84
h <sub>5</sub>	8.3	11.42	11.42
i	2.88	3.78	5.15
k	16.38	18.31	20.95
k <sub>1</sub>	17.8	19.89	22.53
o	11.48	11.91	14.31
q	5.97	6.81	7.56
s	0.27	0.27	0.27

\* Overall specifications for single phase units may vary. Contact factory for information. Manufacturer reserves right to alter data without notice.

- 1 - Inlet Port
- 2 - Vibration Isolator
- 3 - Vacuum Regulating Valve
- 4 - Exhaust Air Silencer