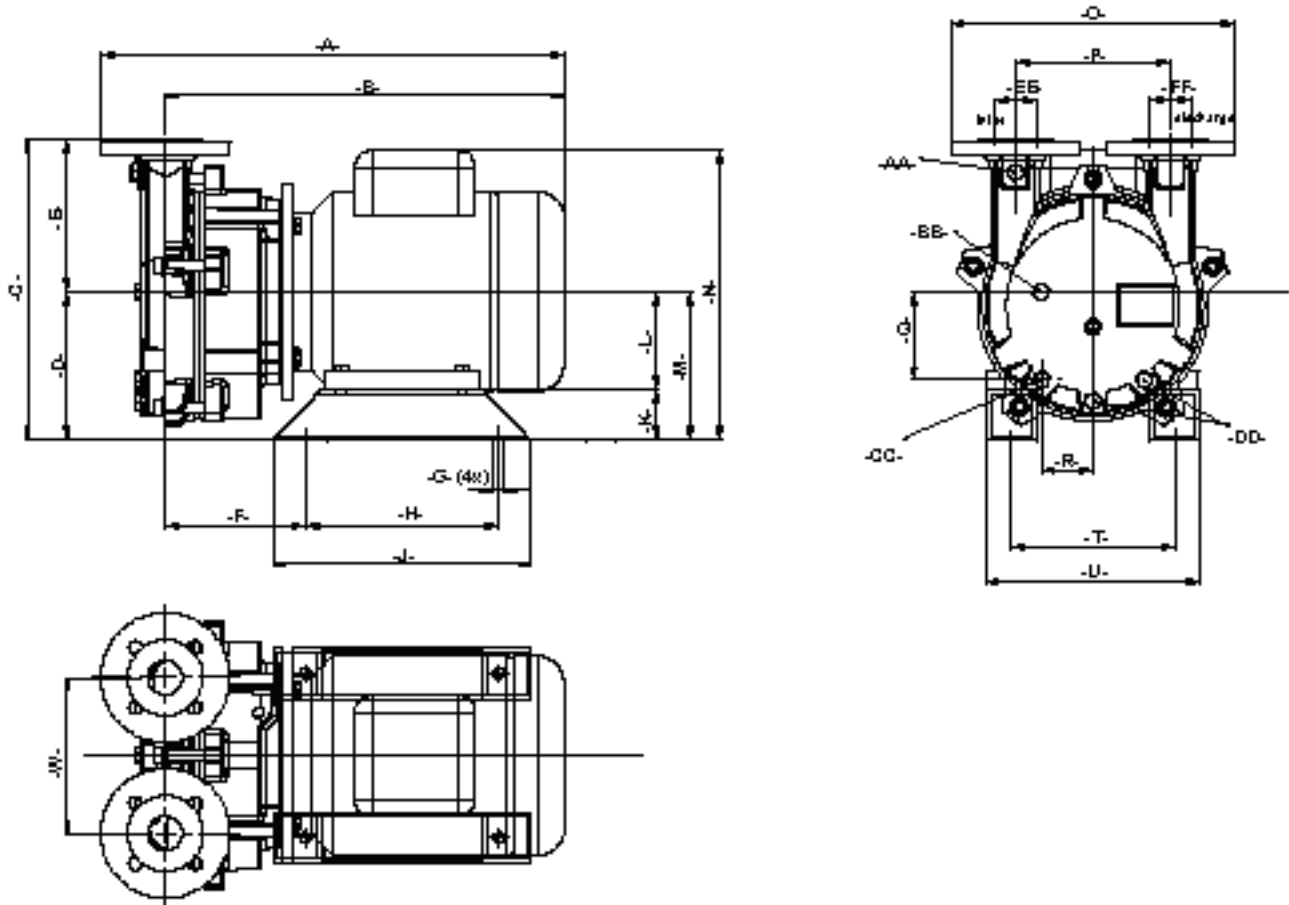


# Liquid Ring Vacuum Pump SM40 thru SM100 Dimensions



Model #	HP	A	B	C	D	E	F	G	H	J	K	L
SM40A	4	21.18	18.22	13.66	6.77	6.88	6.39	0.47	8.85	11.81	2.36	4.40
SM55A	5.5	21.92	18.97	13.66	6.77	6.88	7.14	0.47	8.85	11.81	2.36	4.40
SM75A	7.5	25.8	22.85	14.44	7.55	6.88	8.11	0.47	8.85	11.81	2.36	5.19
SM100A	10	28.79	25.15	16.02	7.55	8.46	8.95	0.47	10.35	13.38	2.36	5.19

Model #	M	N	O	P	Q	R	T	U	W
SM40A	6.77	13.18	12.99	7.08	4.01	2.36	7.48	9.84	7.08
SM55A	6.77	13.18	12.99	7.08	4.01	2.36	7.48	9.84	7.08
SM75A	7.55	15.23	12.99	7.08	4.01	2.36	8.50	10.86	7.08
SM100A	7.55	15.23	15.15	7.87	5.17	2.99	8.50	10.86	7.87

Model #	Vacuum Gauge Connection	Overflow Valve Connection	Service Liquid Connection	Draining Pump	Inlet	Discharge
	AA	BB	CC	DD	EE	FF
SM40A	3/8" NPT	3/8" NPT	3/8" NPT	3/8" NPT	1-1/2"	1-1/2"
SM55A	3/8" NPT	3/8" NPT	3/8" NPT	3/8" NPT	1-1/2"	1-1/2"
SM75A	3/8" NPT	3/8" NPT	3/8" NPT	3/8" NPT	1-1/2"	1-1/2"
SM100A	3/8" NPT	1/2" NPT	1/2" NPT	3/8" NPT	2-1/2"	2-1/2"

