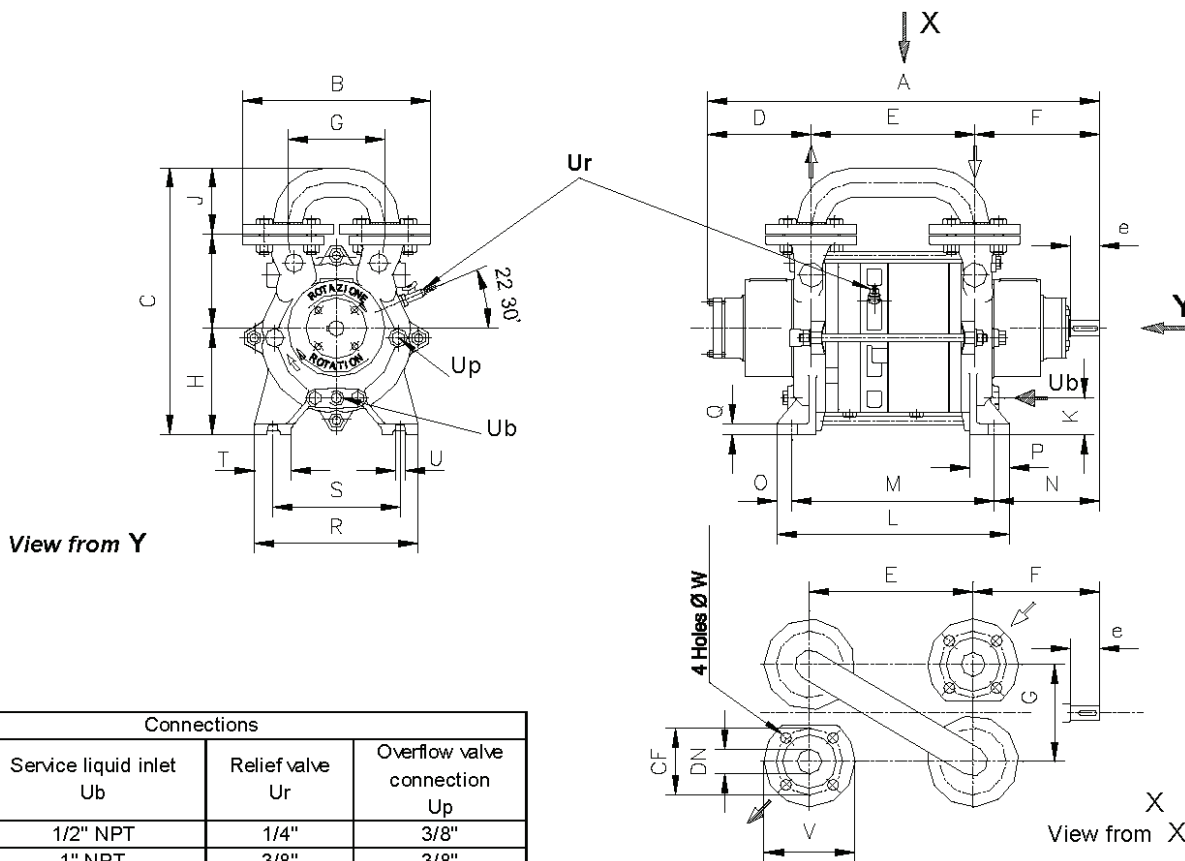


# Liquid Ring Vacuum Pump 27LC thru 250C Dimensions



Connections			
TYPE	Service liquid inlet Ub	Relief valve Ur	Overflow valve connection Up
CDS 4	1/2" NPT	1/4"	3/8"
CDS 5	1" NPT	3/8"	3/8"
CDS 8	1" 1/4 NPT	3/8"	3/8"

Flanges							
TYPE	DN	UNI PN 10			ANSI 150		
		Cf	V	W	Cf	V	W
CDS 4	1" 1/2	4.33	5.90	0.70	3.87	5.90	0.62
CDS 5	2"	4.92	6.49	0.70	4.75	6.49	0.74
CDS 8	3"	6.29	7.87	0.70	6.00	7.87	0.74

TYPE	Shaft end			
	d	e	f	g
CDS 4	1.10	2.16	0.31	1.22
CDS 5	1.49	2.75	0.39	1.61
CDS 8	1.88	3.54	0.55	2.02

TYPE	Part #	Overall dimensions																			Weight		
		A	B	C	D	E	F	G	H	I	J	K	L	M	N	O	P	Q	R	S		T	U
CDS 4	27LC	21.25	12.20	17.32	5.51	9.05	6.88	6.30	6.88	6.10	4.33	2.36	13.58	11.81	5.51	0.88	2.55	0.70	10.62	8.26	2.36	0.55	165
CDS 4	27C	22.83				10.62							15.15	13.38									188
CDS 4	210C	25.19				12.99							17.51	15.74									210
CDS 5	215C	27.48	15.55	20.02	6.88	11.92	8.85	6.29	8.26	7.08	4.72	2.95	16.14	14.37	7.67	0.88	2.55	0.78	12.00	9.44	2.55	0.59	287
CDS 5	220C	30.03				14.48							18.70	16.92									309
CDS 5	225C	32.00				16.45							20.66	18.89									342
CDS 8	240C	34.64	19.29	25.19	7.48	17.32	10.03	11.41	9.84	8.66	6.69	3.46	21.85	20.07	8.66	0.88	2.55	0.78	15.74	13.38	3.14	0.70	552
CDS 8	250C	39.17				21.85							26.37	24.60									618

