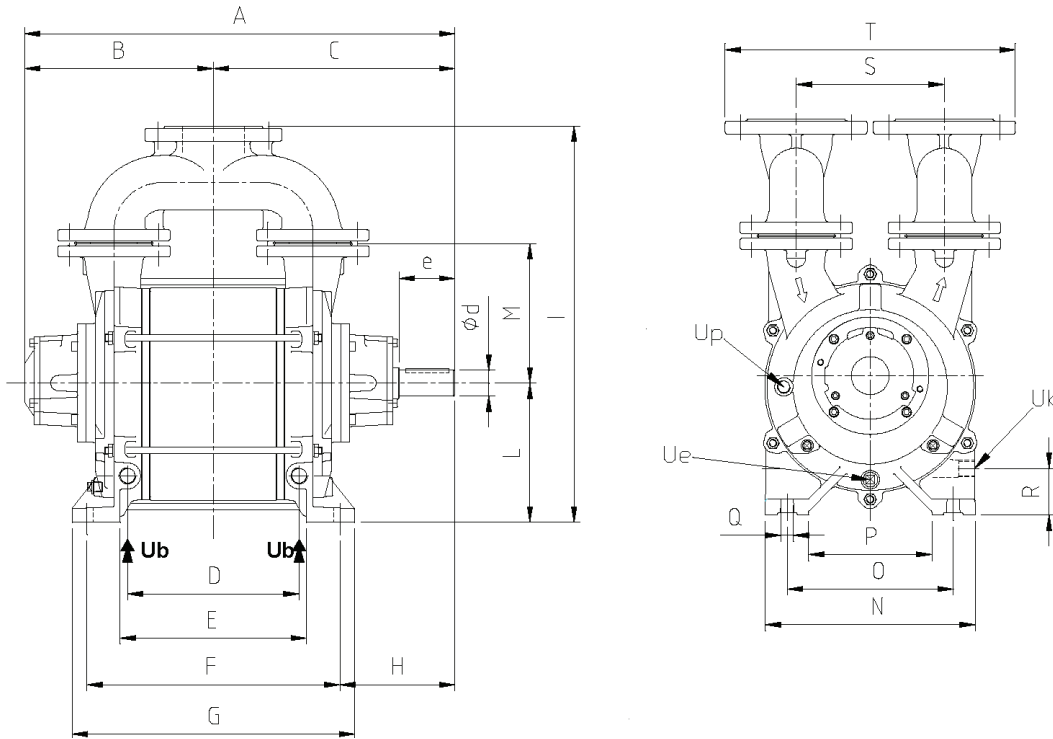
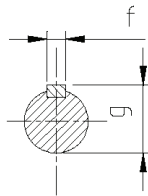


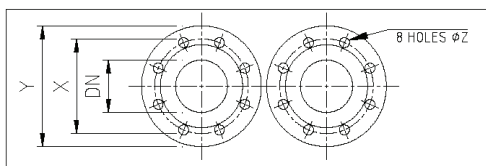
Liquid Ring Vacuum Pump 130B thru 175B Dimensions



Shaft End				
Model #	d	e	f	g
130B	1.66	3.55	0.48	1.78
140B				
150B	2.37	5.52	0.71	2.52
175B				



Connections			
	Service Liquid	Drain	Relief Valve
Model #	Ub	Ue	Up
130B	3/4"	3/8"	1/2"
140B	NPT F	NPT	NPT
150B	1 1/2"	1/2"	1/2"
175B	NPT F	NPT	NPT



Flanges		ANSI 150		
Model #	DN	X	Y	Z
130B	4"	7.5	9.02	0.75
140B				
150B	5"	8.5	10	0.88
175B				

OVERALL DIMENSIONS																			
Model	A	B	C	D	E	F	G	H	I	L	M	N	O	P	Q	R	S	T	Wt
130B	27.45	12.05	15.40	10.95	11.89	16.15	18.04	7.33	25.20	8.86	8.86	13.39	10.60	7.88	0.79	2.96	9.45	18.51	408
140B	31.54	14.10	17.45	15.04	15.99	20.24	22.13												452
150B	39.65	17.21	22.45	15.36	16.54	21.66	24.41	11.62	33.47	13.19	12.01	18.90	14.89	11.03	0.87	4.34	13.39	23.23	816
175B	45.16	19.97	25.20	20.87	22.05	27.17	29.93												948

