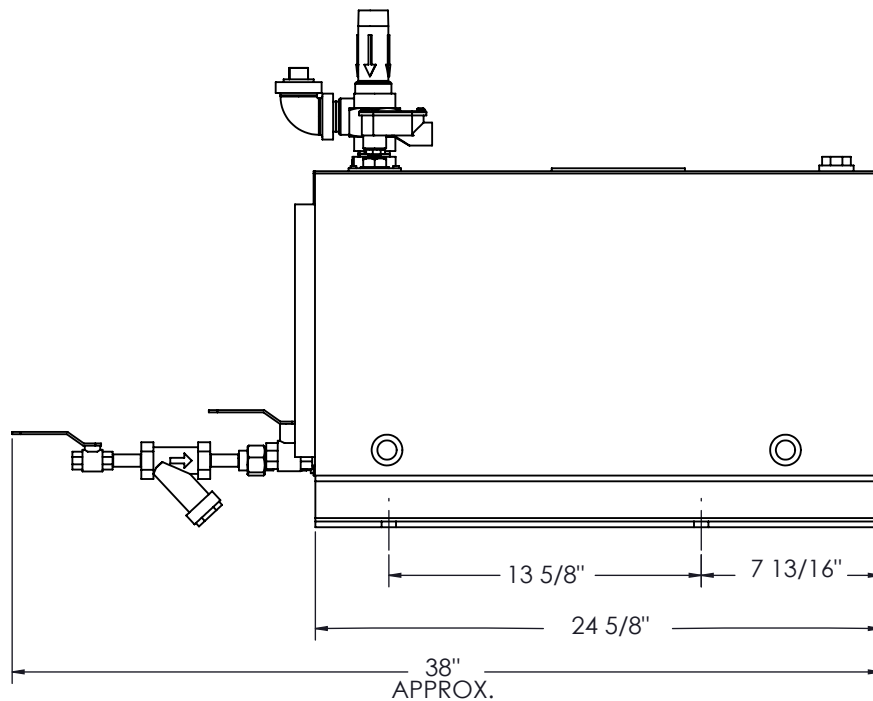
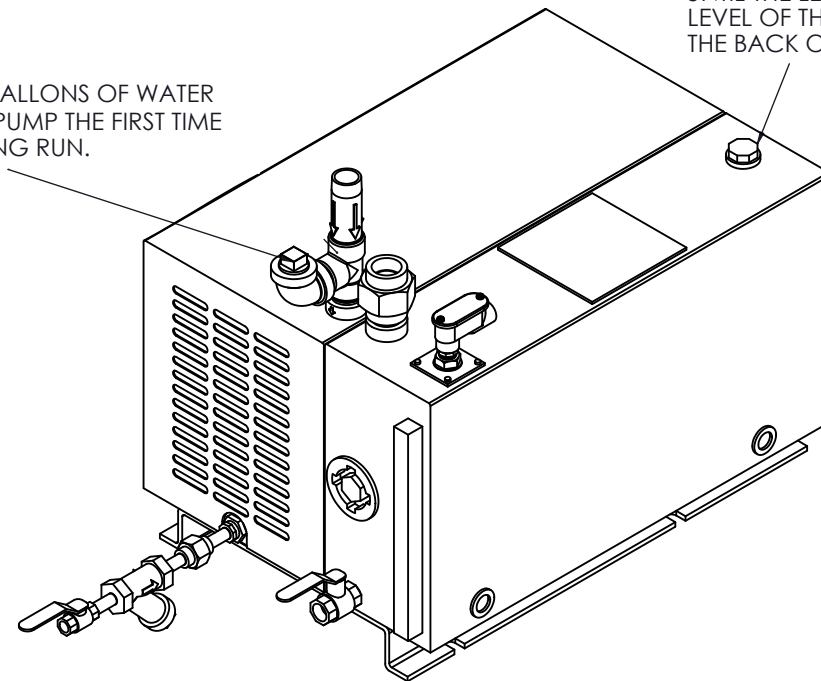


ADD 0.4 GALLONS OF WATER TO PRIME PUMP THE FIRST TIME UNIT IS BEING RUN.

FOR INITIAL START-UP; ADD WATER TO THE SUMP THROUGH THIS CONNECTION UNTIL THE LEVEL REACHES THE LEVEL OF THE OVERFLOW ON THE BACK OF THE UNIT.



NOTE: PUMP MODULES ARE SHOWN WITH OPTIONAL EXTERNAL PIPING COMPONENTS FOR DIMENSIONAL PURPOSES.

01	2009203	INITIAL RELEASE	08/20/09	KM
REV	ECO NO.	DESCRIPTION OF CHANGE	DATE	BY
DO NOT SCALE DRAWING				
UNLESS OTHERWISE SPECIFIED: DIMENSIONS ARE IN INCHES AND TOLERANCES ARE:		DRAWN BY K. MCCLORY	DATE 08/20/09	 <small>COPYRIGHT ©, COPYFRIGHTED BY OHIO MEDICAL CORPORATION</small>
CHECKED BY:		DATE		
APPROVED BY:		DATE		
THIRD ANGLE PROJECTION		ITEM DESCRIPTION OASIS PUMP MODULE O1		
MATERIAL N/A		DWG SIZE D	PART NUMBER 301150	PART REV 01
FINISH N/A		SCALE: 1:1		
FILE NAME 100-0080.sldcdrw		SHEET 1 OF 1		

CONFIDENTIAL: THIS DRAWING AND THE DESIGN REPRESENTED THEREIN ARE THE PROPERTY OF OHIO MEDICAL CORPORATION AND HAS BEEN ISSUED WITH THE UNDERSTANDING THAT NEITHER DRAWING NOR THE INFORMATION THEREIN IS TO BE USED OR DISCLOSED, EITHER IN WHOLE OR IN PART, EXCEPT AS SPECIFICALLY AUTHORIZED BY OHIO MEDICAL CORPORATION AND SHALL BE RETURNED UPON REQUEST.