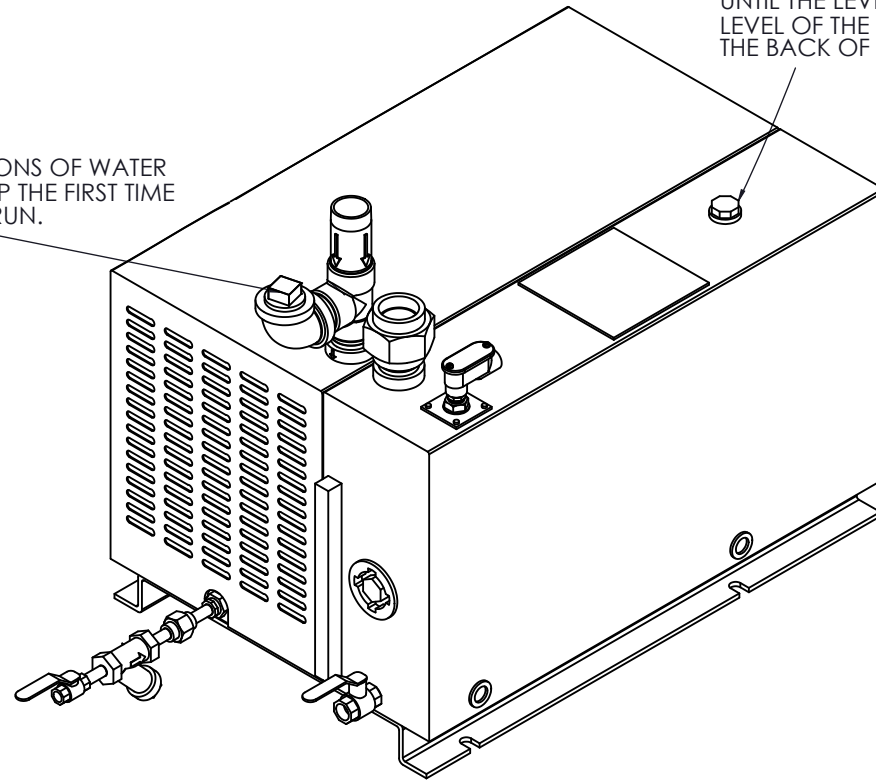
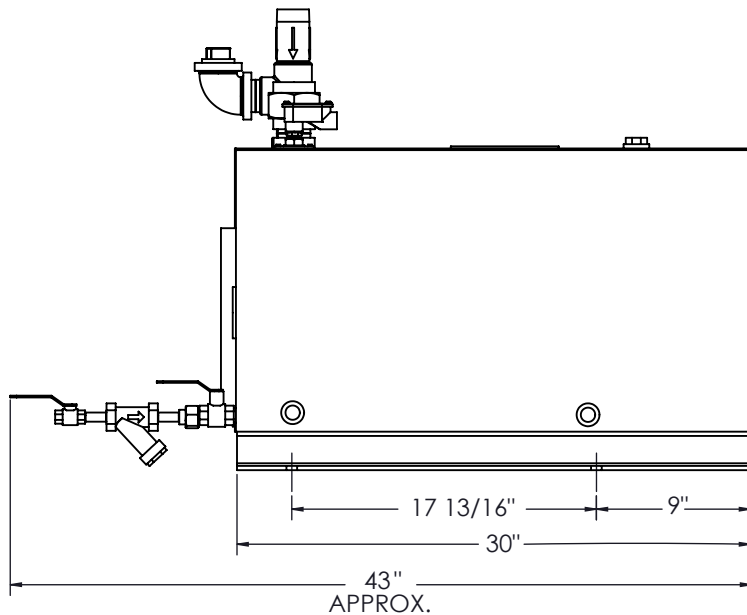


ADD 0.4 GALLONS OF WATER TO PRIME PUMP THE FIRST TIME UNIT IS BEING RUN.

OPTIONAL LEVEL SWITCH



FOR INITIAL START-UP; ADD WATER TO THE SUMP THROUGH THIS CONNECTION UNTIL THE LEVEL REACHES THE LEVEL OF THE OVERFLOW ON THE BACK OF THE UNIT.



NOTE: PUMP MODULES ARE SHOWN WITH OPTIONAL EXTERNAL PIPING COMPONENTS FOR DIMENSIONAL PURPOSES.

01	2009203	INITIAL RELEASE	08/20/09	KM
REV	ECO NO.	DESCRIPTION OF CHANGE	DATE	BY
DO NOT SCALE DRAWING UNLESS OTHERWISE SPECIFIED DIMENSIONS ARE IN INCHES AND TOLERANCES ARE: XX ± 0.1 XXX ± 0.01 XXXX ± 0.005 XX * ± .1				
DRAWN BY K. MCCLORY		DATE 08/20/09		 OHIO Medical Corporation® COPYRIGHT & COPYRIGHTED BY OHIO MEDICAL CORPORATION
CHECKED BY		DATE		
APPROVED BY		DATE		
MATERIAL N/A		ITEM DESCRIPTION OASIS PUMP MODULE O30		
FINISH N/A		DWG SIZE D	PART NUMBER 301151	PART REV 01
FILE NAME 1100-0081.slddrw		SCALE: 1:1		SHEET 1 OF 1
<small>CONFIDENTIAL: THIS DRAWING AND THE DESIGN REPRESENTED THEREIN ARE THE PROPERTY OF OHIO MEDICAL CORPORATION AND HAVE BEEN ISSUED WITH THE UNDERSTANDING THAT NEITHER DRAWING NOR THE INFORMATION THEREIN IS TO BE USED OR DISCLOSED, EITHER IN WHOLE OR PART, EXCEPT AS SPECIFICALLY AUTHORIZED BY OHIO MEDICAL CORPORATION AND SHALL BE RETURNED UPON REQUEST.</small>				