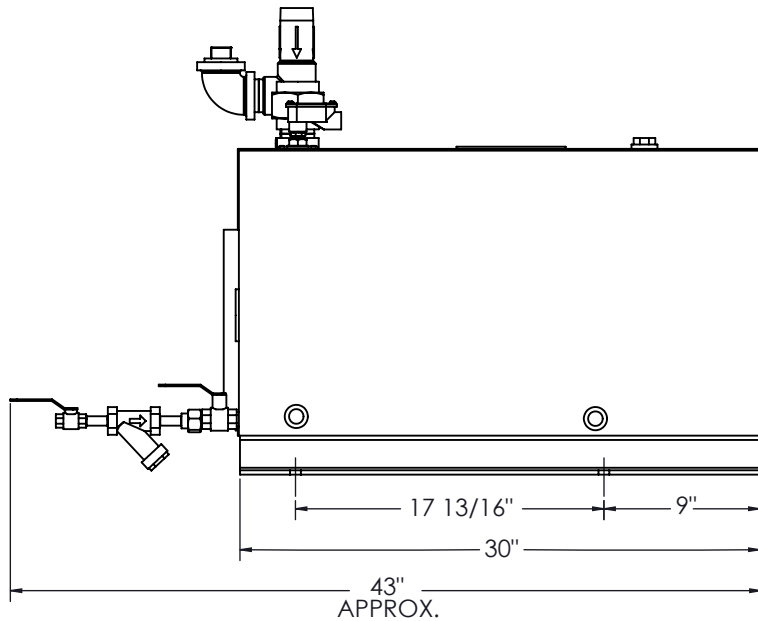
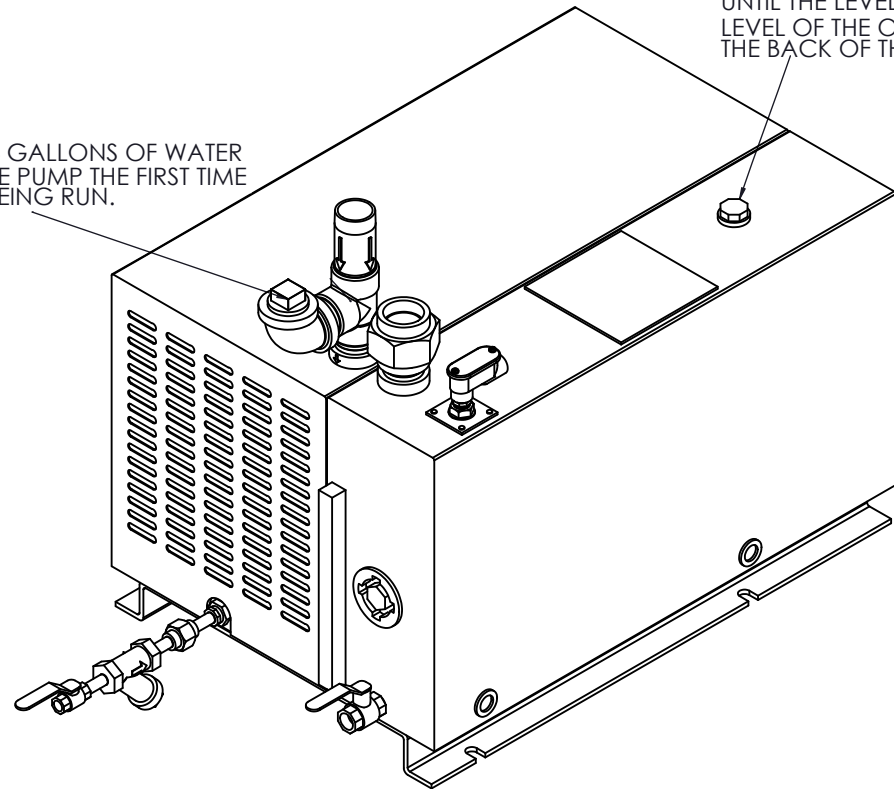


ADD 0.4 GALLONS OF WATER TO PRIME PUMP THE FIRST TIME UNIT IS BEING RUN.

FOR INITIAL START-UP: ADD WATER TO THE SUMP THROUGH THIS CONNECTION UNTIL THE LEVEL REACHES THE LEVEL OF THE OVERFLOW ON THE BACK OF THE UNIT.



NOTE: PUMP MODULES ARE SHOWN WITH OPTIONAL EXTERNAL PIPING COMPONENTS FOR DIMENSIONAL PURPOSES.

01	2009203	INITIAL RELEASE	08/20/09	KM
REV	ECO NO.	DESCRIPTION OF CHANGE	DATE	BY
DO NOT SCALE DRAWING		DRAWN BY	DATE	
UNLESS OTHERWISE SPECIFIED: DIMENSIONS ARE IN INCHES AND TOLERANCES ARE: XX.X = 0.1 X.XXX = 0.01 X.XXXX = 0.005 XX ± .1		K. MCCLORY	08/20/09	
THIRD ANGLE PROJECTION		CHECKED BY	DATE	
MATERIAL:		APPROVED BY	DATE	
FINISH:		 OHIO Medical Corporation® <small>COPYRIGHT & COPYRIGHTED BY OHIO MEDICAL CORPORATION</small>		
ITEM DESCRIPTION:				
N/A		OASIS PUMP MODULE O40		
FILE NAME:		DWG SIZE	PART NUMBER	PART REV
100-0082.slddrw		D	301152	01
		SCALE: 1:1	SHEET 1 OF 1	

CONFIDENTIAL: THE DRAWING AND THE DESIGN REPRESENTED THEREIN ARE THE PROPERTY OF OHIO MEDICAL CORPORATION AND HAS BEEN ISSUED WITH THE UNDERSTANDING THAT NEITHER DRAWING NOR THE INFORMATION THEREIN IS TO BE USED OR DISCLOSED, EITHER IN WHOLE OR PART, EXCEPT AS SPECIFICALLY AUTHORIZED BY OHIO MEDICAL CORPORATION AND SHALL BE RETURNED UPON REQUEST.