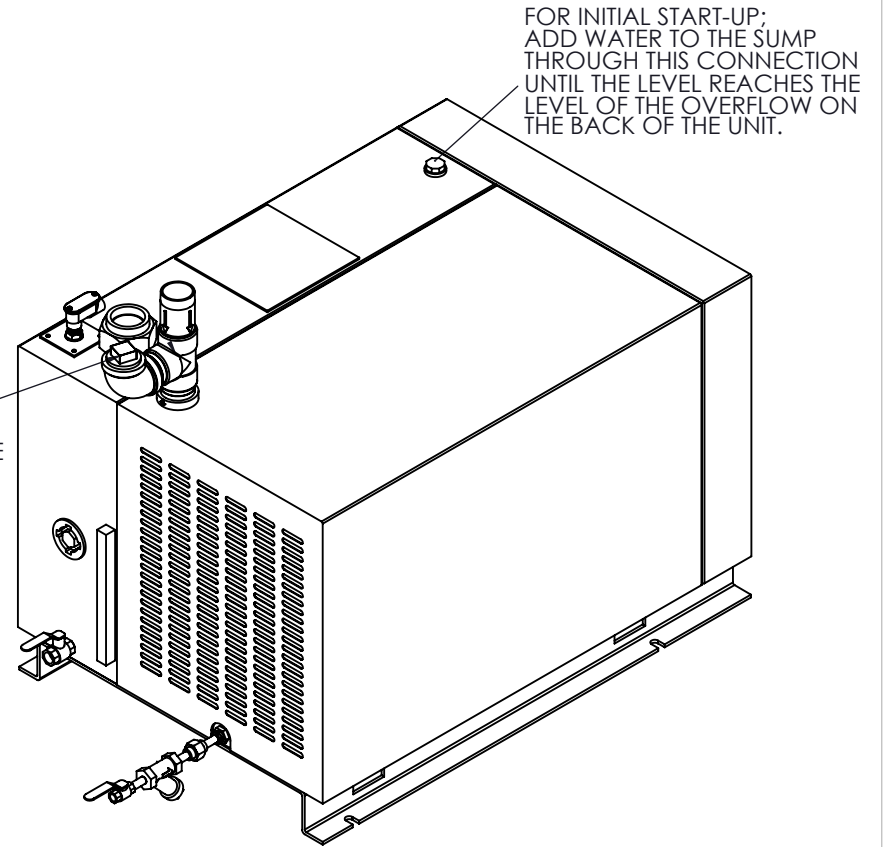
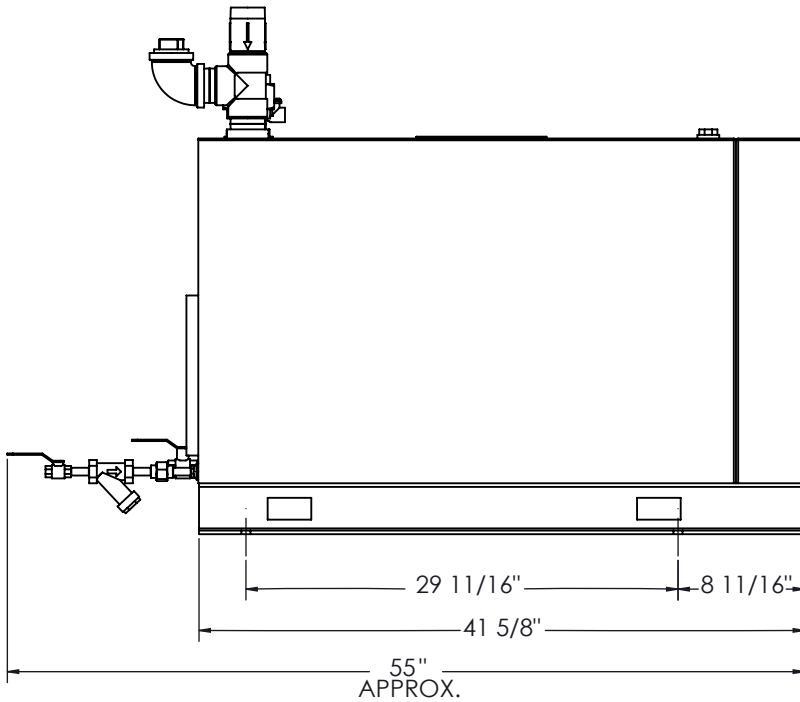


ADD 1.3 GALLONS OF WATER TO PRIME PUMP THE FIRST TIME UNIT IS BEING RUN.



NOTE: PUMP MODULES ARE SHOWN WITH OPTIONAL EXTERNAL PIPING COMPONENTS FOR DIMENSIONAL PURPOSES.



01	2009203	INITIAL RELEASE	08/20/09	KM
REV	ECC NO.	DESCRIPTION OF CHANGE	DATE	BY
DO NOT SCALE DRAWING				
UNLESS OTHERWISE SPECIFIED: DIMENSIONS ARE IN INCHES AND TOLERANCES ARE:		DRAWN BY K. MCCLORY	DATE 08/20/09	 OHIO Medical Corporation® <small>COPYRIGHT © COPYRIGHTED BY OHIO MEDICAL CORPORATION</small>
XXX ± 0.1		CHECKED BY	DATE	
XXXX ± 0.01		APPROVED BY	DATE	
XX ± 0.005				
THIRD ANGLE PROJECTION		ITEM DESCRIPTION OASIS PUMP MODULE O50		
MATERIAL N/A		DWG SIZE D	PART NUMBER 301153	PART REV 01
FINISH N/A		FILE NAME 100-0083_sldchdw	SCALE: 1:1	SHEET 1 OF 1
<small>CONFIDENTIAL: THIS DRAWING AND THE DESIGN REPRESENTED THEREIN ARE THE PROPERTY OF OHIO MEDICAL CORPORATION AND HAS BEEN ISSUED WITH THE UNDERSTANDING THAT NEITHER DRAWING NOR THE INFORMATION THEREIN IS TO BE USED OR DISCLOSED, EITHER IN WHOLE OR PART, EXCEPT AS SPECIFICALLY AUTHORIZED BY OHIO MEDICAL CORPORATION AND SHALL BE RETURNED UPON REQUEST.</small>				