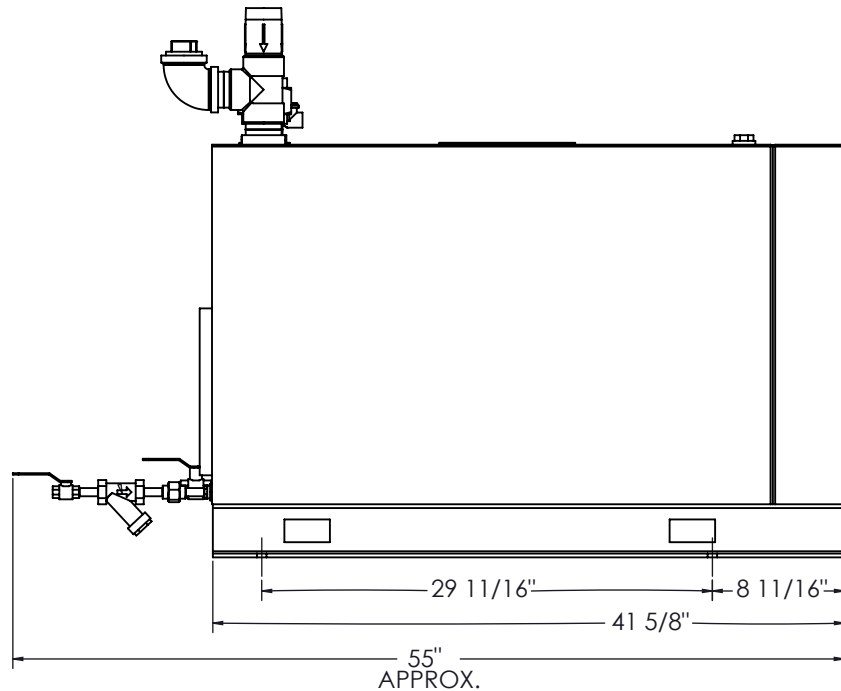
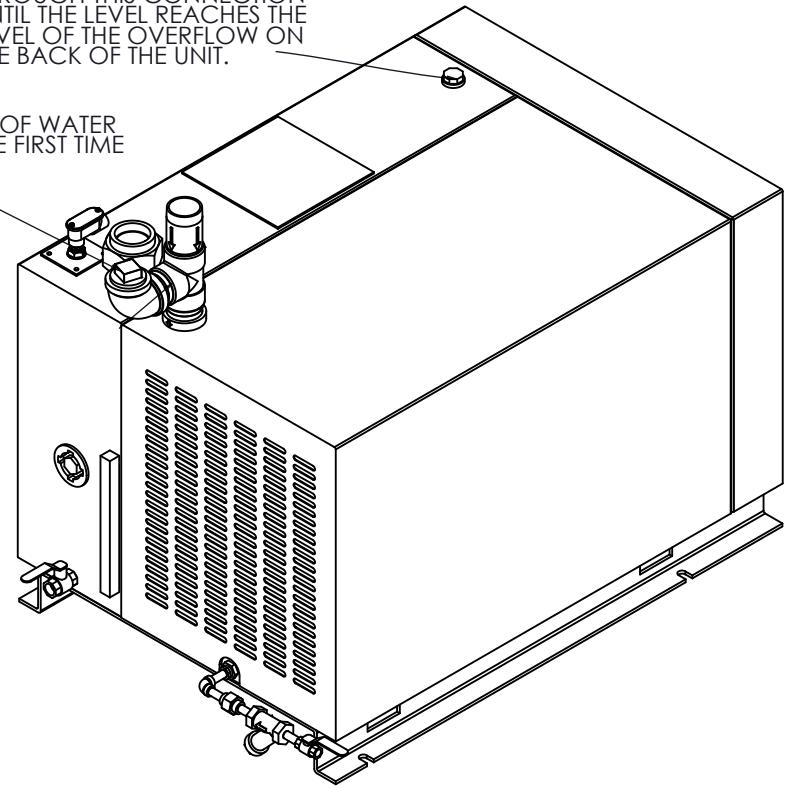


FOR INITIAL START-UP:
ADD WATER TO THE SUMP
THROUGH THIS CONNECTION
UNTIL THE LEVEL REACHES THE
LEVEL OF THE OVERFLOW ON
THE BACK OF THE UNIT.

ADD 1.3 GALLONS OF WATER
TO PRIME PUMP THE FIRST TIME
UNIT IS BEING RUN.



NOTE: PUMP MODULES ARE SHOWN WITH OPTIONAL EXTERNAL PIPING COMPONENTS FOR DIMENSIONAL PURPOSES.

01	2009203	INITIAL RELEASE	07/21/09	KM
REV	ECO NO.	DESCRIPTION OF CHANGE	DATE	BY
DO NOT SCALE DRAWING UNLESS OTHERWISE SPECIFIED, DIMENSIONS ARE IN INCHES AND TOLERANCES ARE: .XX ± 0.1 .XXX ± 0.01 .XXXX ± 0.005 XX * ± .1				
DRAWN BY K. MCCLORY		DATE 07/21/09		
CHECKED BY		DATE		
APPROVED BY		DATE		
THIRD ANGLE PROJECTION				
MATERIAL N/A		ITEM DESCRIPTION OASIS PUMP MODULE O75		
FINISH N/A		DWG SIZE D		PART NUMBER 301154
FILE NAME 100-0084.slddrw		SCALE: 1:1		PART REV 01
				SHEET 1 OF 1
<small>CONFIDENTIAL: THIS DRAWING AND THE DESIGN REPRESENTED THEREIN ARE THE PROPERTY OF OHIO MEDICAL CORPORATION AND HAS BEEN ISSUED WITH THE UNDERSTANDING THAT NEITHER DRAWING NOR THE INFORMATION THEREIN IS TO BE USED OR DISCLOSED, EITHER IN WHOLE OR PART, EXCEPT AS SPECIFICALLY AUTHORIZED BY OHIO MEDICAL CORPORATION AND SHALL BE RETURNED UPON REQUEST.</small>				

