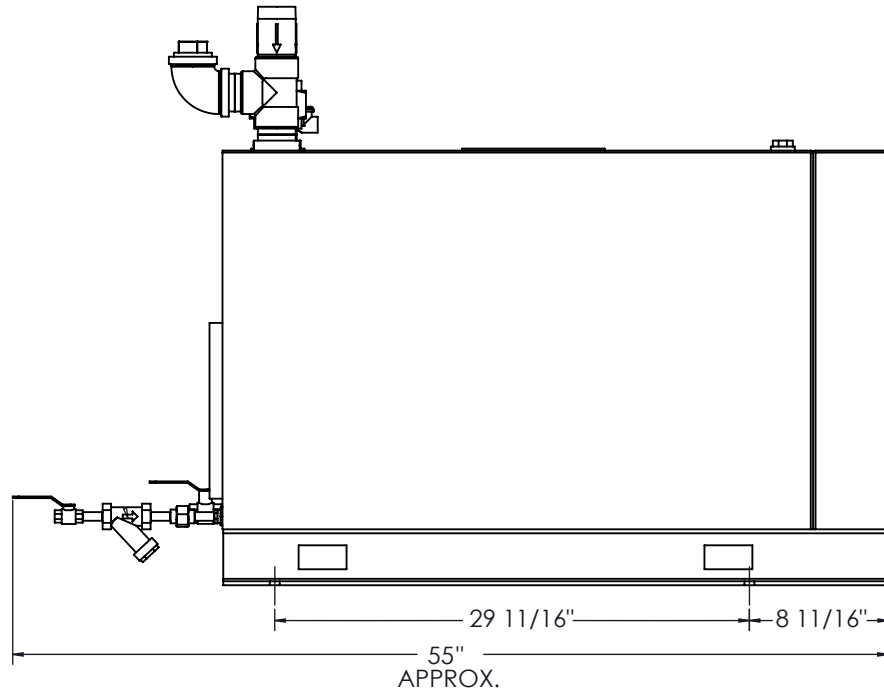
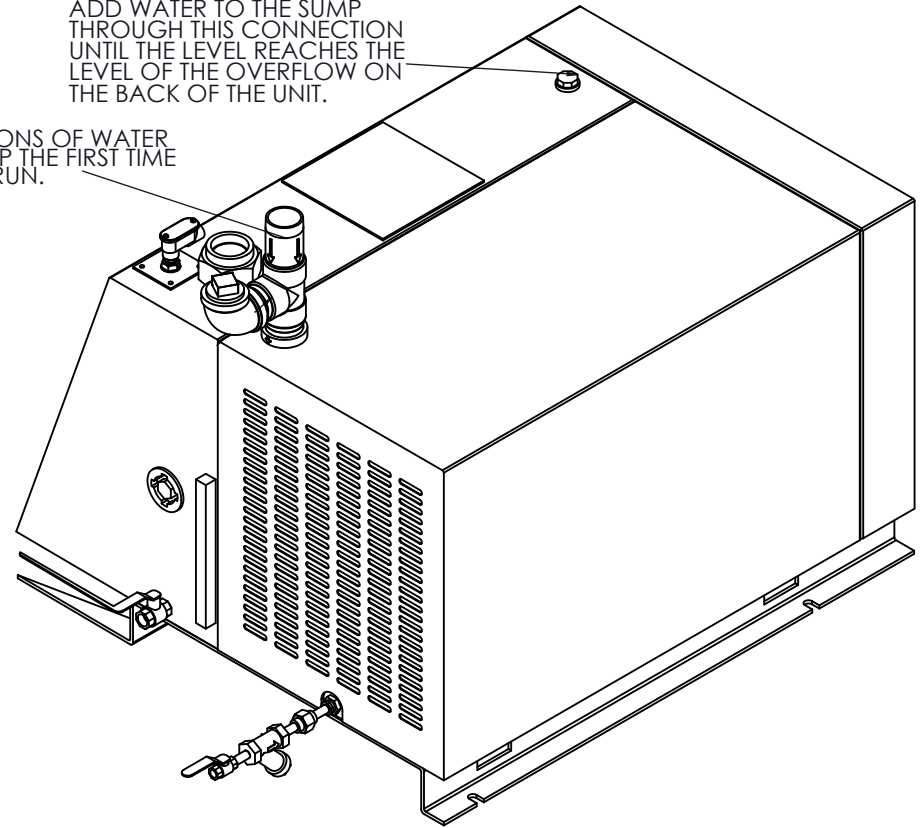


ADD 1.3 GALLONS OF WATER TO PRIME PUMP THE FIRST TIME UNIT IS BEING RUN.

FOR INITIAL START-UP; ADD WATER TO THE SUMP THROUGH THIS CONNECTION UNTIL THE LEVEL REACHES THE LEVEL OF THE OVERFLOW ON THE BACK OF THE UNIT.



NOTE: PUMP MODULES ARE SHOWN WITH OPTIONAL PIPING COMPONENTS FOR DIMENSIONAL PURPOSES.

01	2009203	INITIAL RELEASE	07/21/09	KM
REV	ECO NO.	DESCRIPTION OF CHANGE	DATE	BY
DO NOT SCALE DRAWING				
UNLESS OTHERWISE SPECIFIED: DIMENSIONS ARE IN INCHES AND TOLERANCES ARE: X.X ± 0.1 X.XX ± 0.01 X.XXX ± 0.005 X.XX * ± 1				
DRAWN BY K. MCCLORY		DATE 07/21/09		 OHIO Medical Corporation®
CHECKED BY		DATE		
THIRD ANGLE PROJECTION		APPROVED BY		DATE
PARTIAL:		ITEM DESCRIPTION		
N/A		OASIS PUMP MODULE O100		
FINISH N/A		DWG SIZE D	PART NUMBER 301155	PART REV 01
FILE NAME 100-0085.slddrw		SCALE: 1:1		SHEET 1 OF 1
<small>CONFIDENTIAL: THIS DRAWING AND THE DESIGN REPRESENTED THEREIN ARE THE PROPERTY OF OHIO MEDICAL CORPORATION AND HAS BEEN ISSUED WITH THE UNDERSTANDING THAT NEITHER DRAWING NOR THE INFORMATION THEREIN IS TO BE USED OR DISCLOSED, EITHER IN WHOLE OR PART, EXCEPT AS SPECIFICALLY AUTHORIZED BY OHIO MEDICAL CORPORATION AND SHALL BE RETURNED UPON REQUEST.</small>				