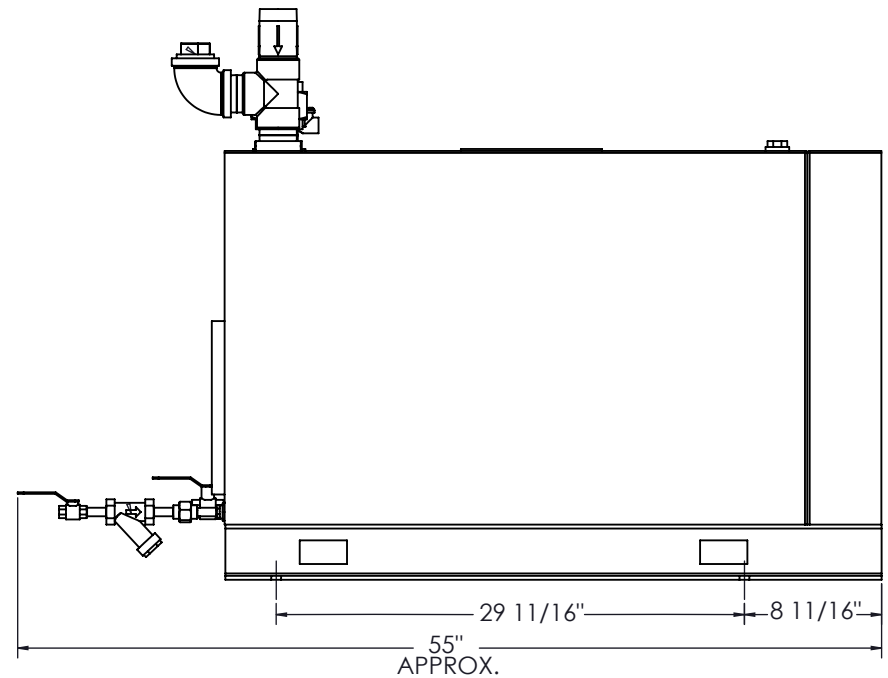
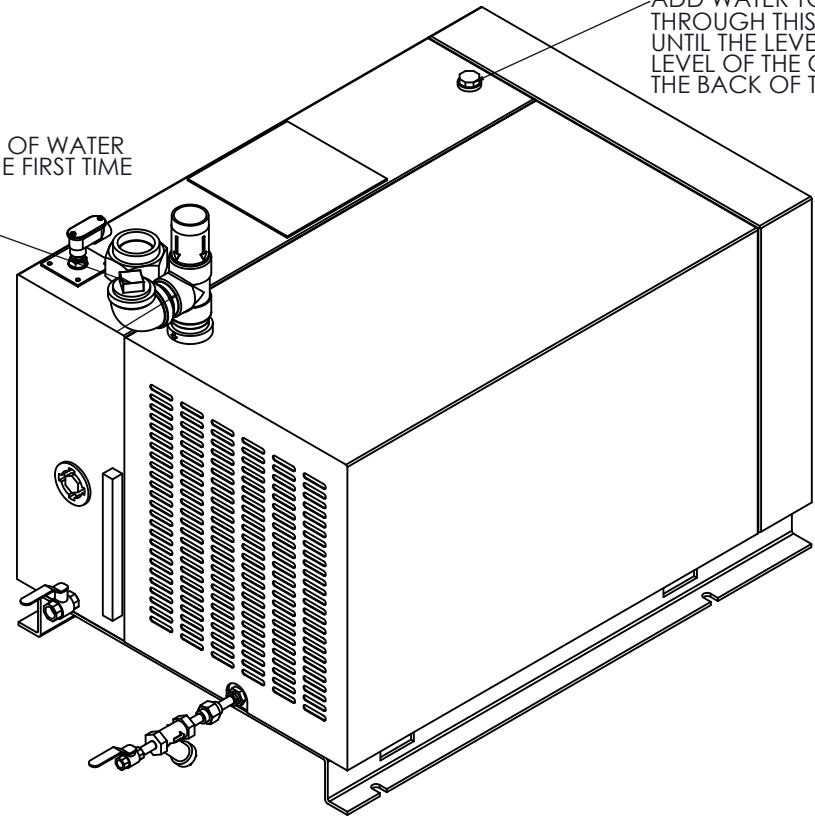


ADD 1.3 GALLONS OF WATER TO PRIME PUMP THE FIRST TIME UNIT IS BEING RUN.

FOR INITIAL START-UP; ADD WATER TO THE SUMP THROUGH THIS CONNECTION UNTIL THE LEVEL REACHES THE LEVEL OF THE OVERFLOW ON THE BACK OF THE UNIT.



NOTE: PUMP MODULES ARE SHOWN WITH OPTIONAL EXTERNAL PIPING COMPONENTS FOR DIMENSIONAL PURPOSES.

01	2009203	INITIAL RELEASE	07/21/09	KM
REV	ECO NO.	DESCRIPTION OF CHANGE	DATE	BY
DO NOT SCALE DRAWING		DRAWN BY	DATE	
UNLESS OTHERWISE SPECIFIED: DIMENSIONS ARE IN INCHES AND TOLERANCES ARE		K. MCCLORY	07/21/09	
X.X ± 0.1		CHECKED BY	DATE	
X.XXX ± 0.01		APPROVED BY	DATE	
X.XXXX ± 0.005		THIRD ANGLE PROJECTION		
X.X ± .1		MATERIAL: N/A		
FINISH: N/A		ITEM DESCRIPTION: OASIS PUMP MODULE 0150		
FILE NAME: 100-0086.slddrw		DWG SIZE: D	PART NUMBER: 301156	PART REV: 01
		SCALE: 1:1		SHEET 1 OF 1



CONFIDENTIAL: THIS DRAWING AND THE DESIGN REPRESENTED THEREIN ARE THE PROPERTY OF OHIO MEDICAL CORPORATION AND HAS BEEN FORGOTTEN WITH THE UNDERSTANDING THAT THE PAPER DRAWING NOT BE USED OR DISCLOSED EITHER IN WHOLE OR IN PART, EXCEPT AS SPECIFICALLY AUTHORIZED BY OHIO MEDICAL CORPORATION AND SHALL BE RETURNED UPON REQUEST.