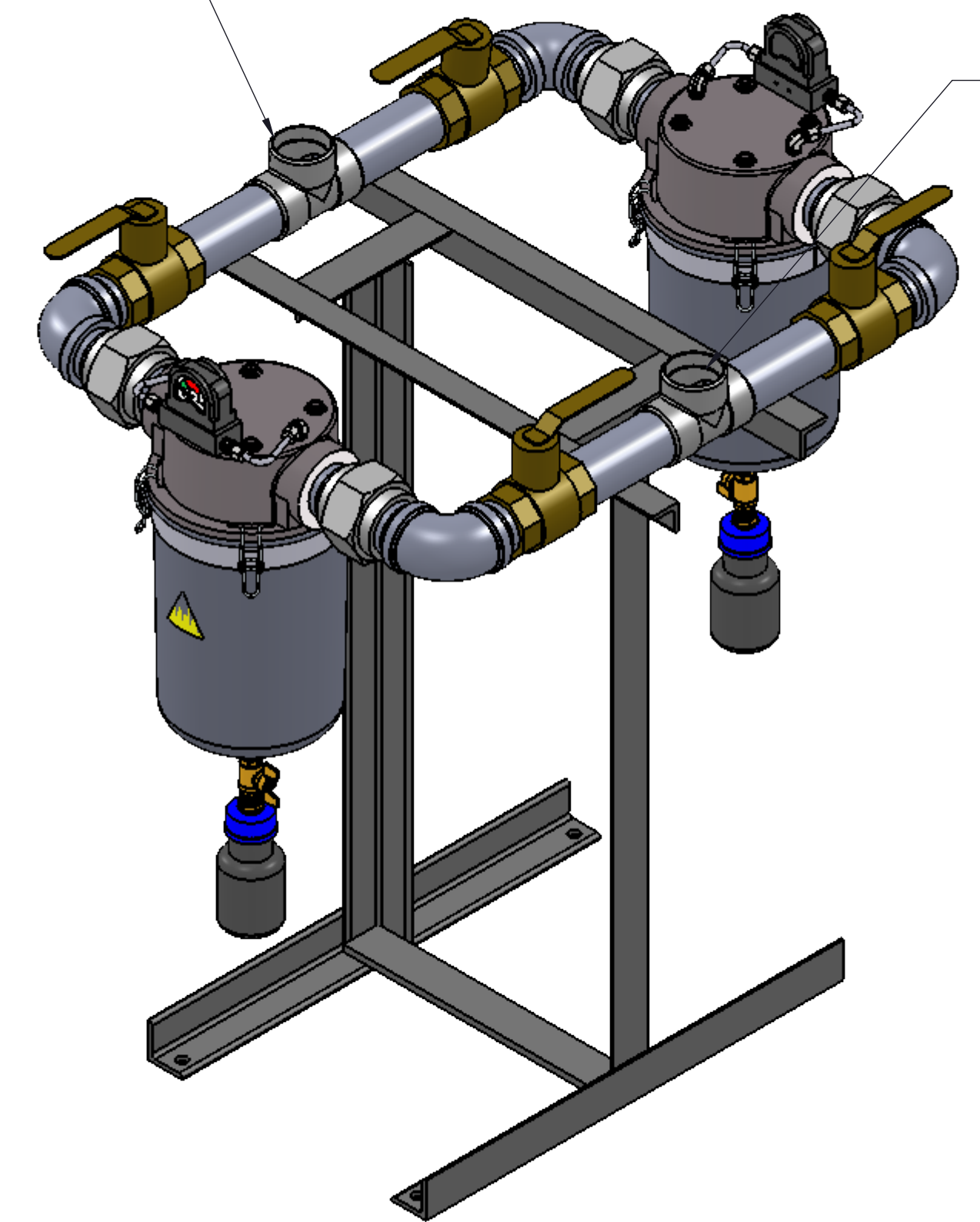


2" NPT VACUUM OUTLET CONNECTION

2" NPT VACUUM INLET CONNECTION



ITEM NO.	QTY.	PART NUMBER	DESCRIPTION	REF NOTE
1	2	233911		
2	4	242008	2" NPT ISOLATION VALVE	
3	4	A-12102-37	2 X 6" NPT NIPPLE	
4	12	A-12105-9	2" NPT CLOSE NIPPLE	
5	2	A-12108-9	2" Threaded Tee	
6	4	A-12109-9	2" NPT - ELBOW	
7	4	A-12137-9	UNION, 2"	
8	1	BASE-MED FB-3	WELDED BASE, MEDICAL FILTER BANK 3" PIPE	

01	N/A	INITIAL RELEASE	05/06/16	F.L.
REV	ECO NO.	DESCRIPTION OF CHANGE	DATE	BY
DO NOT SCALE DRAWING		DRAWN BY	DATE	
UNLESS OTHERWISE SPECIFIED, DIMENSIONS ARE IN INCHES AND TOLERANCES ARE:		F. LOPEZ	05/06/16	
.XX ± 0.050		CHECKED BY	DATE	
.XXX ± 0.020		APPROVED BY	DATE	
XXXX ± 0.005				
THIRD ANGLE PROJECTION	ITEM DESCRIPTION		COPYRIGHT & COPYRIGHT © BY OHIO MEDICAL LLC	
MATERIAL	MEDICAL VACUUM FILTER BANK, 2" NPT CONNECTIONS			
FINISH	DWG SIZE	DRAWING NUMBER	REV	
N/A	B	BOM-MED FB-2	01	
FILE NAME	SCALE: 1:1		SHEET 1 OF 1	
BOM-MED FB-2.SLDDRW				

BOM-MED FB-2 REV 01

CONFIDENTIAL: THIS DRAWING AND THE DESIGN REPRESENTED THEREIN ARE THE PROPERTY OF OHIO MEDICAL AND HAS BEEN ISSUED WITH THE UNDERSTANDING THAT NEITHER DRAWING NOR THE INFORMATION THEREIN IS TO BE USED OR REPRODUCED, EITHER IN WHOLE OR PART, EXCEPT AS SPECIFICALLY AUTHORIZED BY OHIO MEDICAL AND SHALL BE RETURNED UPON REQUEST.