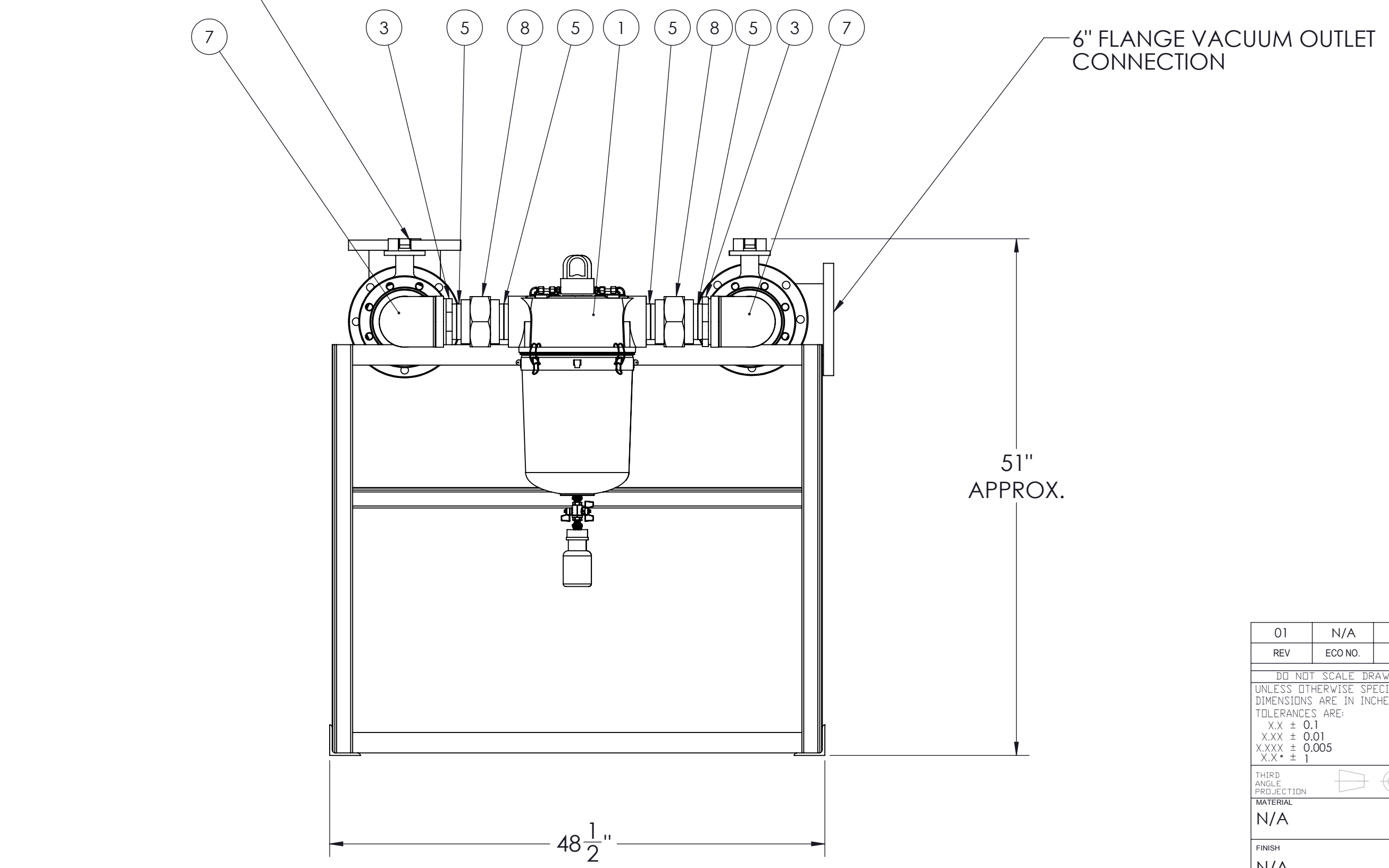
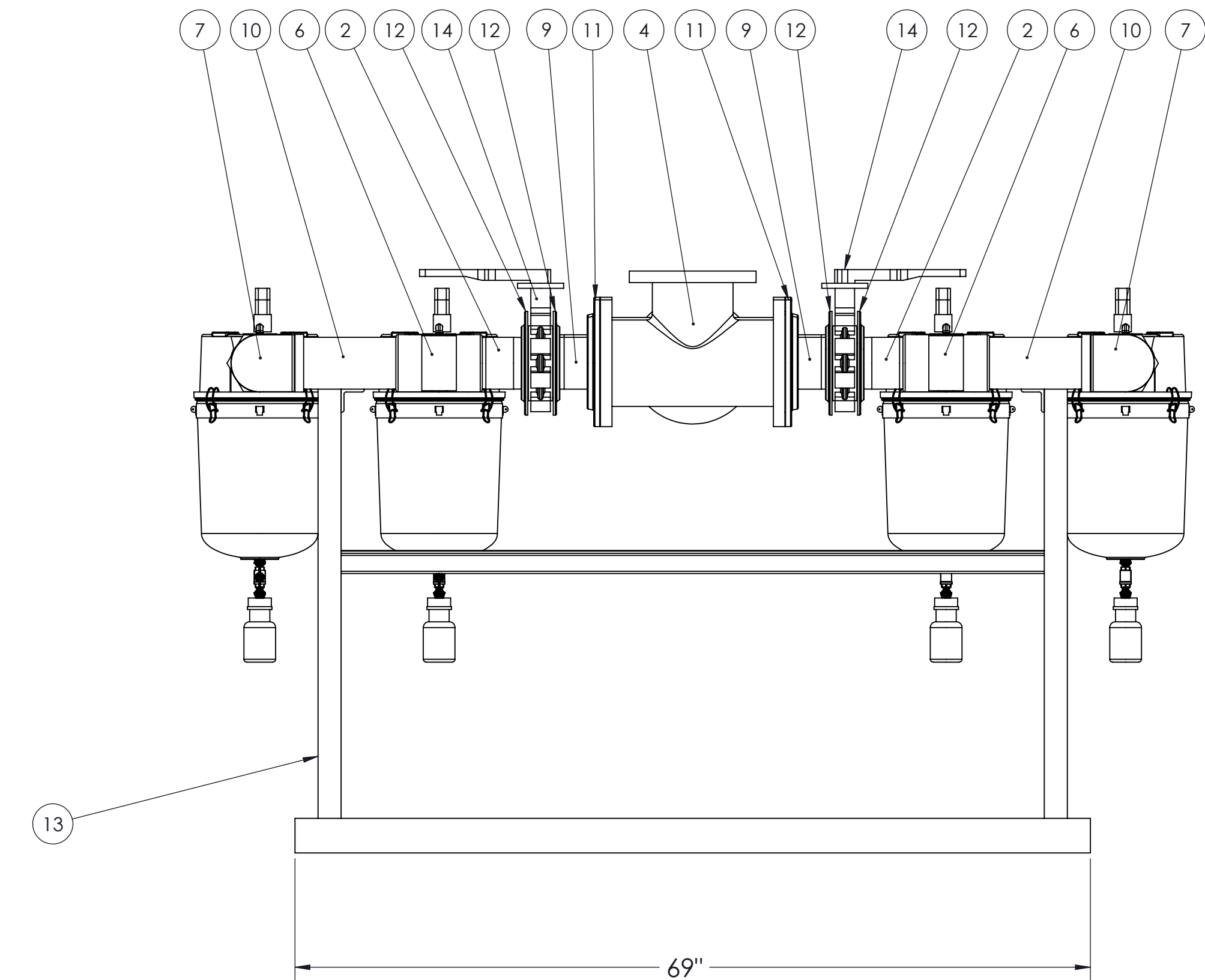


ITEM NO.	Default/ QTY.	PART NUMBER	DESCRIPTION	REF NOTE
1	4	233913	MEDICAL VACUUM FILTER, 0.2 MICRONS 3" FPT	
2	4	A-12102-41	4 X 5" NPT NIPPLE	
3	8	A-12103-55	4 to 3" NPT BUSHING	
4	2	A-12104-14A	6" NPT TEE	
5	16	A-12105-11	3" NPT CLOSE NIPPLE	
6	4	A-12108-13	4" Threaded Tee	
7	4	A-12109-13	4 NPT - ELBOW	
8	8	A-12137-11	UNION, 3"	
9	4	A-14351-9	4" NPT SCH 40 GALVANIZED PIPE (4" LONG)	
10	4	A-14351-9	4" NPT SCH 40 GALVANIZED PIPE (10" LONG)	
11	4	B-14404-15	6" X 4" RED. FLANGE	
12	8	B-14404-9	FLANGE, 4"	
13	1	BASE-MED FB-3X2	BASE ASSEMBLY FOR DUAL 3" MED FILTER BANK WITH 6 IN CONNECTIONS	
14	4	BUT-4	BUTTERFLY VALVE, 4"	

6" FLANGE VACUUM INLET CONNECTION



REV	ECO NO.	DESCRIPTION OF CHANGE	DATE	BY
01	N/A	INITIAL RELEASE	10/21/14	F.L.

<small>DO NOT SCALE DRAWING</small> <small>UNLESS OTHERWISE SPECIFIED: DIMENSIONS ARE IN INCHES AND TOLERANCES ARE:</small> <small>.XX ± 0.1</small> <small>.XXX ± 0.01</small> <small>X.XXX ± 0.005</small> <small>XXX ± 1</small>	<small>DRAWN BY</small> F. LOPEZ	<small>DATE</small> 10/21/14	
	<small>CHECKED BY</small>	<small>DATE</small>	
	<small>APPROVED BY</small>	<small>DATE</small>	

<small>FINISH</small> N/A	<small>ITEM DESCRIPTION</small> MEDICAL VACUUM FILTER BANK, DUAL 3" NPT FILTERS WITH 6" CONNECTIONS
<small>FILE NAME</small> BOM-MED FB-3X2.sldrw	<small>DWG SIZE</small> B
	<small>DRAWING NUMBER</small> BOM-MED FB-3X2
	<small>SCALE</small> 1:1
	<small>REV</small> 01
	<small>SHEET</small> 1 OF 1

CONFIDENTIAL: THIS DRAWING AND THE DESIGN REPRESENTED THEREIN ARE THE PROPERTY OF OHIO MEDICAL CORPORATION AND HAS BEEN ISSUED WITH THE UNDERSTANDING THAT NEITHER DRAWING NOR THE INFORMATION THEREIN IS TO BE USED OR DISCLOSED, EITHER IN WHOLE OR IN PART, EXCEPT AS SPECIFICALLY AUTHORIZED BY OHIO MEDICAL CORPORATION AND SHALL BE RETURNED UPON REQUEST.