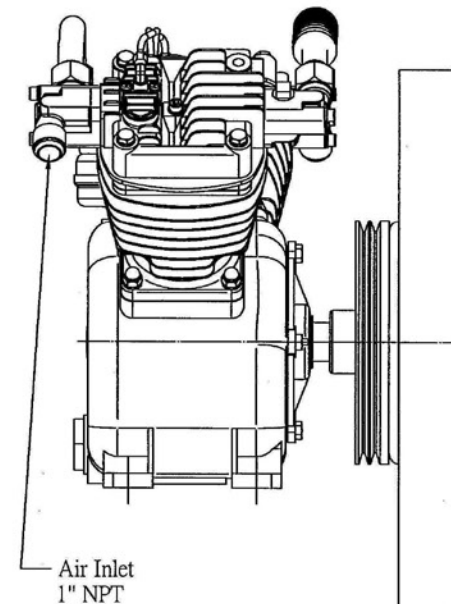
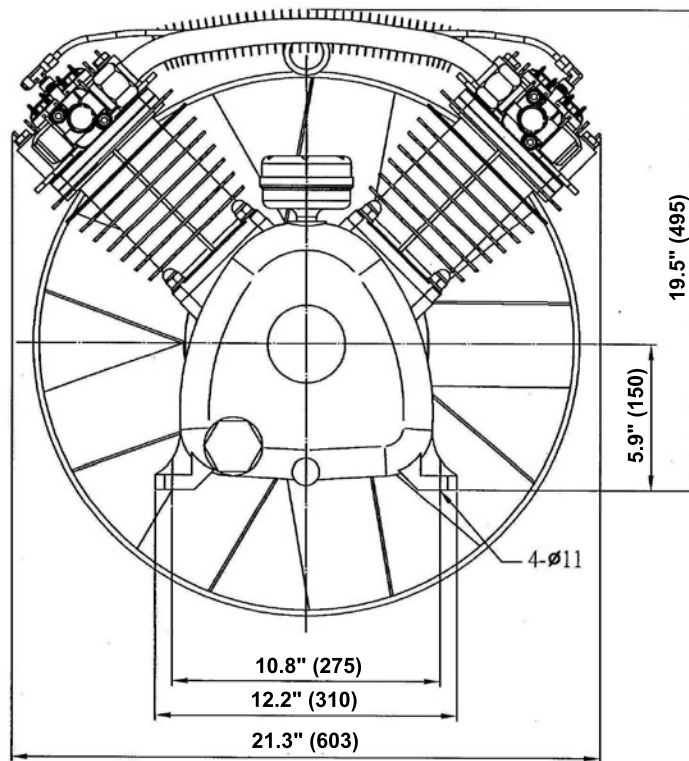
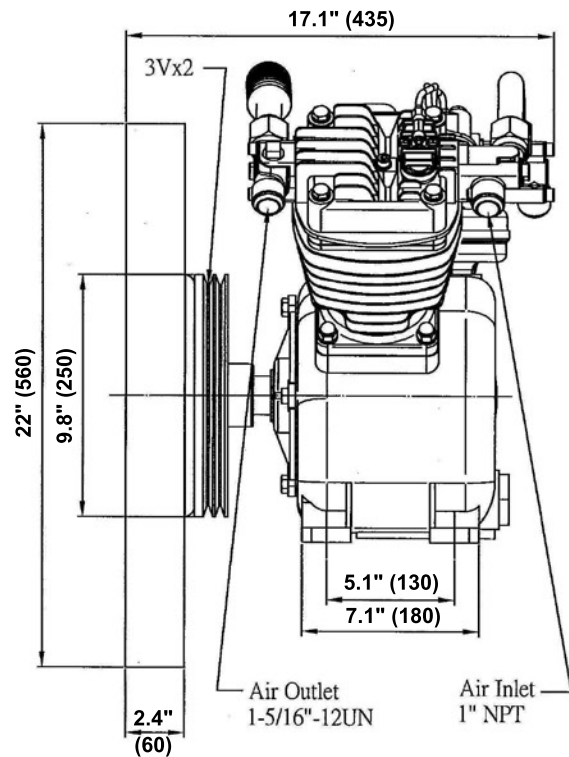


Model	Power Hp/kw	Working Press.	r.p.m.
P5	5/3.7	115 PSI	700

Rev No	Revision note	Date	Signature



**Usage Directives:**

- For compressing atmospheric air only. The air intake should be cool, clean, dry air and free from solid impurities and corrosive gases.
- Strictly follow the parameter as specified.
- Installation procedure:
  - Ensure the floor is level and of sufficient strength.
  - The belt guard must be equipped with and have a minimum 30cm clearance.
  - Check the belt tension and alignment properly.
  - The location should be dry and free from dust, humidity and aggressive or explosive gas.
- Use only OMC genuine parts for servicing and maintenance.
- Warranties are excluded if not operated in the intended way and do not conform with the users' manual directives.



Date	Part Number	Description	Unit
2/26/2015	230100	PS OIL-LESS COMPRESSOR	IN (mm)