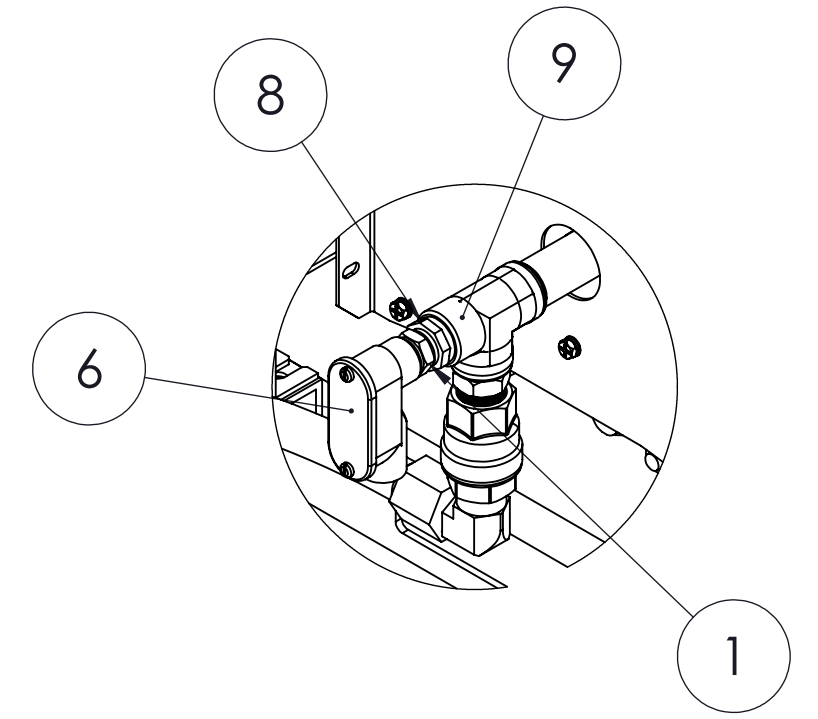
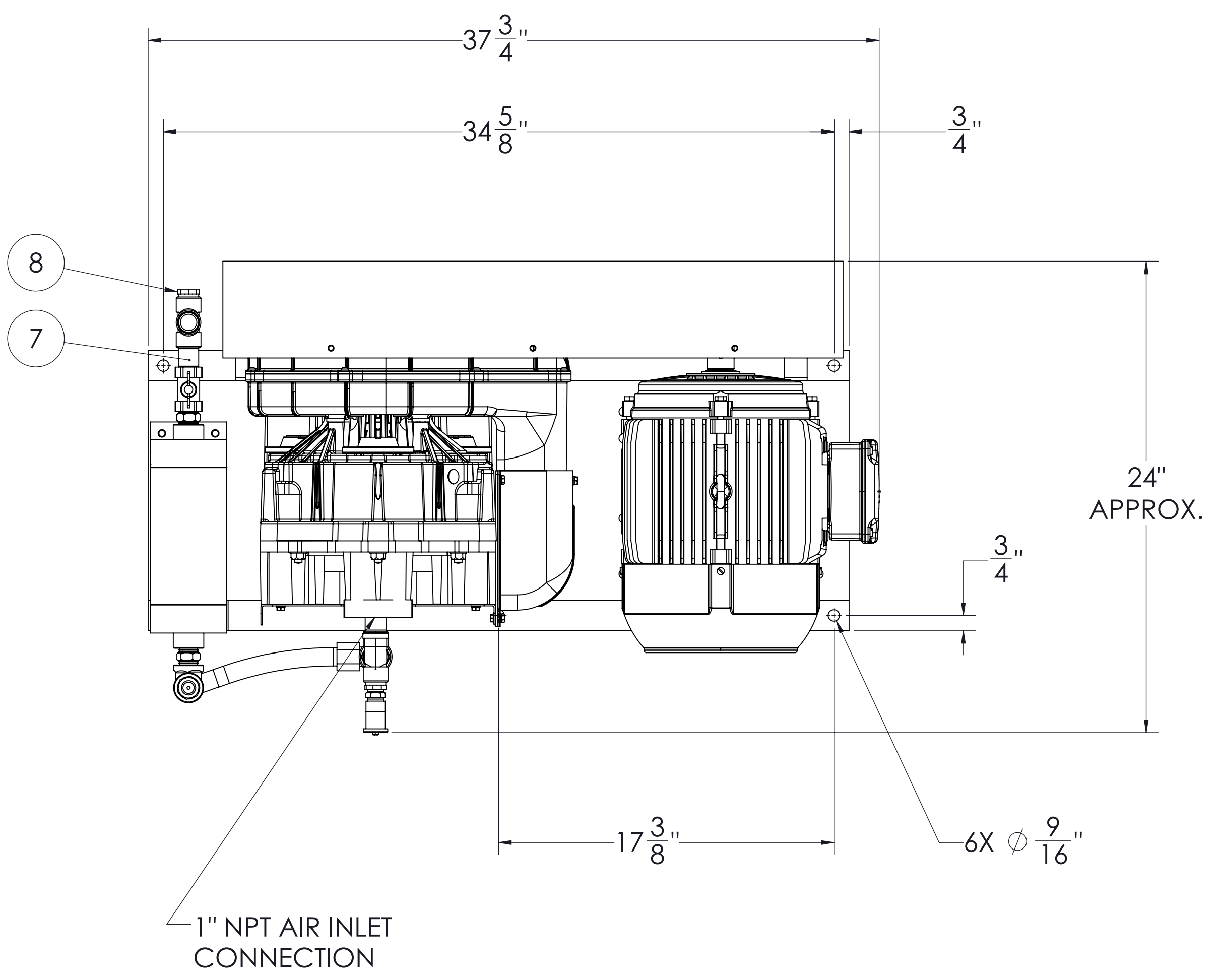
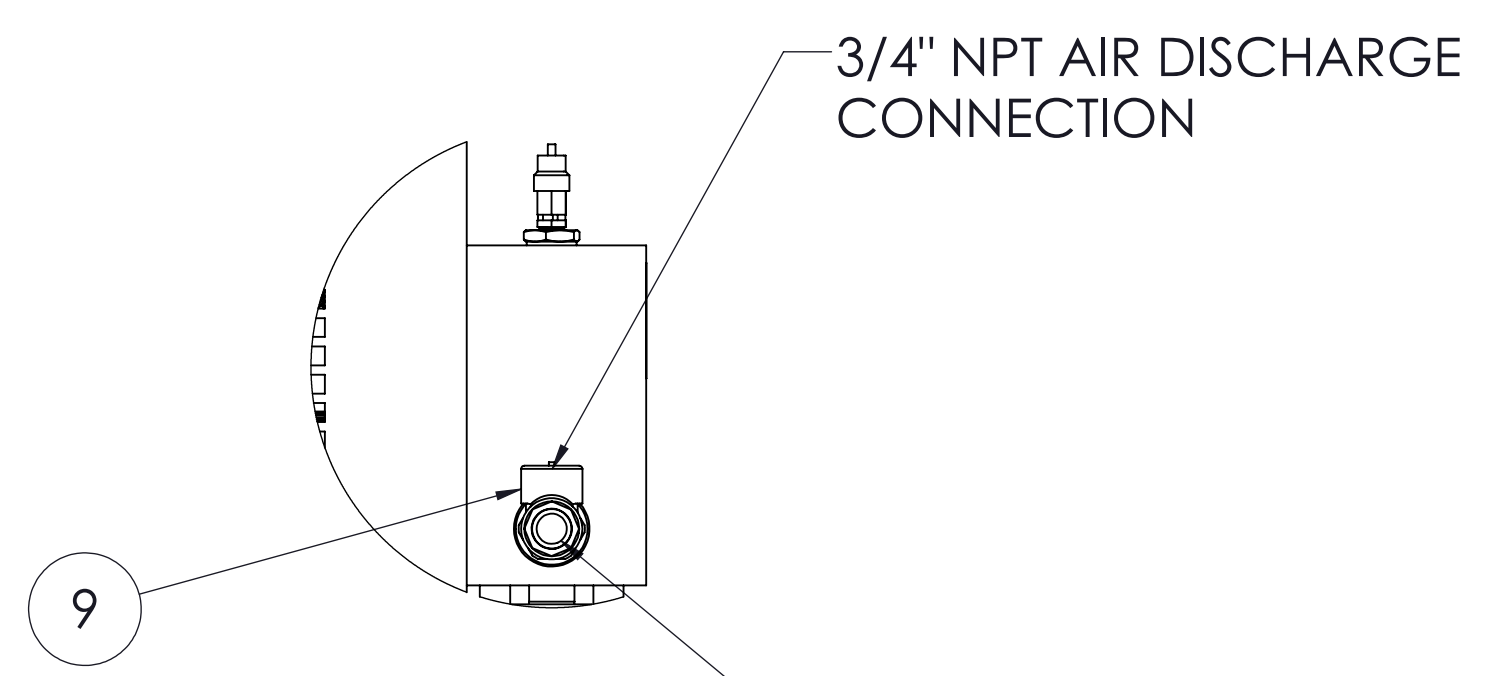


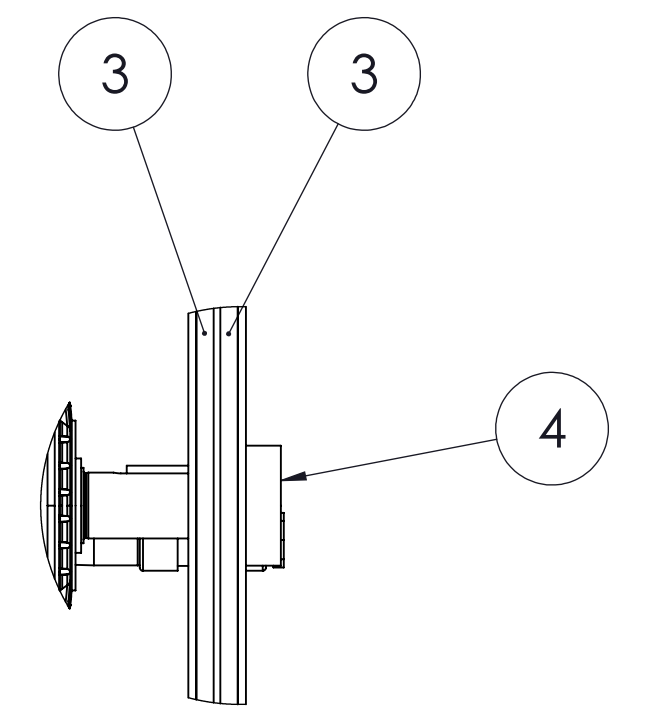
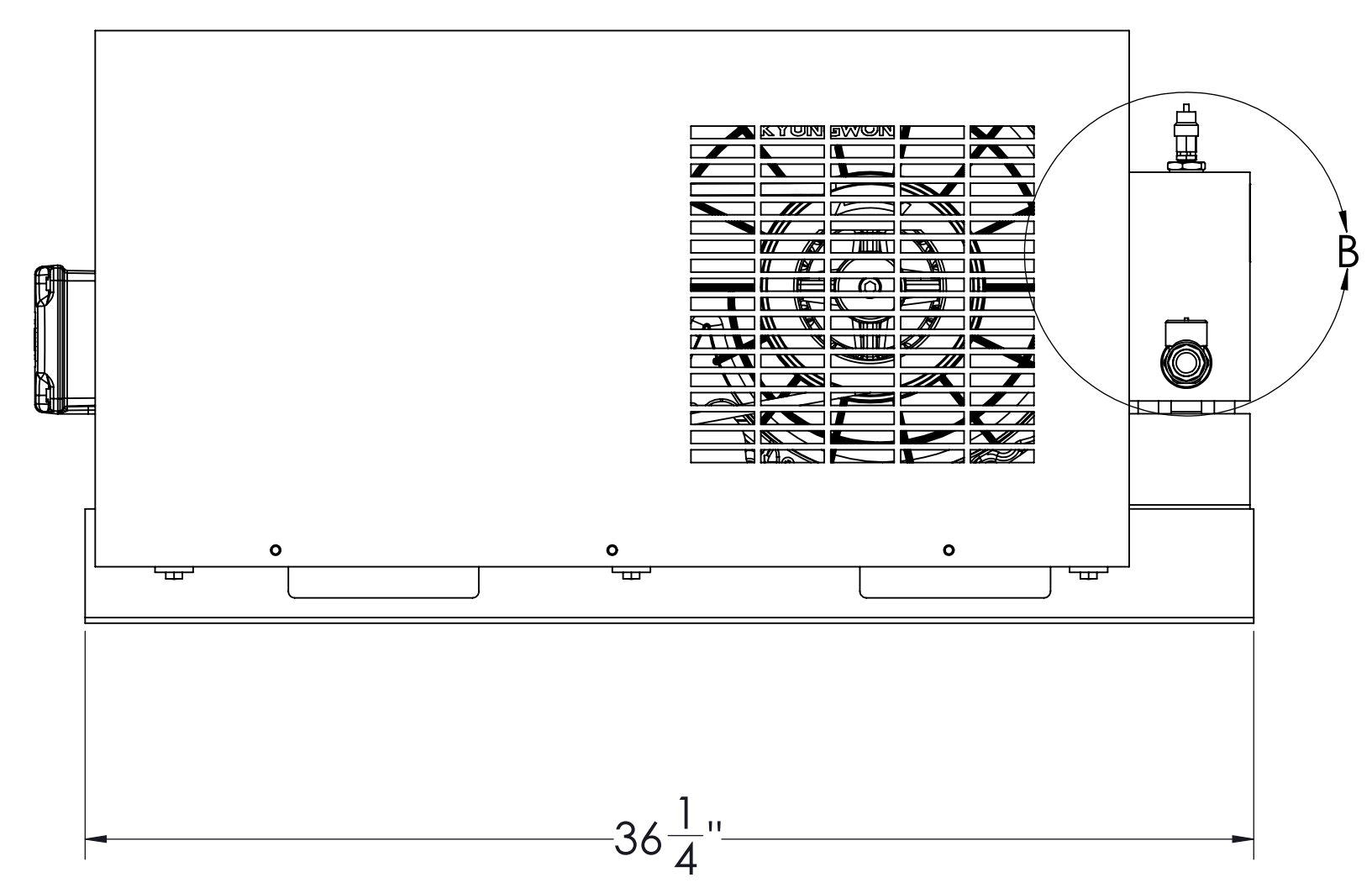
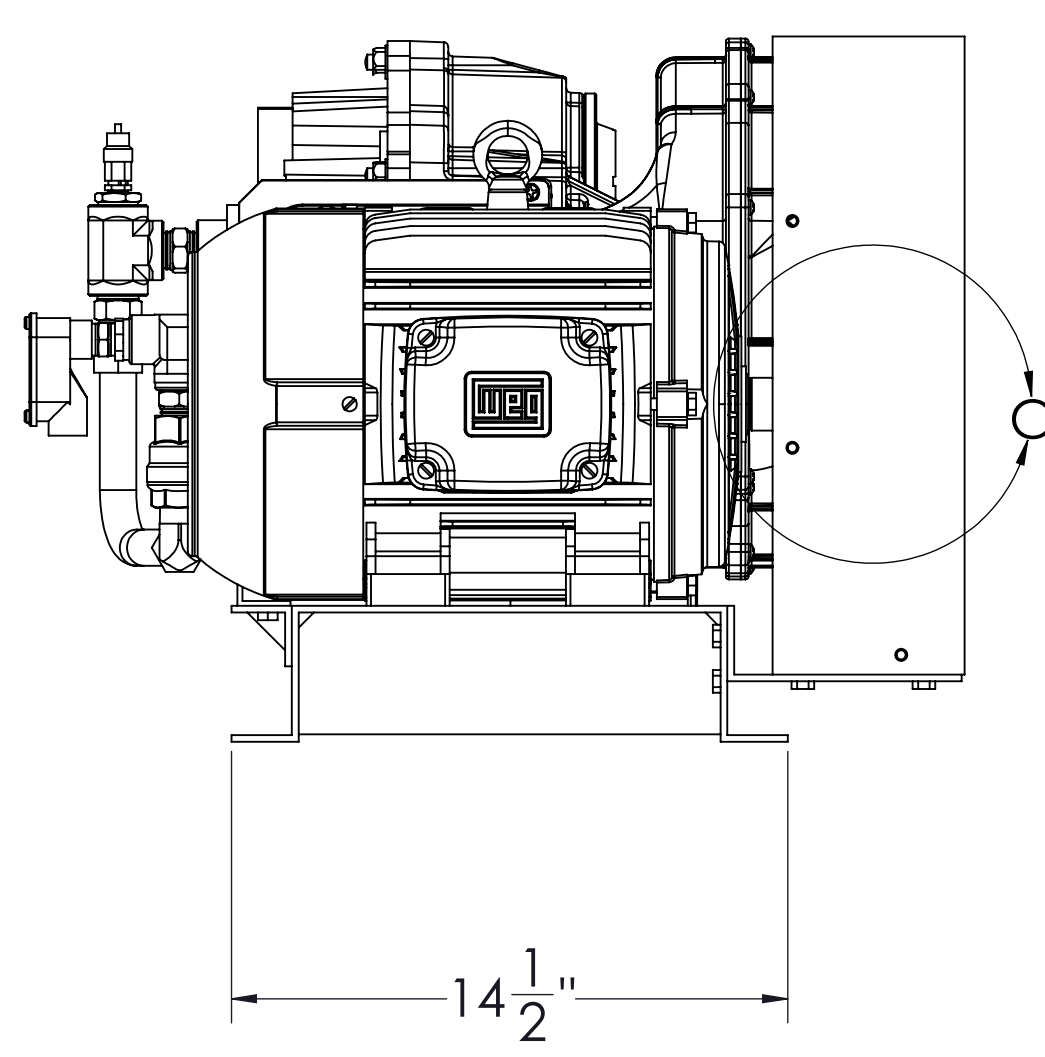
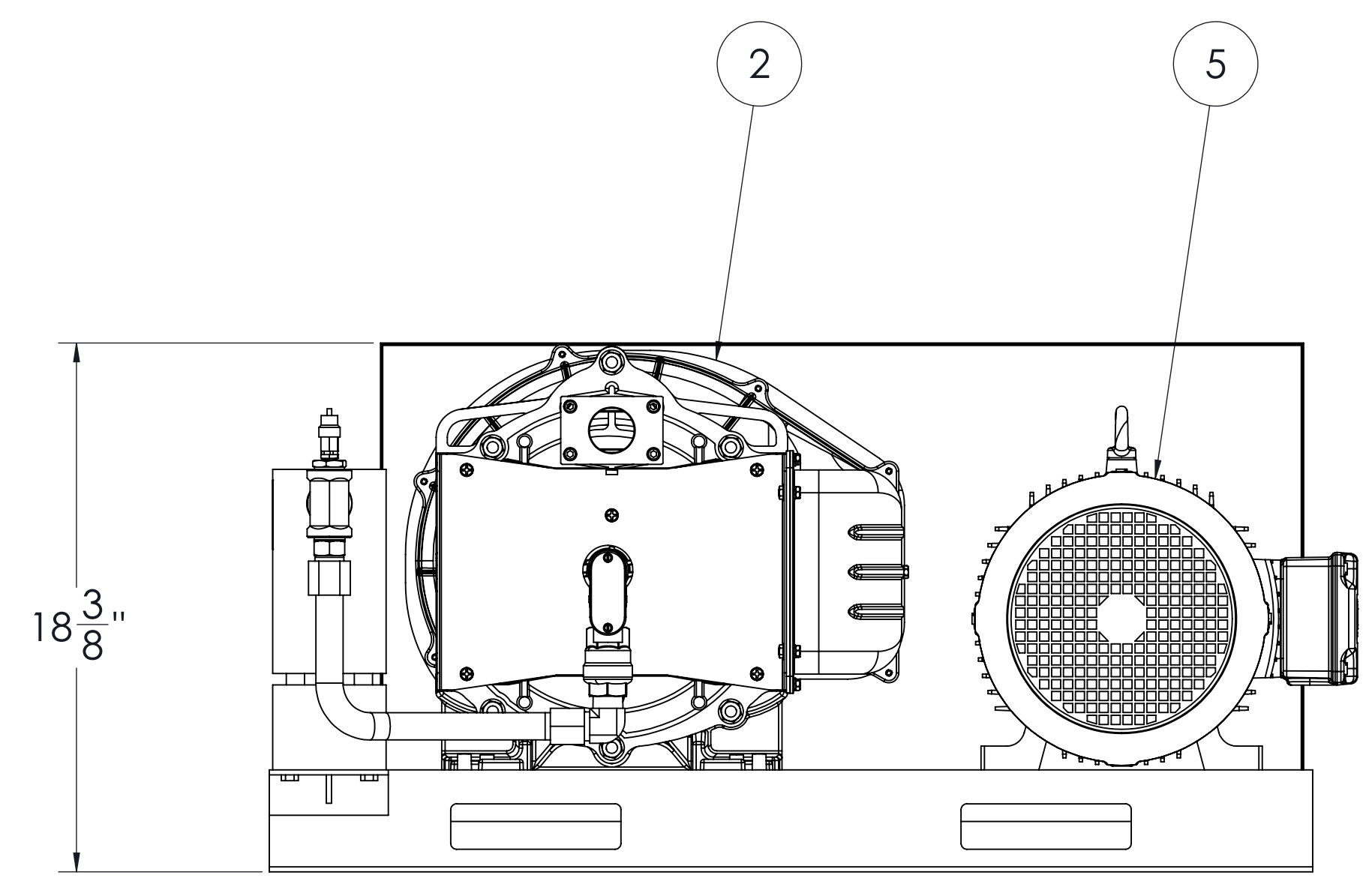
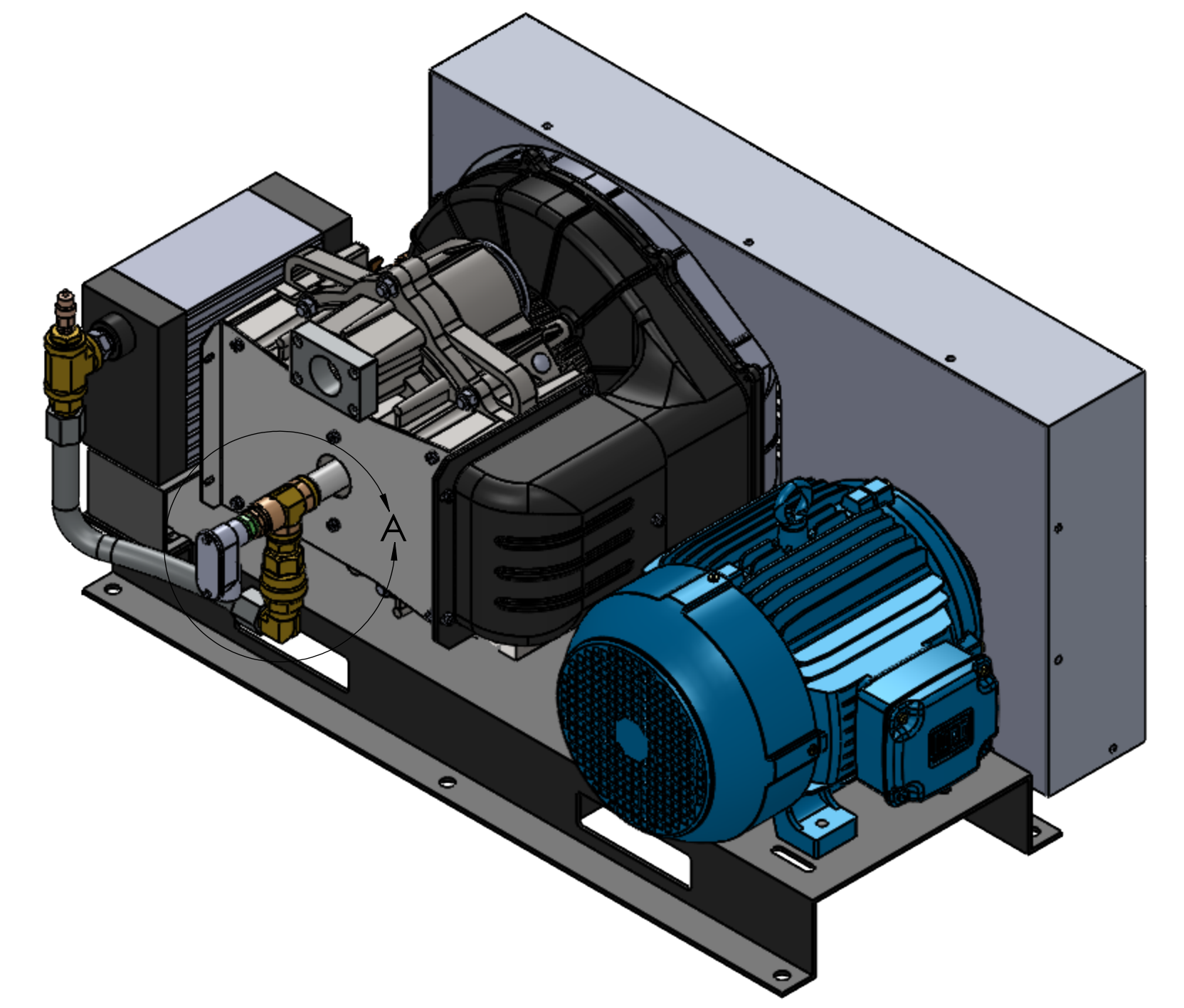
ITEM NO.	QTY.	PART NUMBER	DESCRIPTION	REF NOTE
1	1	211038	TEMP. SWITCH, 425F N.C.	
2	1	230084-LM	COMPRESSOR MODULE, AIR, SCROLL 7.5/10 HP LESS MOTOR	
3	2	230165	BELT, SCROLL 7.5 HP, 3VX-590	
4	1	230167	PULLEY, MOTOR SIDE, 7.5 HP SCROLL COMPRESSOR	
5	1	244271	MOTOR, 7.5HP ODP 1800RPM 213T	
6	1	A-12541-1	ENTRANCE ELBOW W/ GASKET, 1/2" NPT	
7	1	B-12102-7	.75 X 2" NPT BRASS NIPPLE	
8	2	B-12103-34	3/4 TO 1 1/2" NPT BUSHING	
9	2	B-12108-5	3/4" Threaded Tee	



DETAIL A
SCALE 1 : 4



DETAIL B
SCALE 1 : 4



DETAIL C
SCALE 1 : 4

REV	CR. NO.	DESCRIPTION OF CHANGE	DATE	BY
01	N/A	INITIAL RELEASE	12/07/2022	F.L.

DO NOT SCALE DRAWING
UNLESS OTHERWISE SPECIFIED:
DIMENSIONS ARE IN INCHES AND
TOLERANCES ARE:
.XX ± 0.1
.XXX ± 0.01
X.XXX ± 0.005
XXX ± 1"

THIRD ANGLE PREDICTION

FINISH

FILE NAME
 100-0228.SLDDRW

ITEM DESCRIPTION
 AIR COMPRESSOR MODULE, 7.5 HP SCROLL, 208-230/460V

DWG SIZE
 B

DRAWING NUMBER
 100-0228

SCALE
 1:8

REV
 01

SHEET
 1 OF 1

OHIO MEDICAL
 always there for life

RIGHT & COPYRIGHTS BY OHIO MEDICAL, LLC

CONFIDENTIAL: THIS DRAWING AND THE DESIGN REPRESENTED THEREIN ARE THE PROPERTY OF OHIO MEDICAL, LLC AND HAS BEEN ISSUED WITH THE UNDERSTANDING THAT NEITHER DRAWING NOR THE INFORMATION THEREIN IS TO BE USED OR DISCLOSED, EITHER IN WHOLE OR IN PART, EXCEPT AS SPECIFICALLY AUTHORIZED BY OHIO MEDICAL, LLC AND SHALL BE RETURNED UPON REQUEST.

REV: 01
100-0228