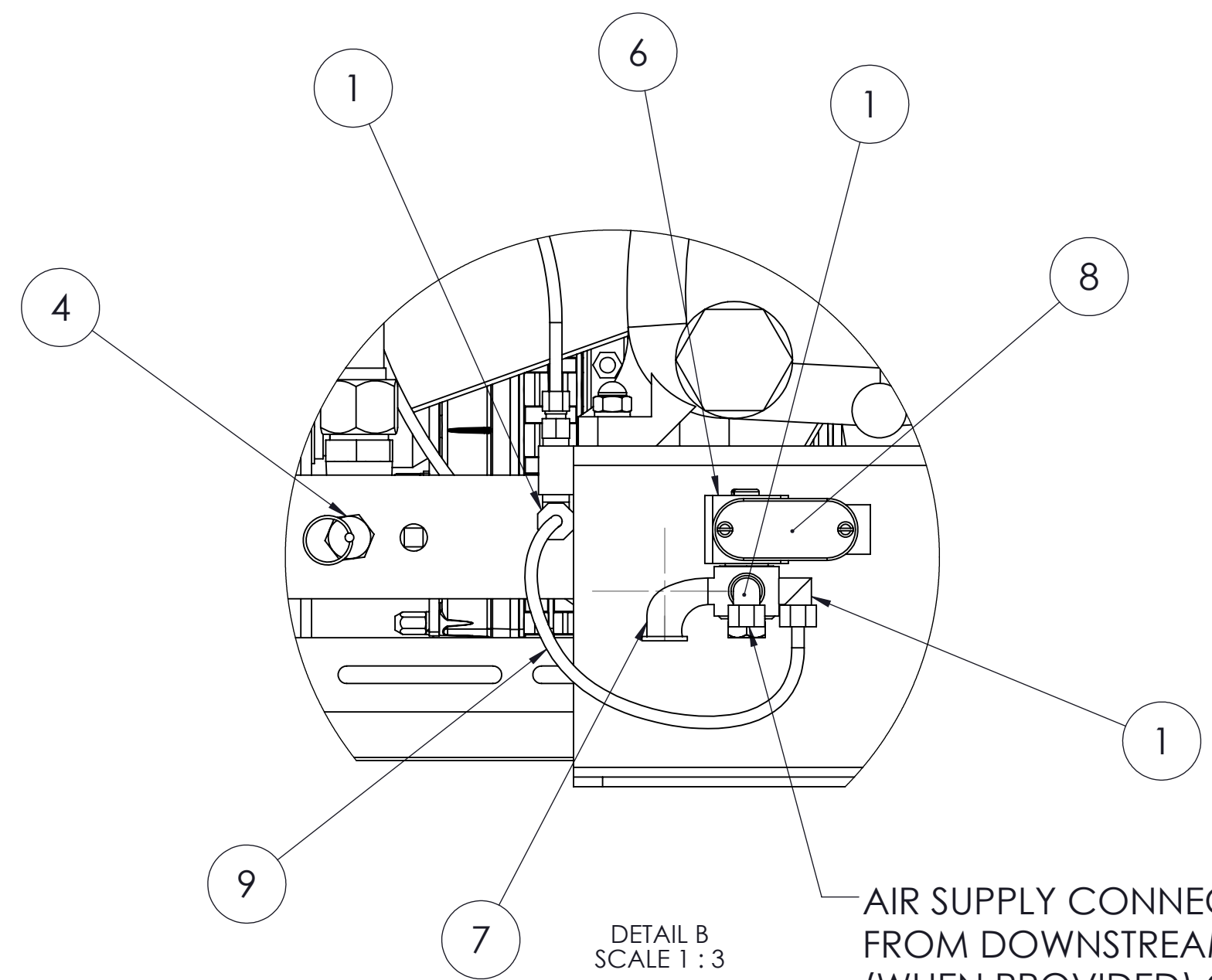
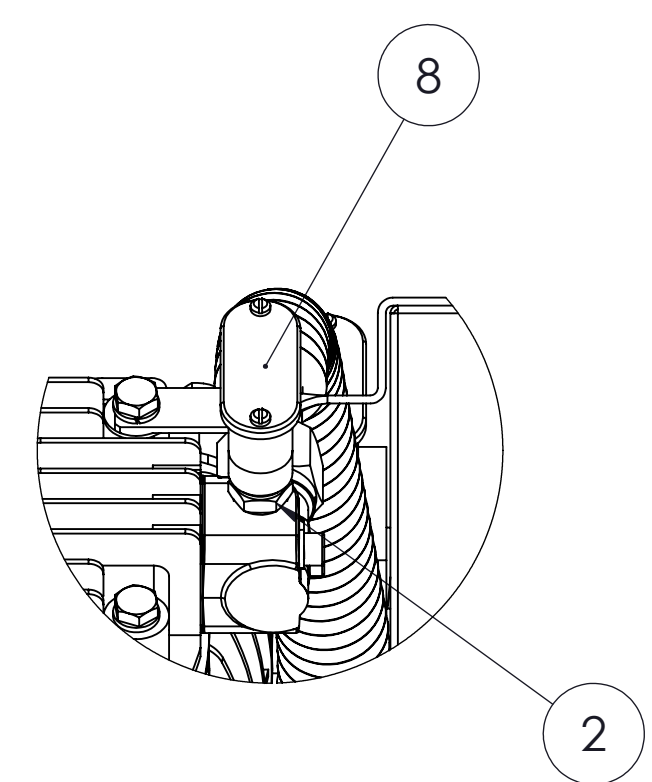


24"
APPROX.

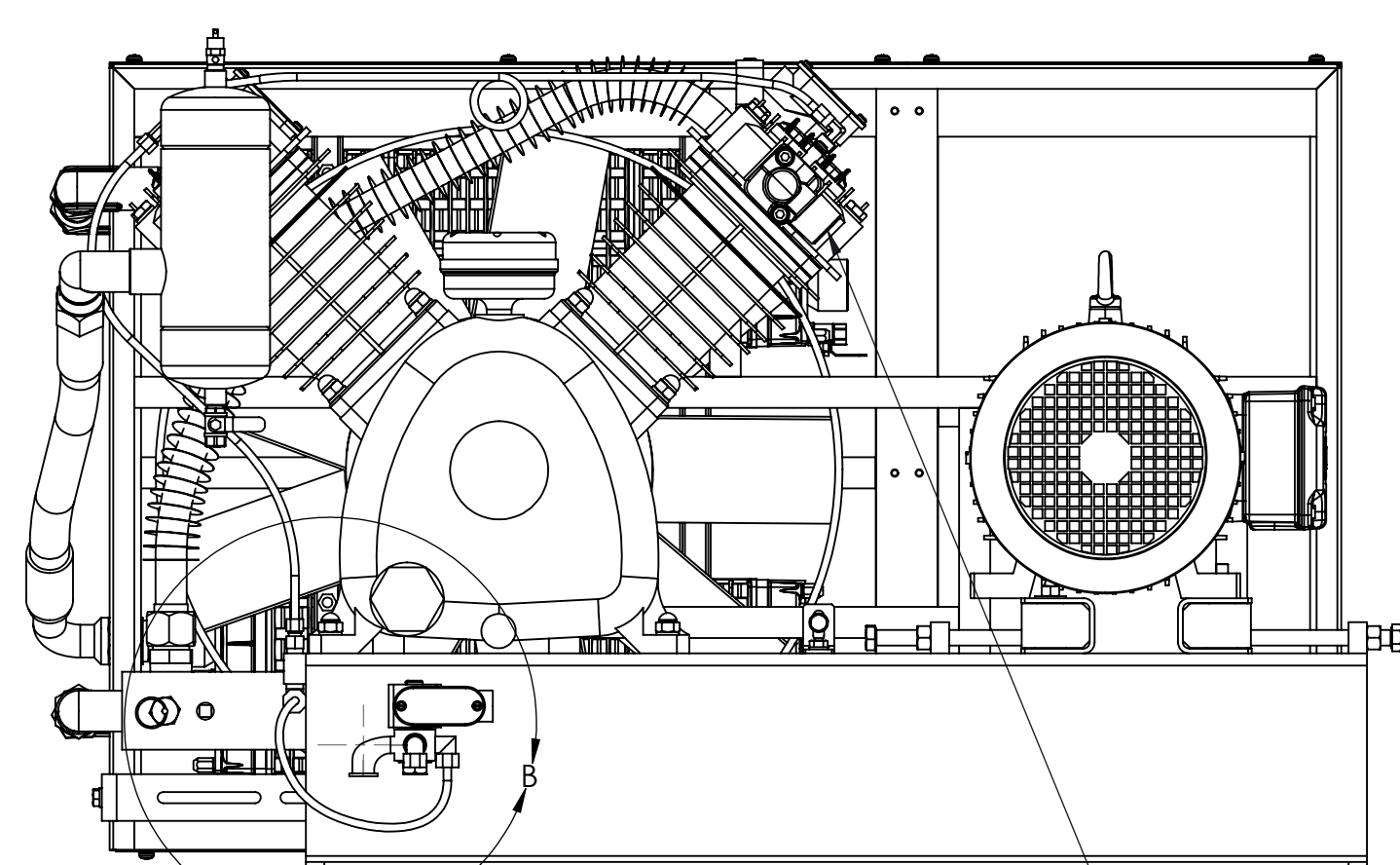
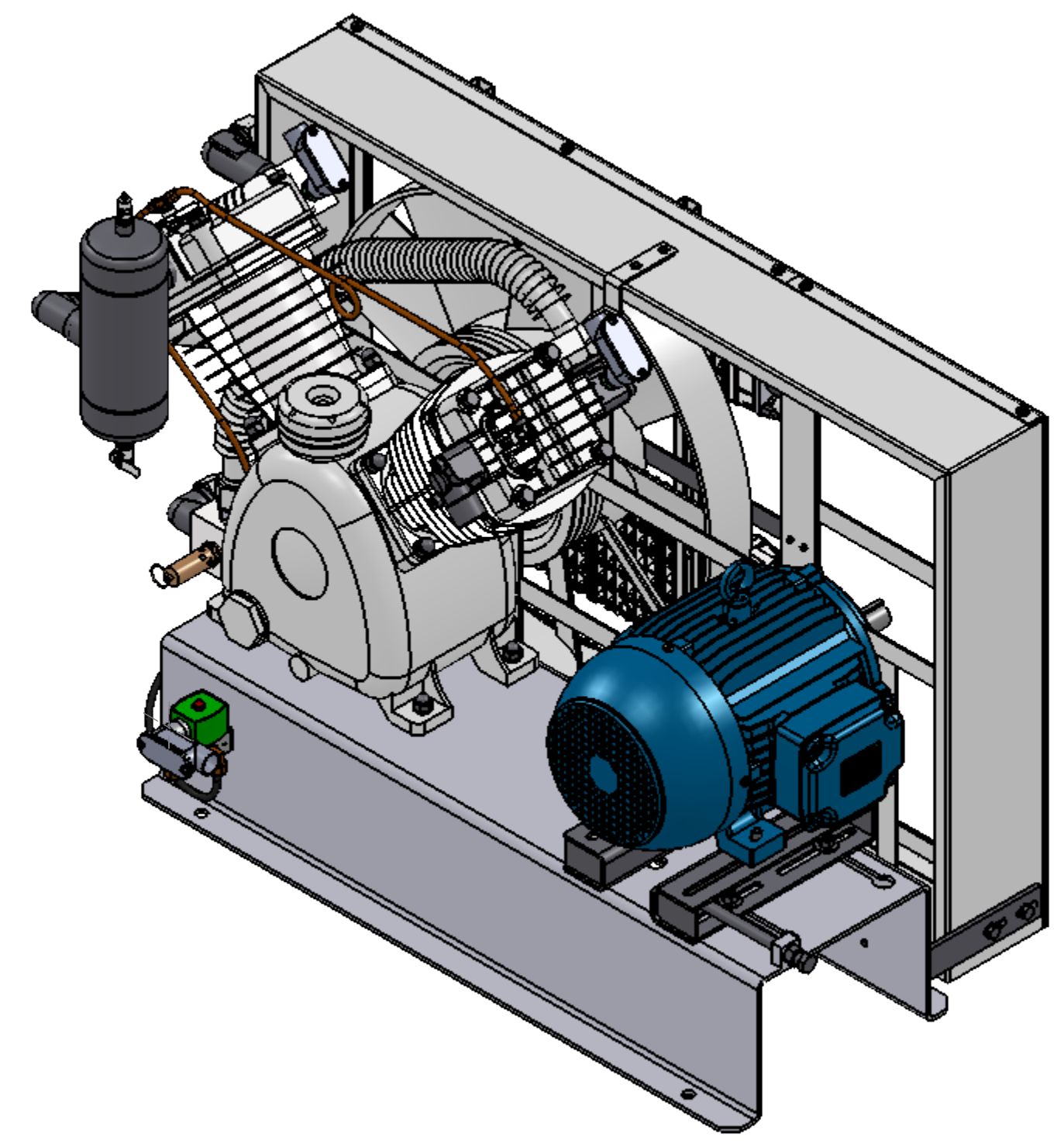


DETAIL B
SCALE 1:3

AIR SUPPLY CONNECTION
FROM DOWNSTREAM OF DRYER
(WHEN PROVIDED) OR FROM
AIR RECEIVER

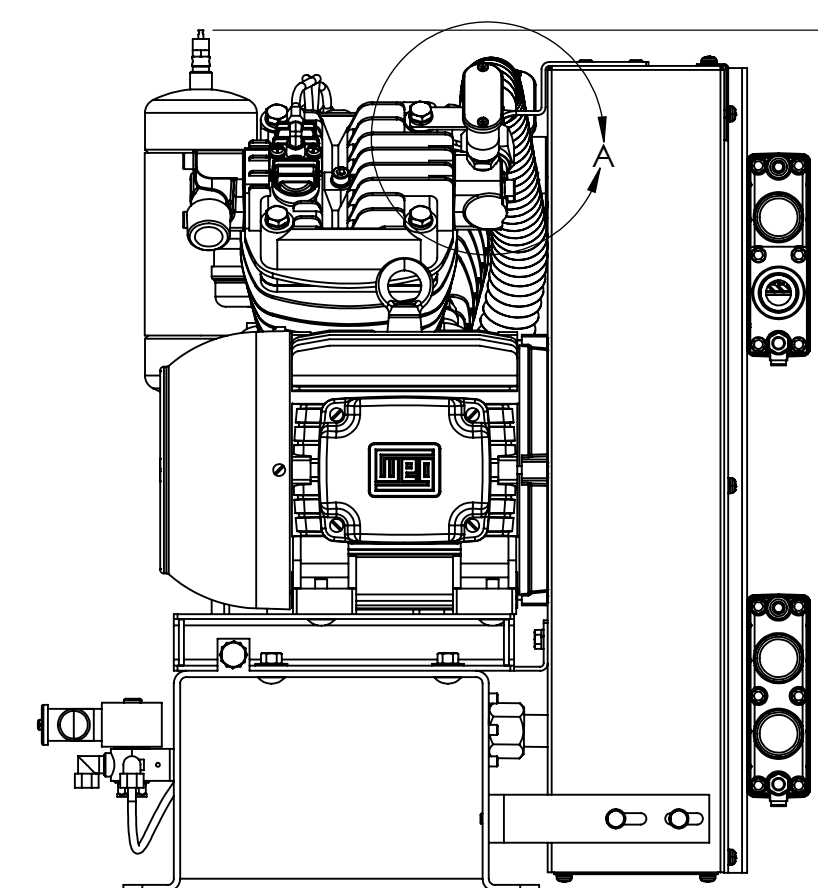


DETAIL A
SCALE 1:3



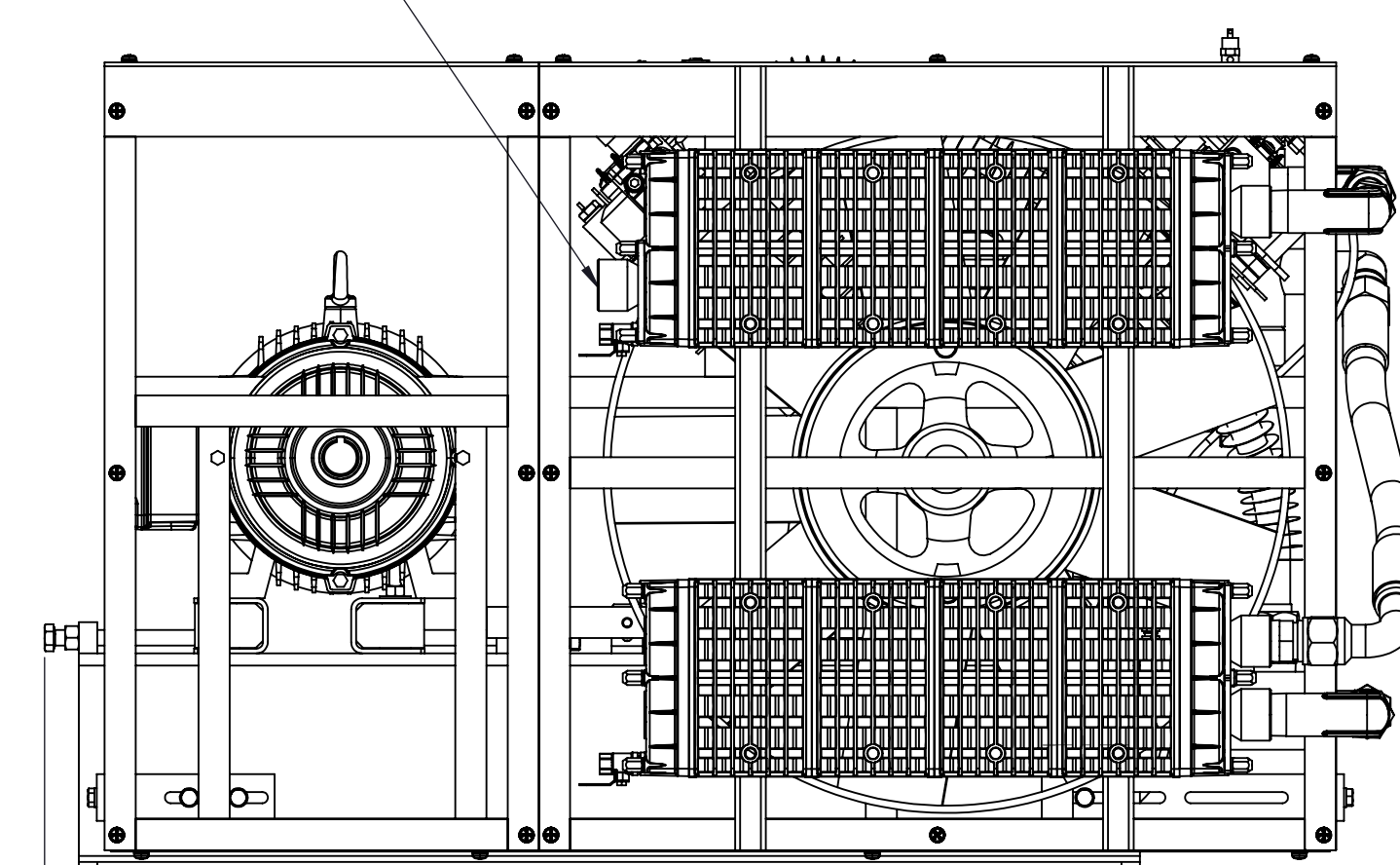
1" NPT AIR INLET CONNECTION

34"



27"
APPROX.

13"



44"
APPROX.

ITEM NO.	QTY.	PART NUMBER	DESCRIPTION	REF NOTE
1	3	101073-2	1/4" NPT MALE ELBOW, COMPRESSION	
2	2	211038	TEMP. SWITCH, 425F N.C.	
3	1	230160	COMPRESSOR MODULE, OMC, 5HP 2-STAGE, SIMPLEX LESS MOTOR	
4	1	232266	RELIEF VLV, 1/2" 175 PSIG/316 SCFM	
5	1	244270	MOTOR, 5 HP ODP 1800 RPM, 184T	
6	1	246029	SOLENOID VALVE, 1/4" 3-WAY	
7	1	A-12100-2	1/2" NPT STREET ELBOW	
8	3	A-12541-1	ENTRANCE ELBOW W/ GASKET, 1/2" NPT	
9	1	A-12616-1	TUBING, 1/4" O.D. POLYETHYLENE (12" LONG)	

01	N/A	INITIAL RELEASE	07/22/19	F.L.
REV	ECO NO.	DESCRIPTION OF CHANGE	DATE	BY
DO NOT SCALE DRAWING		DRAWN BY	DATE	
UNLESS OTHERWISE SPECIFIED, DIMENSIONS ARE IN INCHES AND TOLERANCES ARE:		F. LOPEZ	07/22/19	
.X.X ± 0.050		CHECKED BY	DATE	
.X.XX ± 0.020		APPROVED BY	DATE	
.X.XXX ± 0.005				
THIRD ANGLE PROJECTION	MATERIAL		ITEM DESCRIPTION	
	N/A	RECIPROCATING AIR COMPRESSOR MODULE, 5 HP 2-STAGE, 208-230/460V		
FILE NAME	N/A	SCALE: 1:8	MODEL PT5-M	01
100-0260.SLDDRW				SHEET 1 OF 1

REV 01
100-0260



COPYRIGHT & COPYRIGHT D BY OHIO MEDICAL LLC

CONFIDENTIAL: THIS DRAWING AND THE DESIGN REPRESENTED THEREIN ARE THE PROPERTY OF OHIO MEDICAL AND HAS BEEN ISSUED WITH THE UNDERSTANDING THAT NEITHER DRAWING NOR THE INFORMATION THEREIN IS TO BE USED OR REPRODUCED, EITHER IN WHOLE OR PART, EXCEPT AS SPECIFICALLY AUTHORIZED BY OHIO MEDICAL AND SHALL BE RETURNED UPON REQUEST.