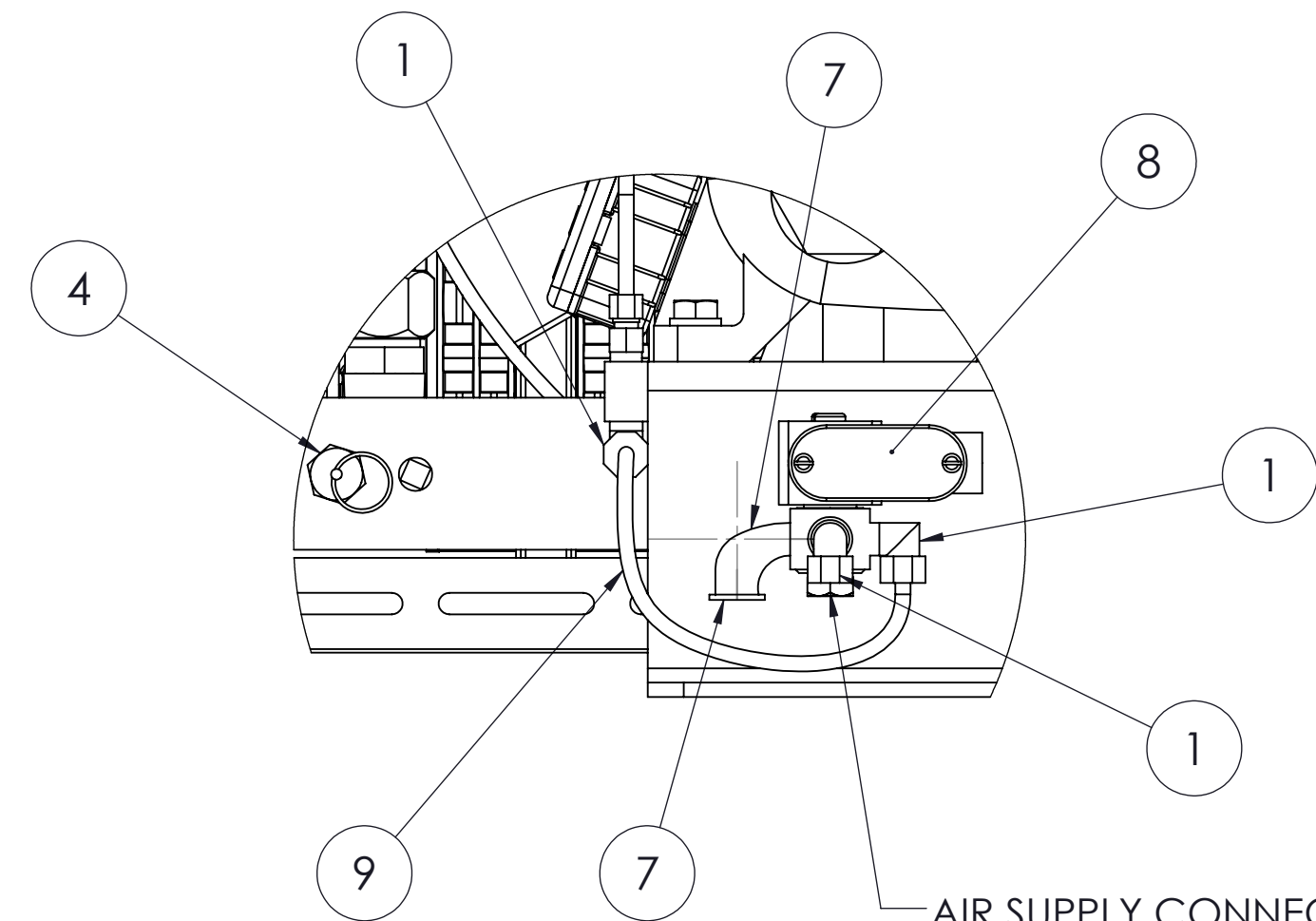
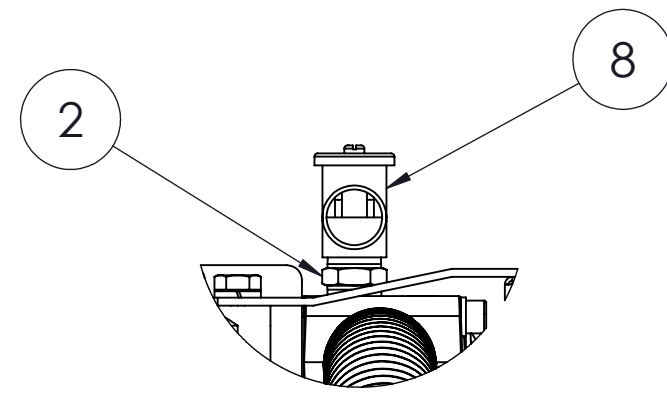


ITEM NO.	QTY.	PART NUMBER	DESCRIPTION	REF NOTE
1	3	101073-2	1/4" NPT MALE ELBOW, COMPRESSION	
2	3	211038	TEMP. SWITCH, 425F N.C.	
3	1	230162	COMPRESSOR MODULE, OMC, 10HP 2-STAGE, SIMPLEX LESS MOTOR	
4	1	232266	RELIEF VLV, 1/2" 175 PSIG/316 SCFM	
5	1	244271	MOTOR, 7.5HP ODP 1800RPM 213T	
6	1	246029	SOLENOID VALVE, 1/4" 3-WAY	
7	1	A-12100-2	1/2" NPT STREET ELBOW	
8	4	A-12541-1	ENTRANCE ELBOW W/ GASKET, 1/2" NPT	
9	1	A-12616-1	TUBING, 1/4" O.D. POLYETHYLENE (12" LONG)	



AIR SUPPLY CONNECTION FROM DOWNSTREAM OF DRYER (WHEN PROVIDED) OR FROM AIR RECEIVER

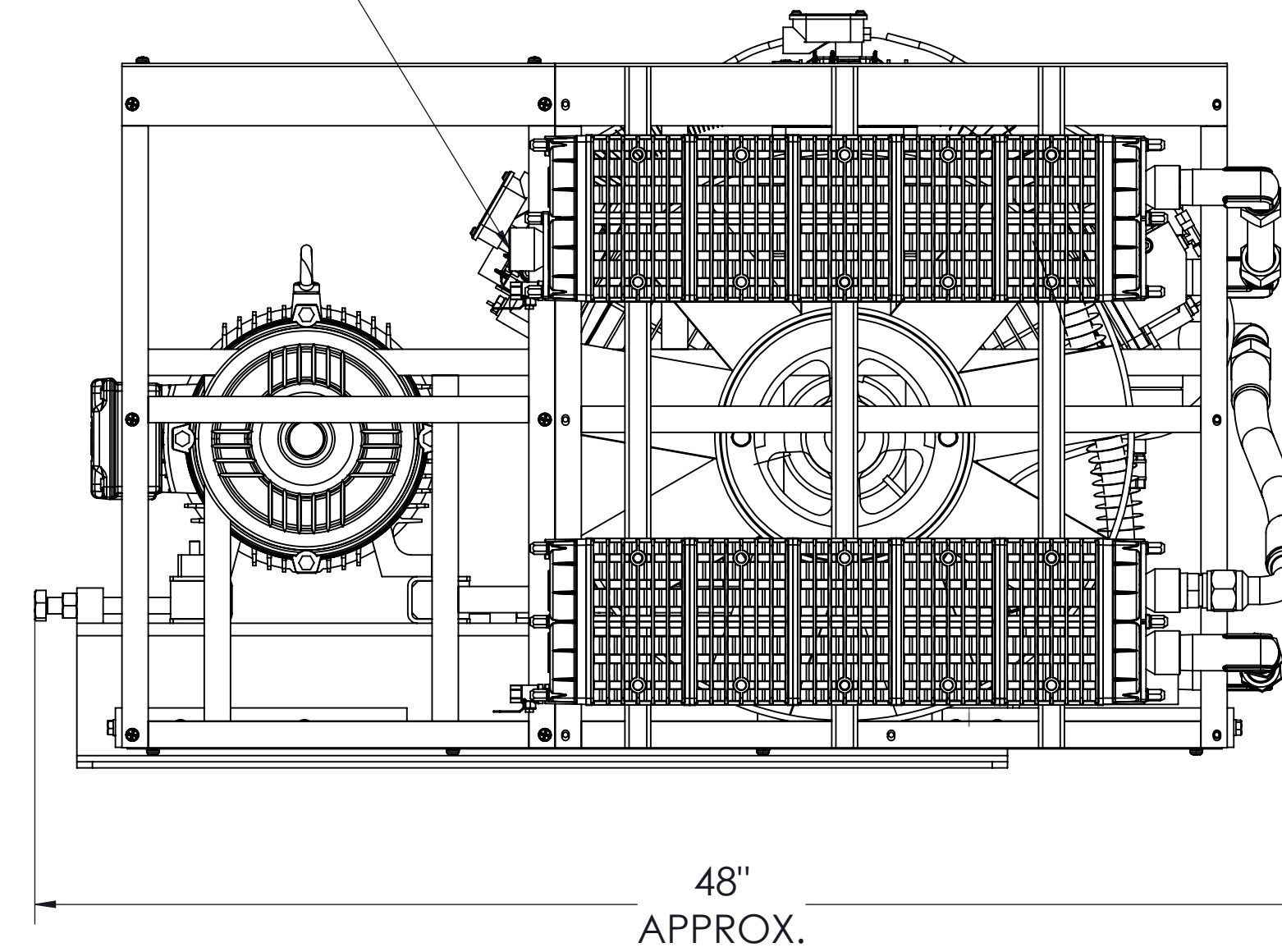
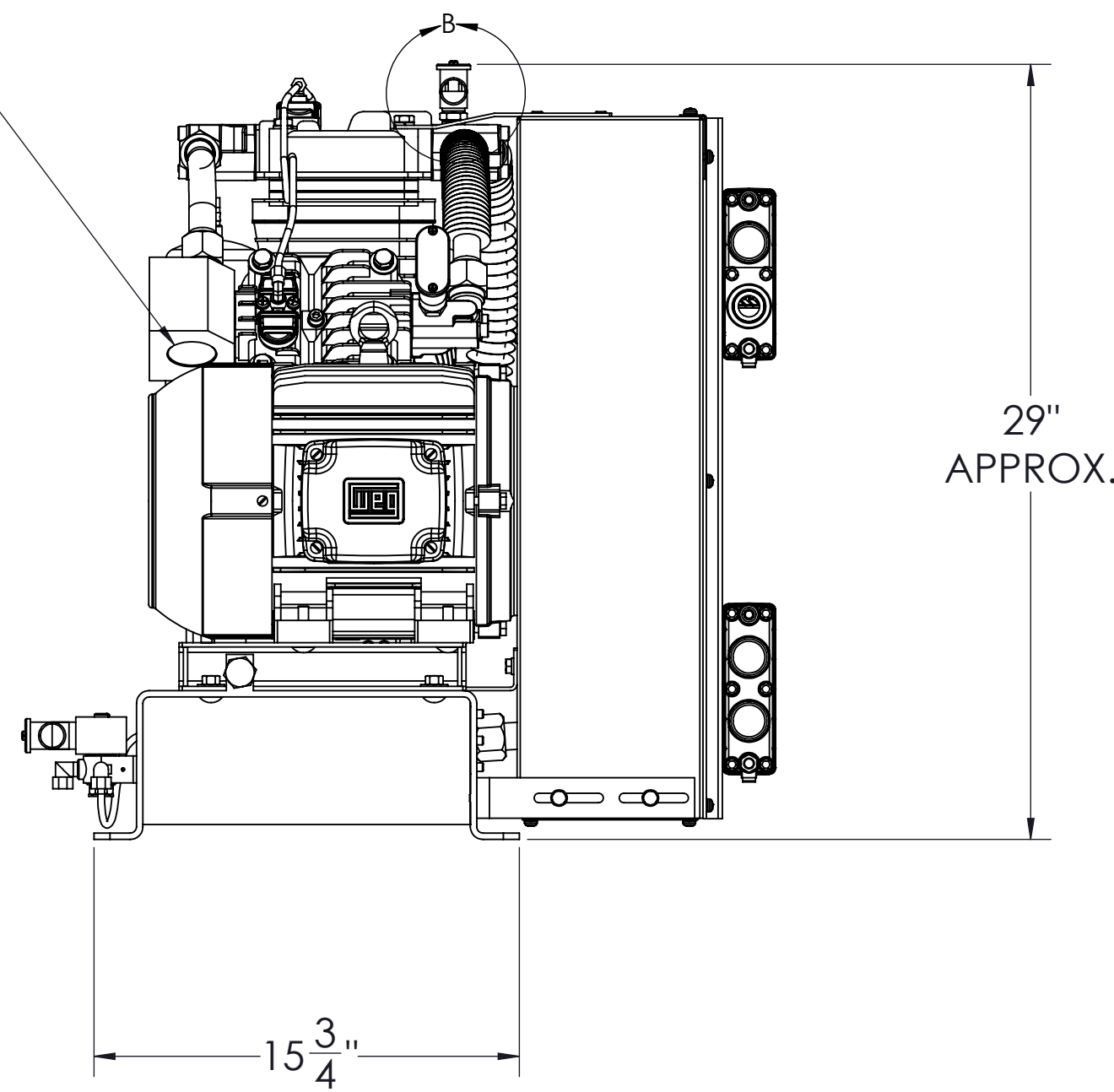
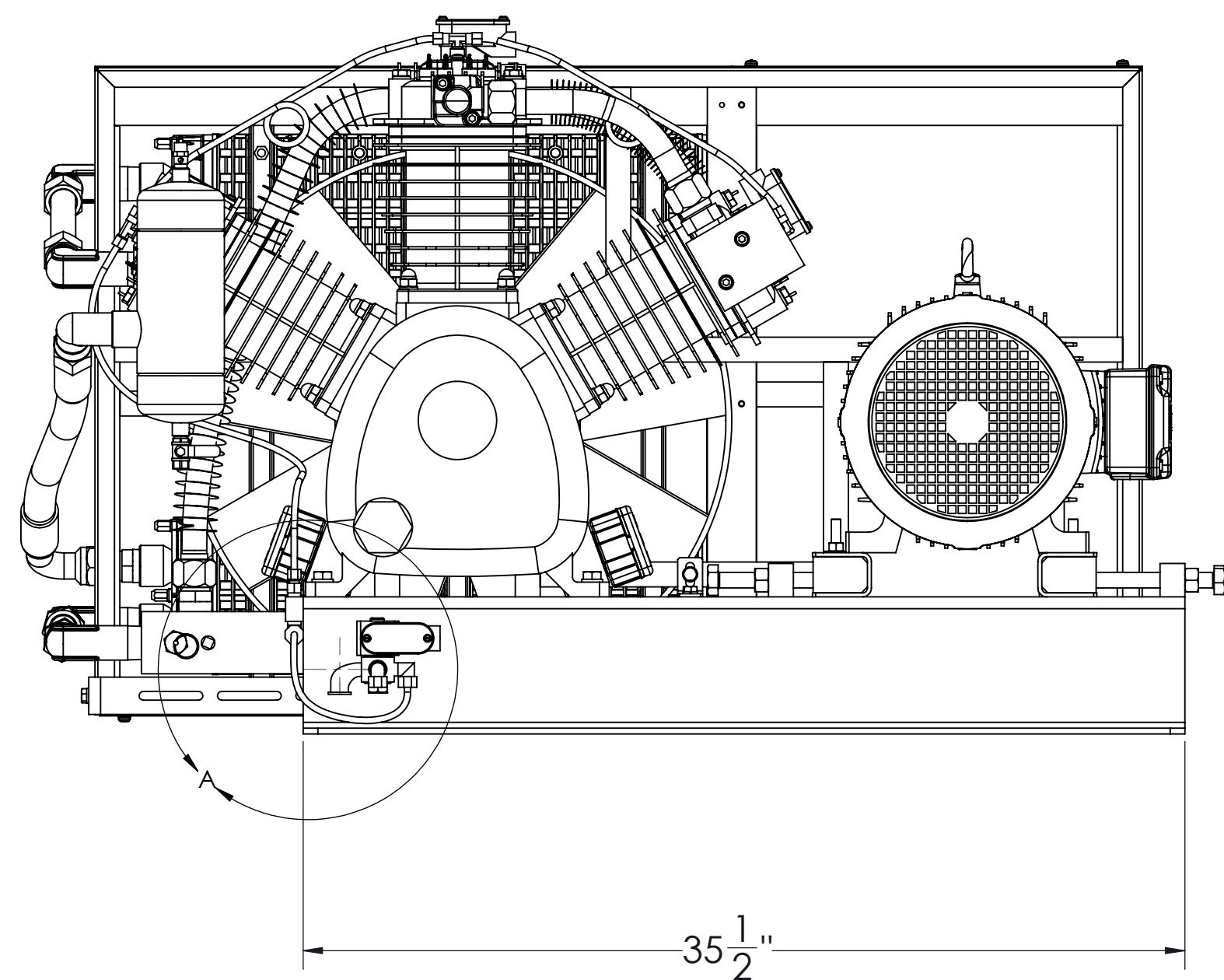
DETAIL A SCALE 1:3



DETAIL B SCALE 1:3

1-1/2" NPT AIR INLET CONNECTION

1" NPT AIR DISCHARGE CONNECTION



01	N/A	INITIAL RELEASE	11/18/19	F.L.
REV	ECO NO.	DESCRIPTION OF CHANGE	DATE	BY
DO NOT SCALE DRAWING		DRAWN BY	DATE	
UNLESS OTHERWISE SPECIFIED, DIMENSIONS ARE IN INCHES AND TOLERANCES ARE:		F. LOPEZ	11/18/19	
.X.X ± 0.050		CHECKED BY	DATE	
.X.XX ± 0.020		APPROVED BY	DATE	
.X.XXX ± 0.005				
THIRD ANGLE PREDILECTION				
MATERIAL	N/A	ITEM DESCRIPTION		
FINISH	N/A	RECIPROCATING AIR COMPRESSOR MODULE, 7.5 HP 2-STAGE 208-230/460V		
FILE NAME	100-0261.SLDDRW	DWG SIZE	B	REV 01
		SCALE	1:8	SHEET 1 OF 1



COPYRIGHT & COPYRIGHT D BY OHIO MEDICAL LLC

CONFIDENTIAL: THIS DRAWING AND THE DESIGN REPRESENTED THEREIN ARE THE PROPERTY OF OHIO MEDICAL AND HAS BEEN ISSUED WITH THE UNDERSTANDING THAT NEITHER DRAWING NOR THE INFORMATION THEREIN IS TO BE USED OR DISCLOSED, EITHER IN WHOLE OR IN PART, EXCEPT AS SPECIFICALLY AUTHORIZED BY OHIO MEDICAL AND SHALL BE RETURNED UPON REQUEST.

REV 01
B 100-0261