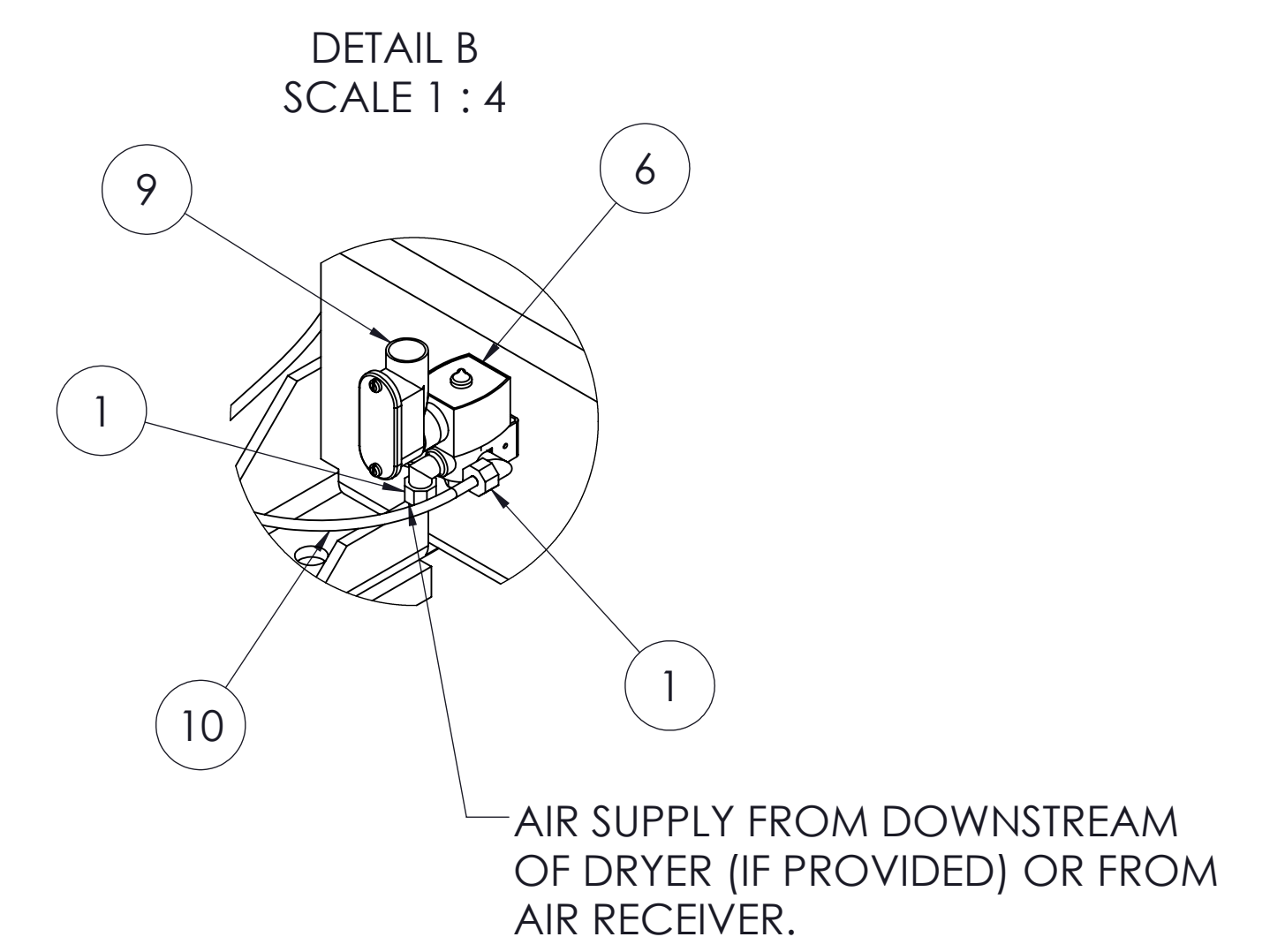
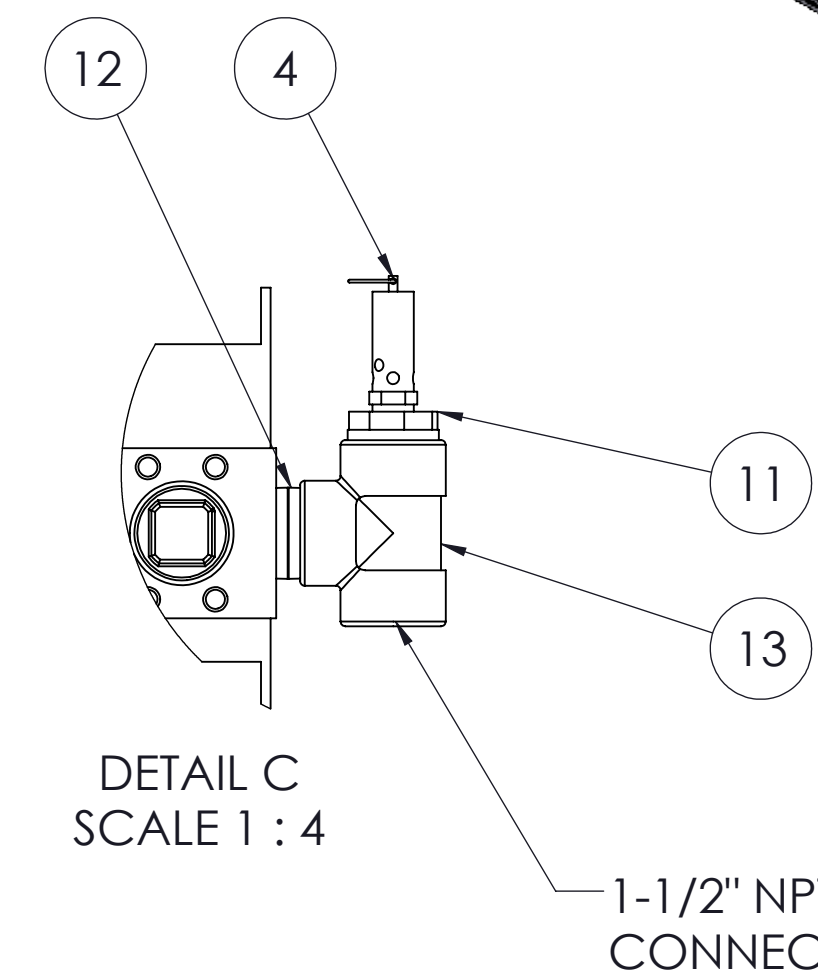
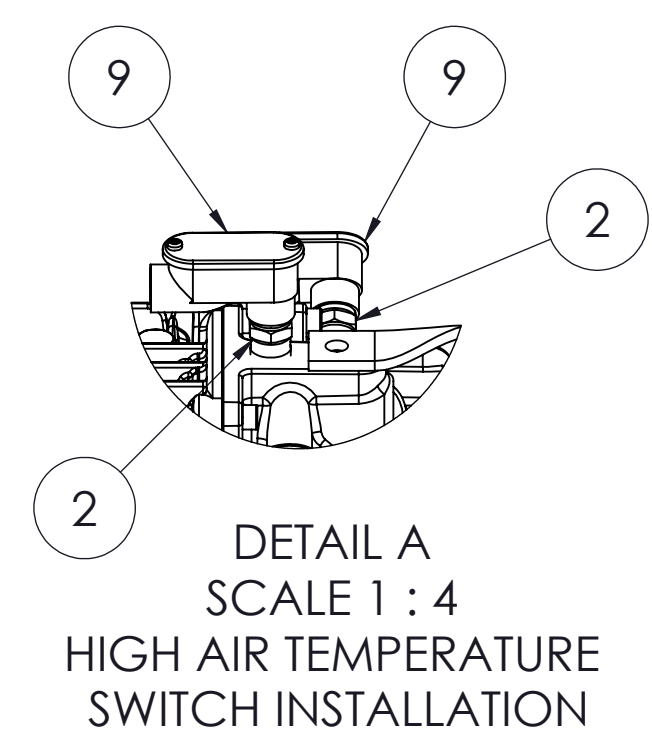
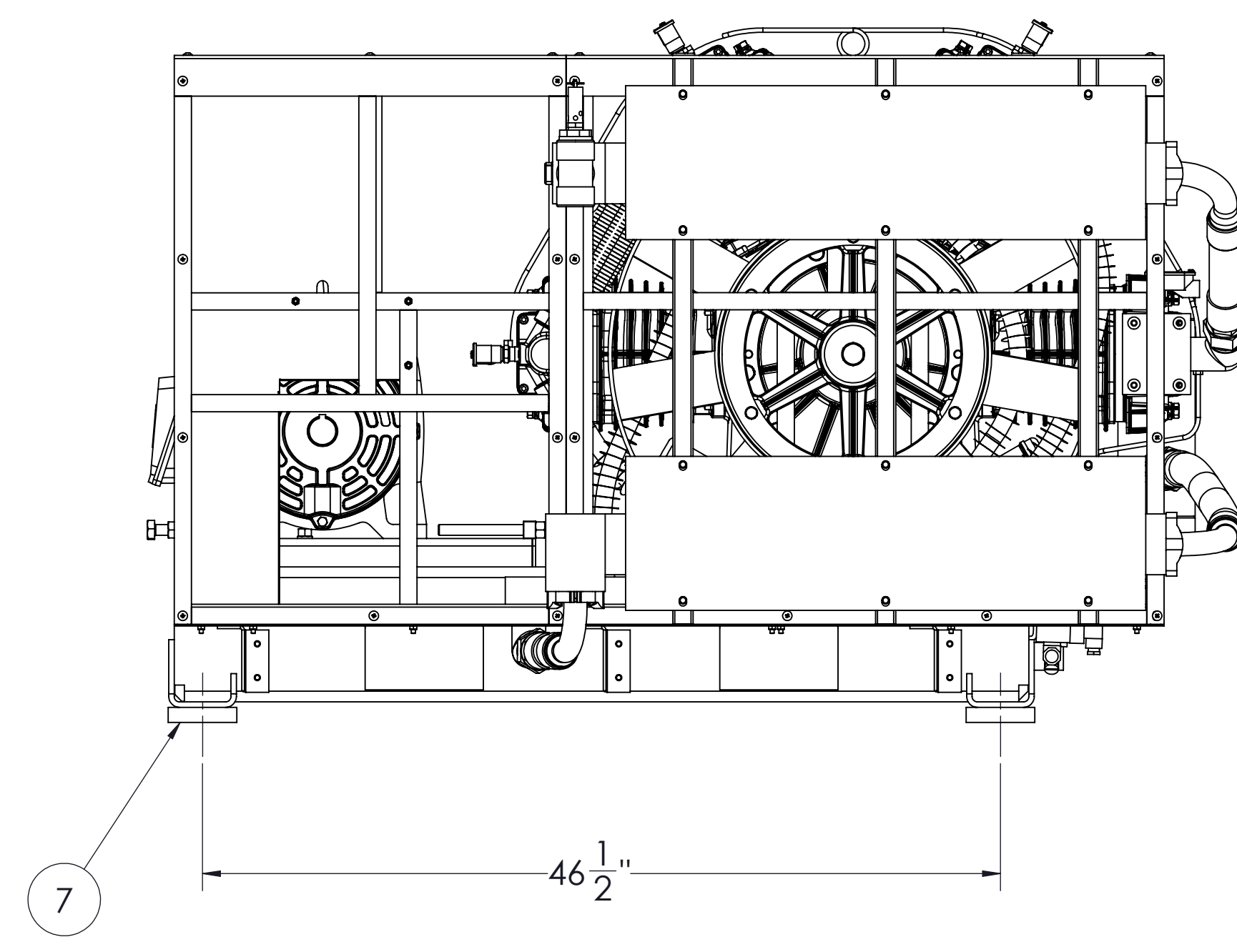
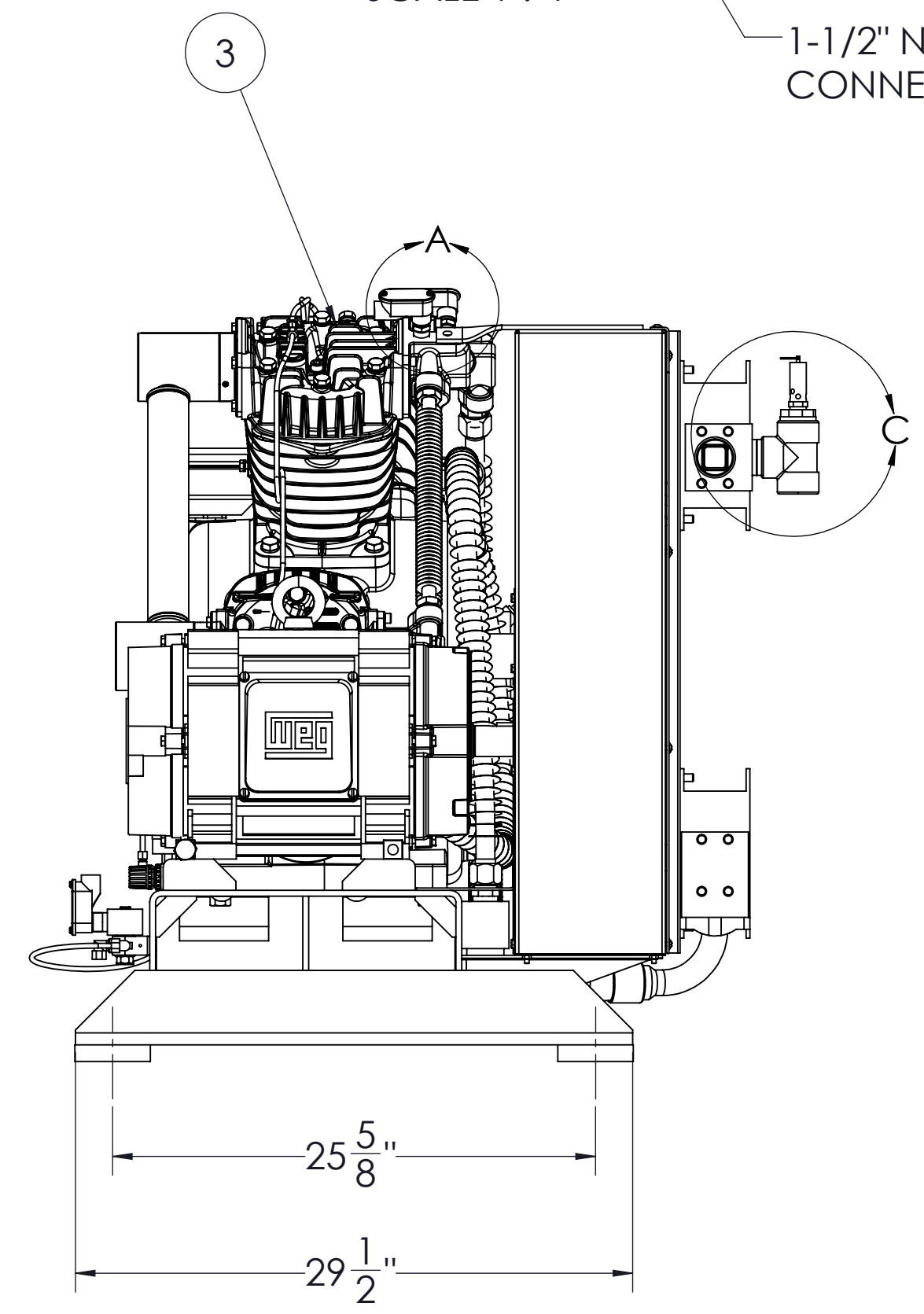
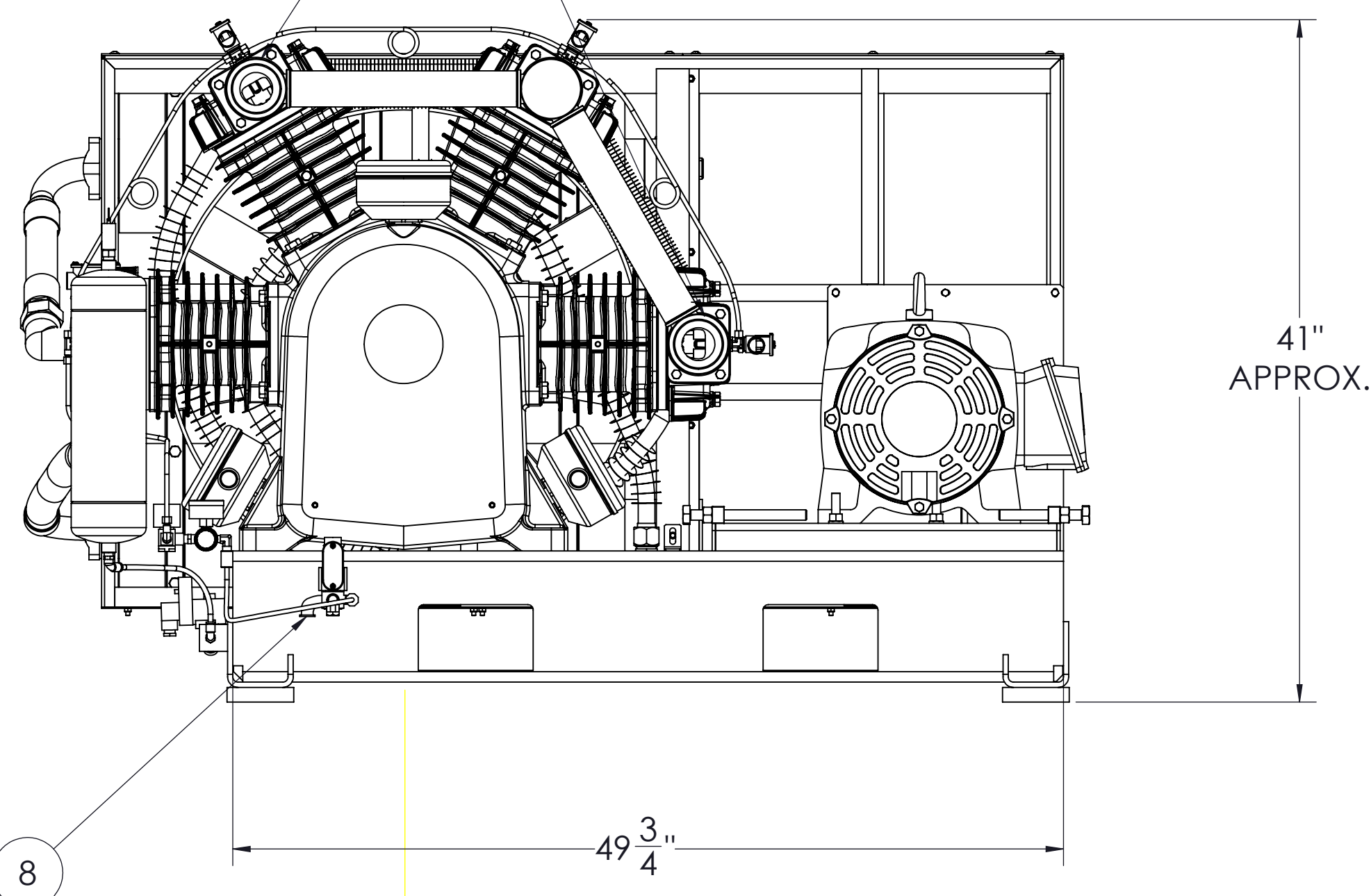


ITEM NO.	QTY.	PART NUMBER	DESCRIPTION	REF NOTE
1	2	101073-2	1/4" NPT MALE ELBOW, COMPRESSION	
2	4	211038	TEMP. SWITCH, 425F N.C.	
3	1	230164	COMP. MODULE, OMC, 20/25/30 HP 2-STAGE, SIMPLEX LESS MOTOR	
4	1	232266	RELIEF VLV, 1/2" 175 PSIG/316 SCFM	
5	1	244285	MOTOR, 20HP, 1770RPM, ODP, 256T	
6	1	246029	SOLENOID VALVE, 1/4" 3-WAY	
7	4	248008	4"x4"x7/8" VIBRATION PAD	
8	1	A-12100-2	1/2" NPT STREET ELBOW	
9	5	A-12541-1	ENTRANCE ELBOW W/ GASKET, 1/2" NPT	
10	1	A-12616-1	TUBING, 1/4" O.D. POLYETHYLENE (24" LONG)	
11	1	B-12103-9	1-1/2 to 1/2" NPT BUSHING	
12	1	B-12105-8	1-1/2" NPT CLOSE NIPPLE	
13	1	B-12108-8	1-1/2" Threaded Tee	



2-1/2" NPT AIR INLET
CONNECTION.
2-OPTIONAL LOCATIONS



01	N/A	INITIAL RELEASE	06/22/20	F.L.
REV	CR. NO.	DESCRIPTION OF CHANGE	DATE	BY
<small>DO NOT SCALE DRAWING UNLESS OTHERWISE SPECIFIED DIMENSIONS ARE IN INCHES AND TOLERANCES ARE: XX ± 0.1 XXX ± 0.01 XXXX ± 0.005 XXXXX ± 0.001</small>				
DRAWN BY: F. LOPEZ		DATE: 06/22/20		
CHECKED BY:		DATE:		
APPROVED BY:		DATE:		<small>THIRD ANGLE PREDICTION</small>
ITEM DESCRIPTION: RECIPROCATING AIR COMPRESSOR MODULE, 20HP HIGH PRESSURE 208-230/460V				
FINISH:		DWG SIZE: B		REV: 01
FILE NAME: 100-0264.SLDDRW		SCALE: 1:8		SHEET 1 OF 1

100-0264

CONFIDENTIAL: THIS DRAWING AND THE DESIGN REPRESENTED THEREIN ARE THE PROPERTY OF OHIO MEDICAL, LLC AND HAS BEEN ISSUED WITH THE UNDERSTANDING THAT NEITHER DRAWING NOR THE INFORMATION THEREIN IS TO BE USED OR DISCLOSED, EITHER IN WHOLE OR IN PART, EXCEPT AS SPECIFICALLY AUTHORIZED BY OHIO MEDICAL, LLC AND SHALL BE RETURNED UPON REQUEST.