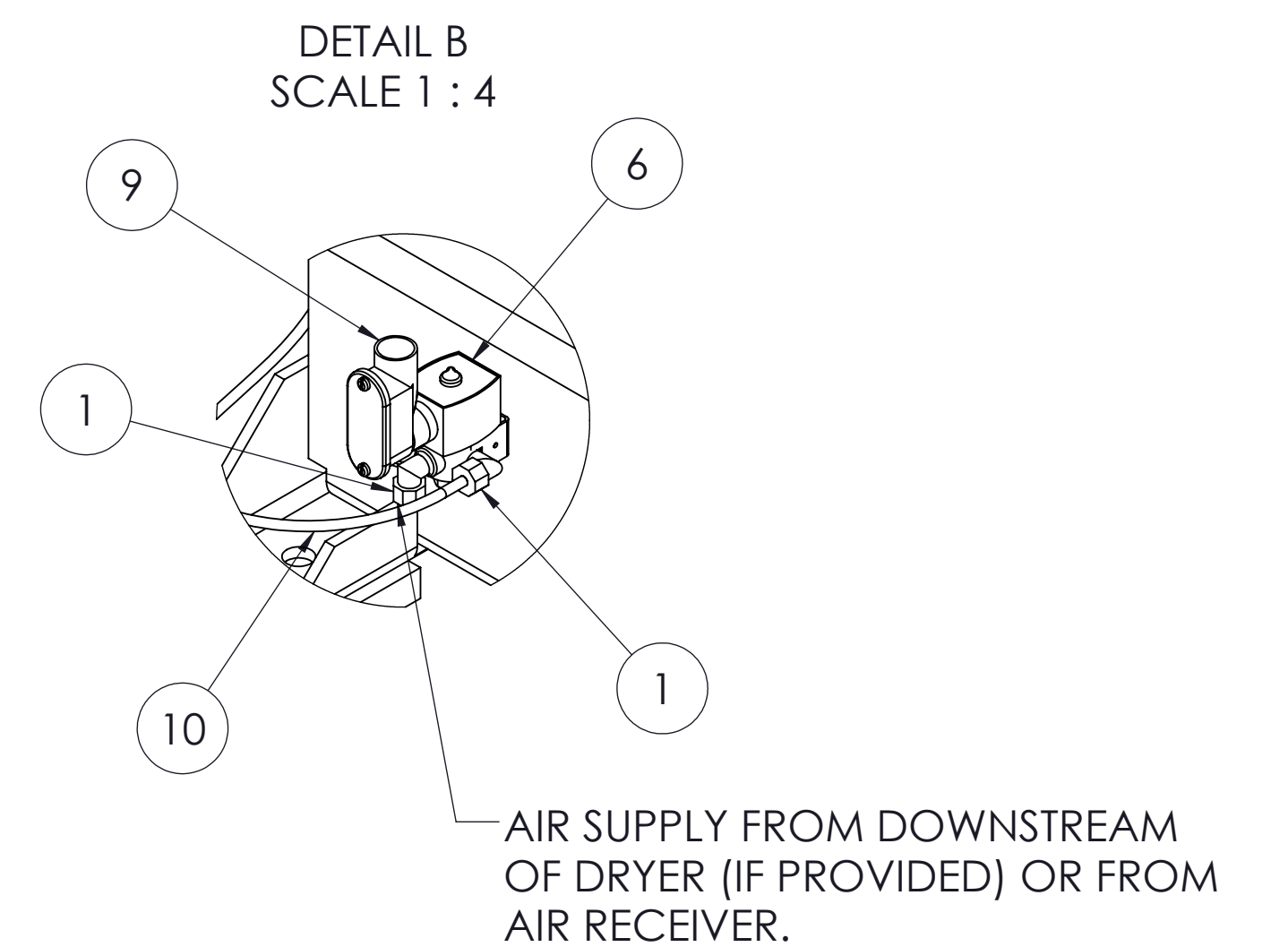
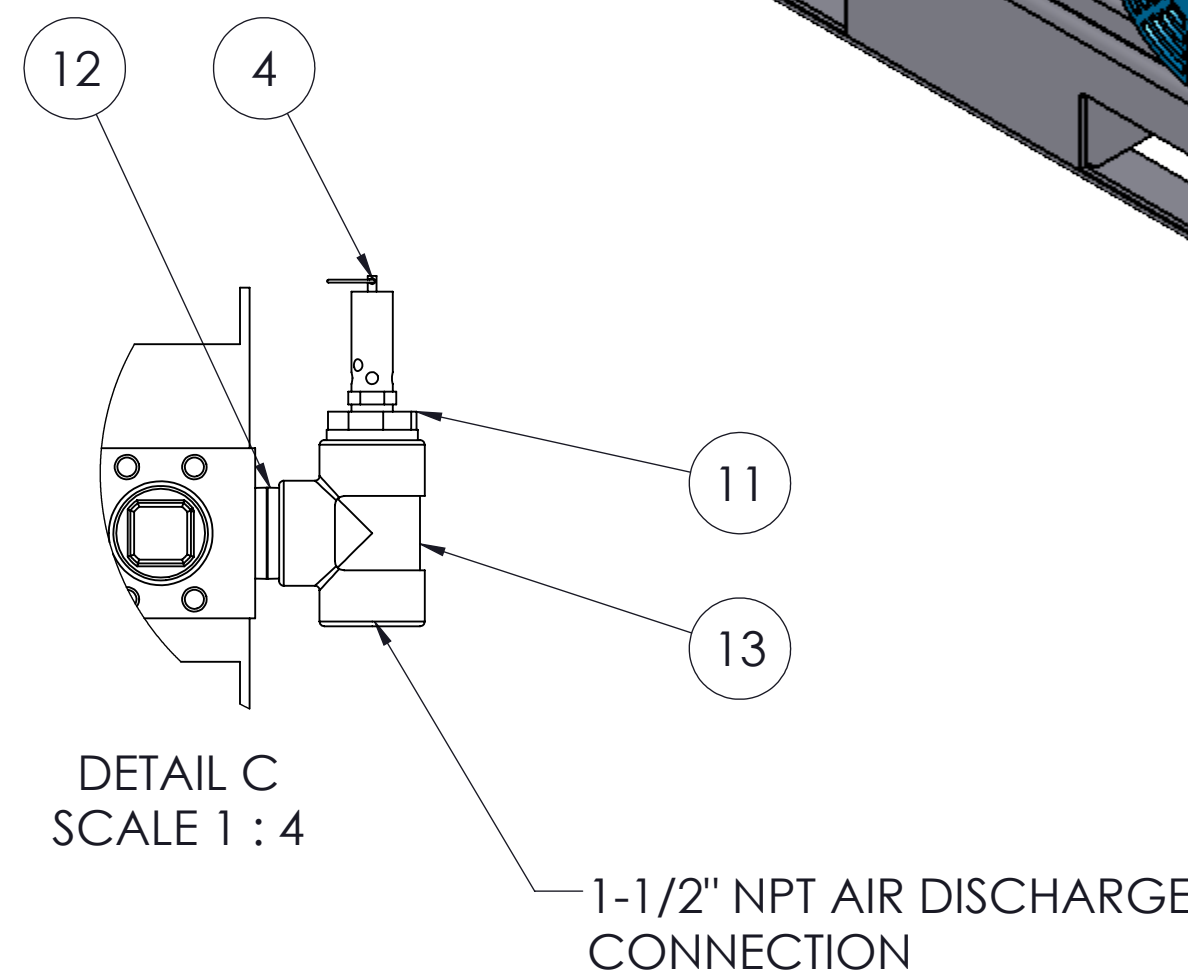
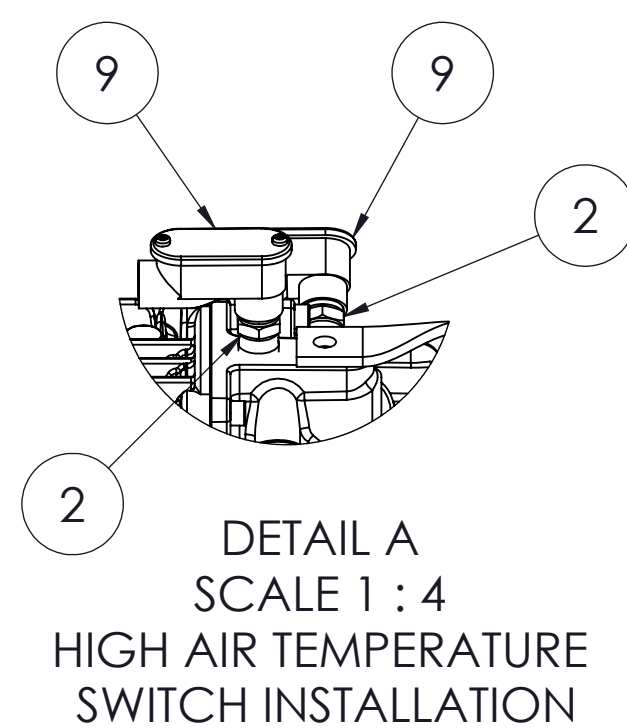
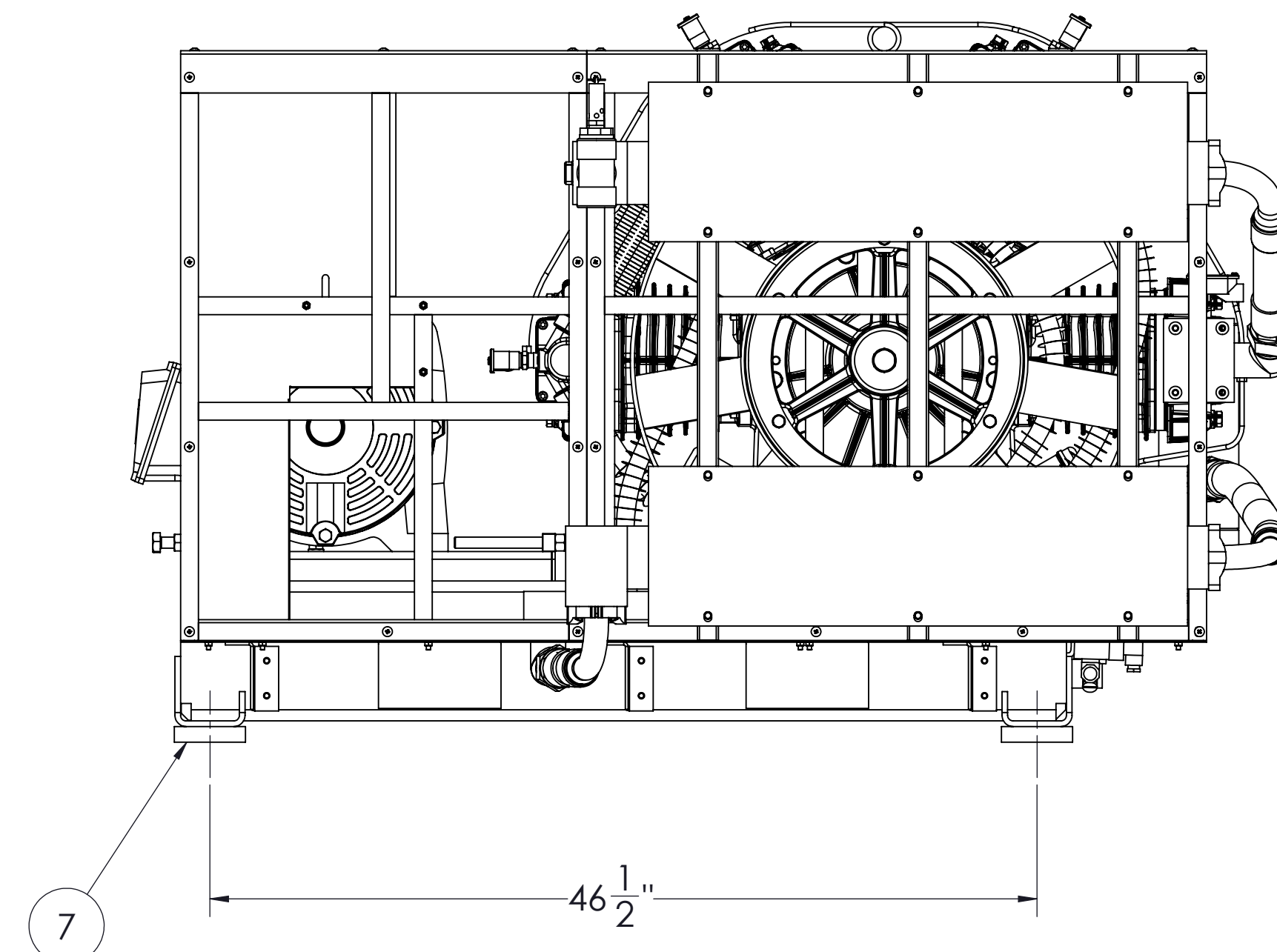
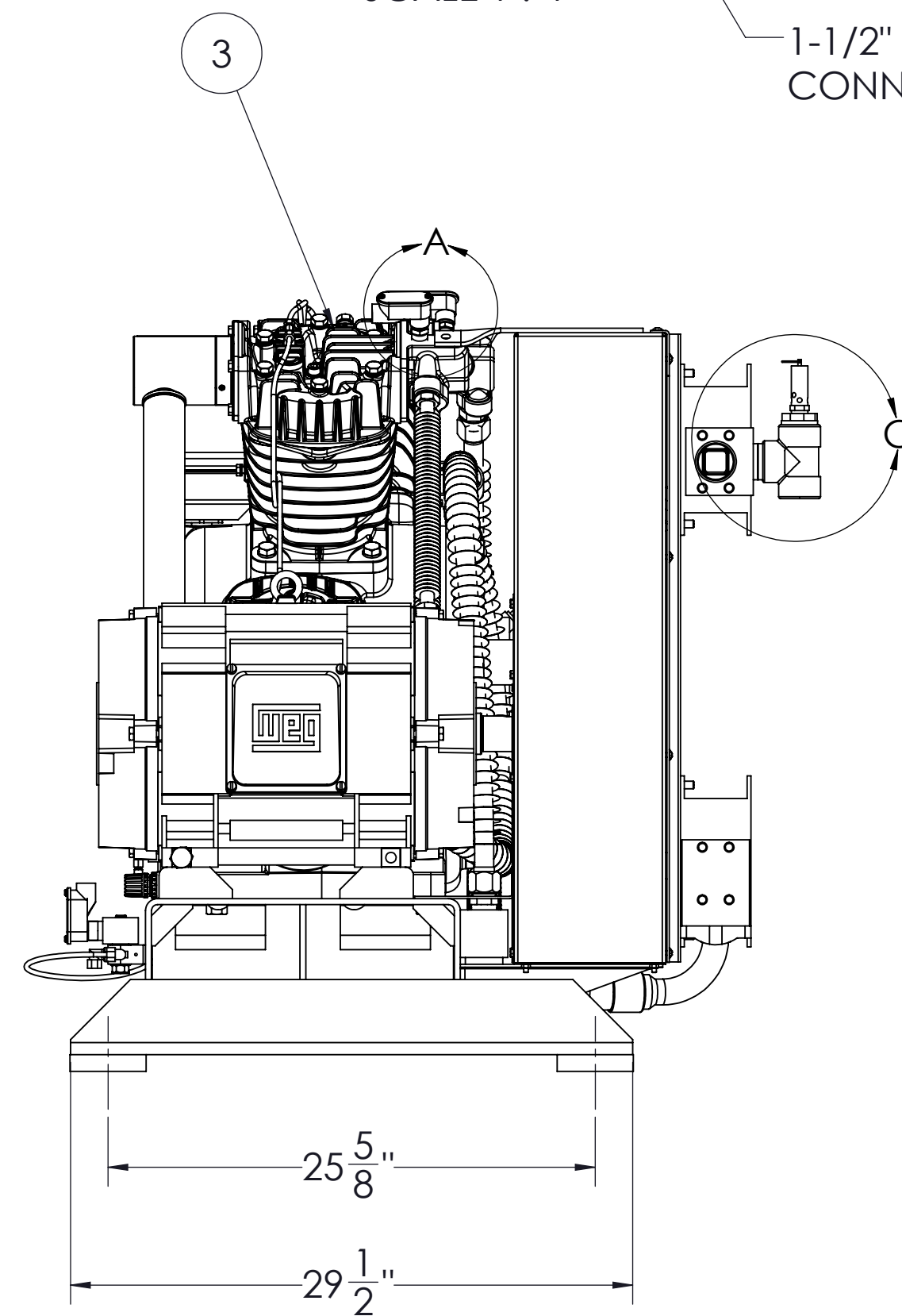
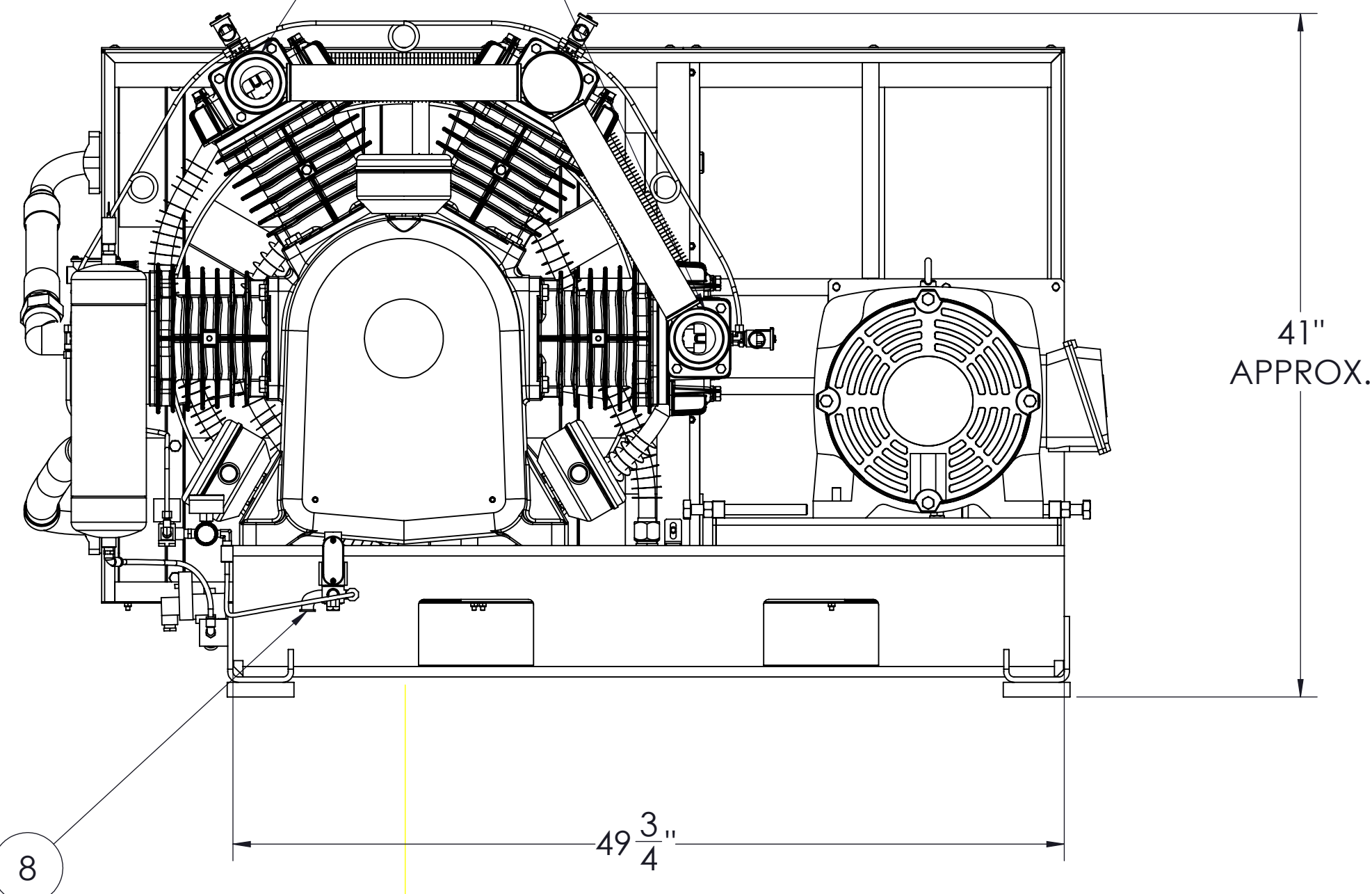


ITEM NO.	QTY.	PART NUMBER	DESCRIPTION	REF NOTE
1	2	101073-2	1/4" NPT MALE ELBOW, COMPRESSION	
2	4	211038	TEMP. SWITCH, 425F N.C.	
3	1	230164	COMP. MODULE, OMC, 20/25/30 HP 2-STAGE, SIMPLEX LESS MOTOR	
4	1	232266	RELIEF VLV, 1/2" 175 PSIG/316 SCFM	
5	1	244287	MOTOR, 30HP, 1770RPM, ODP, 286T	
6	1	246029	SOLENOID VALVE, 1/4" 3-WAY	
7	4	248008	4"x4"x7/8" VIBRATION PAD	
8	1	A-12100-2	1/2" NPT STREET ELBOW	
9	5	A-12541-1	ENTRANCE ELBOW W/ GASKET, 1/2" NPT	
10	1	A-12616-1		
11	1	B-12103-9	1-1/2 to 1/2" NPT BUSHING	
12	1	B-12105-8	1-1/2" NPT CLOSE NIPPLE	
13	1	B-12108-8	1-1/2" Threaded Tee	



2-1/2" NPT AIR INLET CONNECTION. 2-OPTIONAL LOCATIONS



01	N/A	INITIAL RELEASE	06/22/20	F.L.
REV	CR. NO.	DESCRIPTION OF CHANGE	DATE	BY
<small>DO NOT SCALE DRAWINGS UNLESS OTHERWISE SPECIFIED. DIMENSIONS ARE IN INCHES AND TOLERANCES ARE:          .XX ± 0.1          .XXX ± 0.03          X.XXX ± 0.005          XXX ± 1"</small>				
DRAWN BY: F. LOPEZ		DATE: 06/22/20		
CHECKED BY:		DATE:		
APPROVED BY:		DATE:		<small>THIRD ANGLE PREDICTION</small> 
ITEM DESCRIPTION: RECIPROCATING AIR COMPRESSOR MODULE, 30HP HIGH PRESSURE 208-230/460V				
FILE NAME: 100-0266.SLDDRW	SCALE: 1:8	SHEET 1 OF 1		REV 01

100-0266