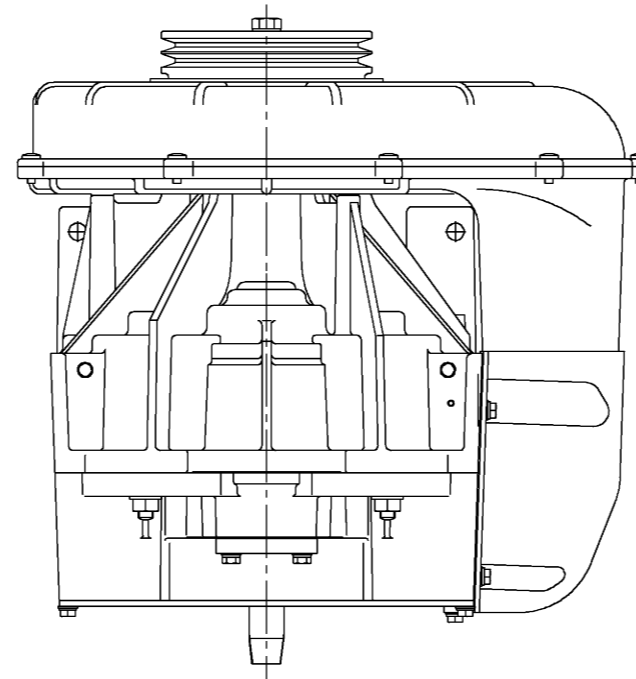
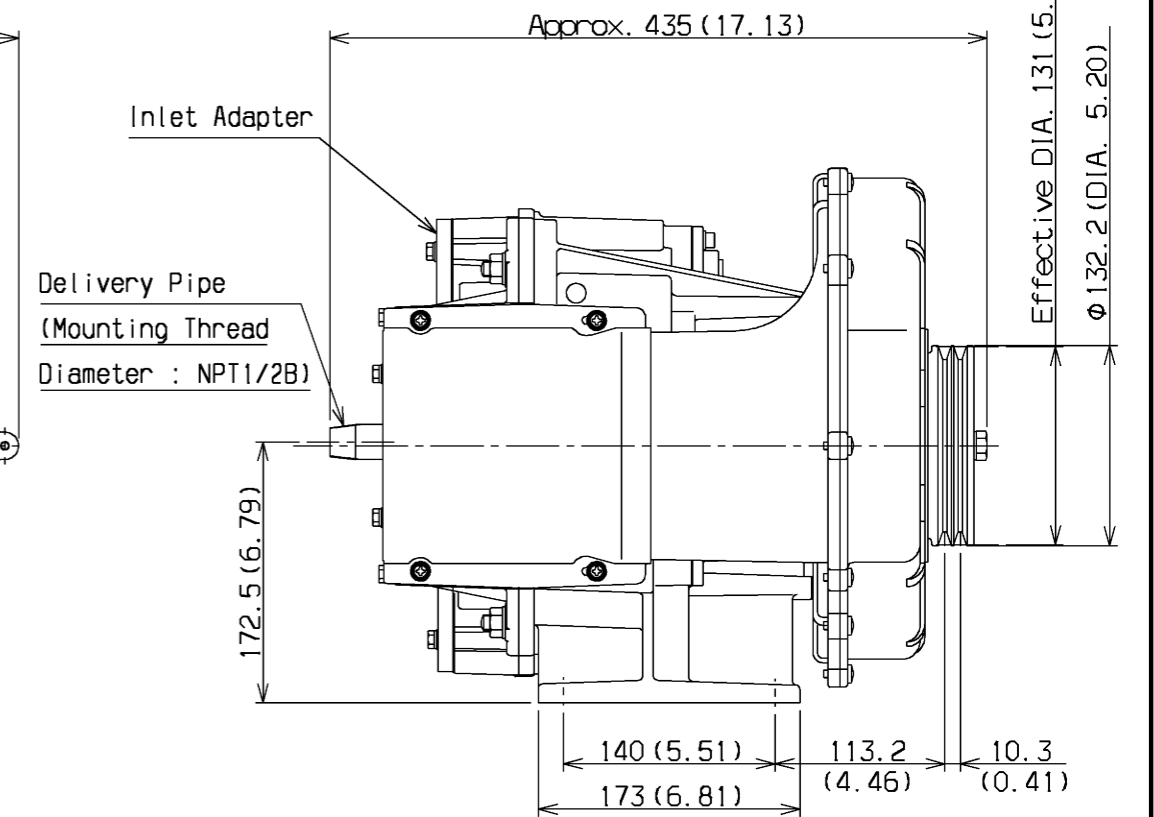
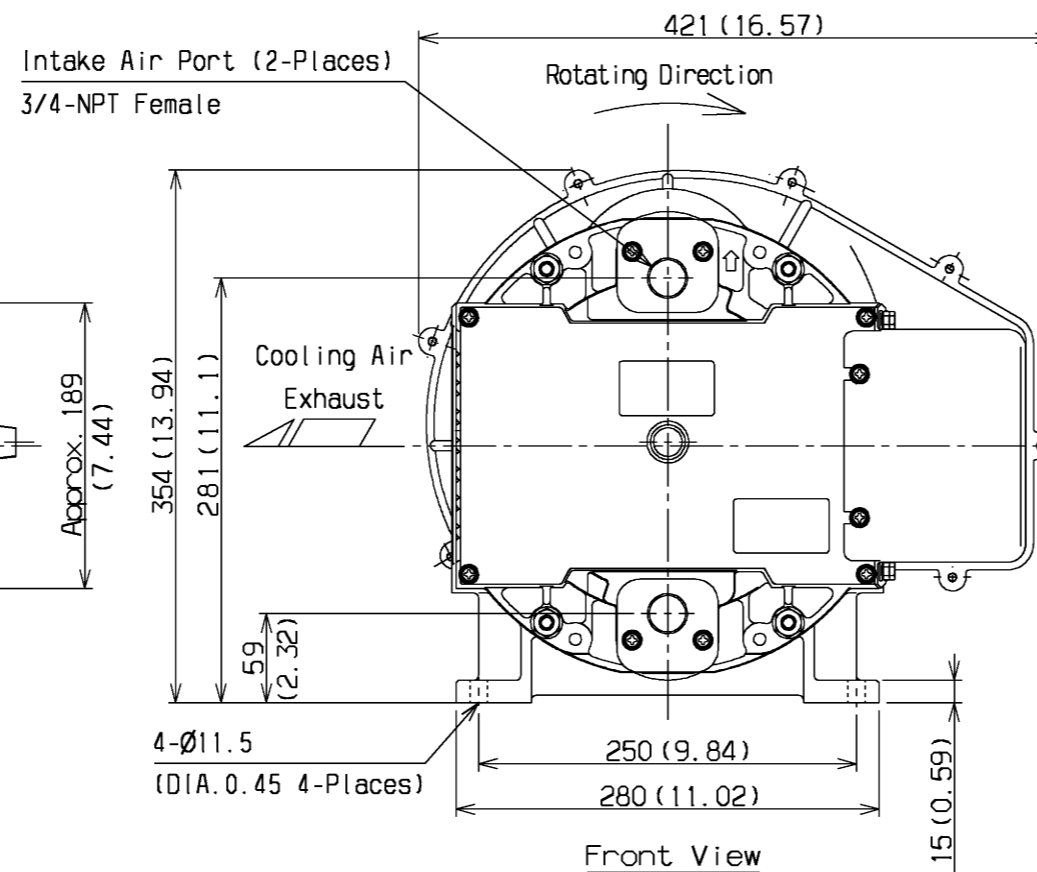
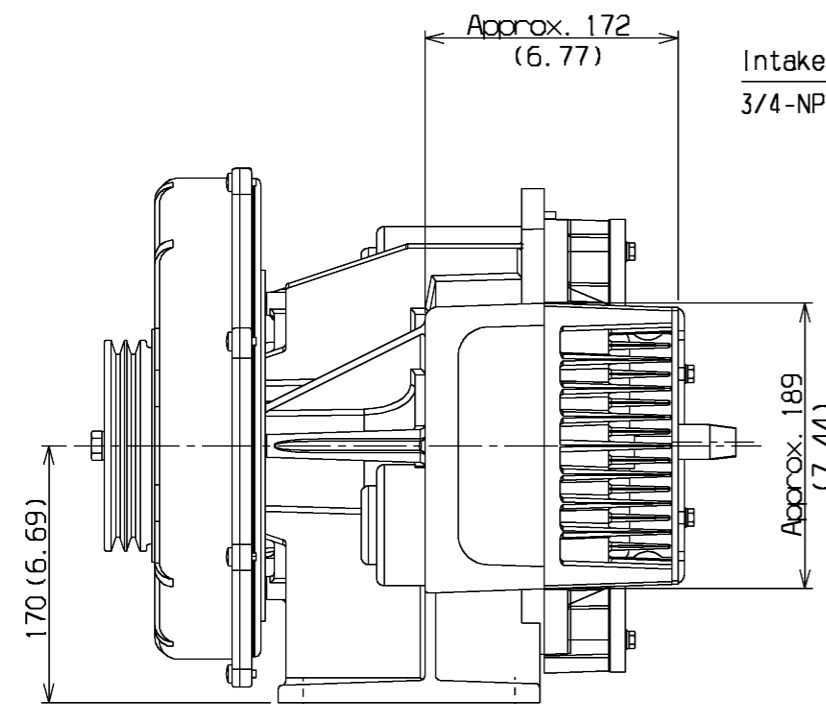


Rear View



Front View



[Dimension in mm. ( ) : inch]

Shaft Power	7.5 kW (10HP)		
Maximum Pressure	MPa(Psig)	0.8 (116)	1.0 (145)
Revolution	min <sup>-1</sup>	3,700	3,100
Free Air Delivery	m <sup>3</sup> /min(CFM)	0.85 (30)	0.68 (24)
Cooling Air Capacity	m <sup>3</sup> /min(CFM)	14.3 (504.9)	12.7 (448.4)
V-Belt	3VX x 2		
Weight	kg (Lb)	28 (62)	

NOTE) Free Air Delivery(FAD) indicates the flow rate converted in suction condition at maximum pressure.

10 HP Model				Part # 230221	
DRAWN	A.Kanaizumi	Feb-12-'16	SCALE 1:5	3K-10562-1	
CHECKED	M.Uriuda	Feb-12-'16			
APPROVED	T.Katsumoto	Feb-12-'16			