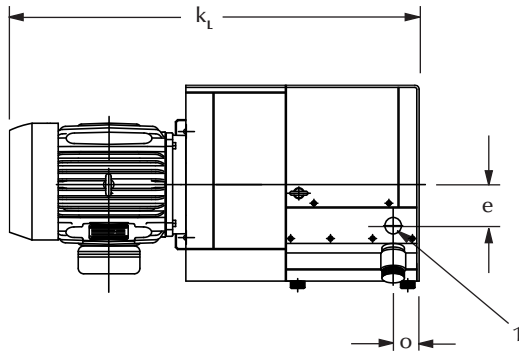
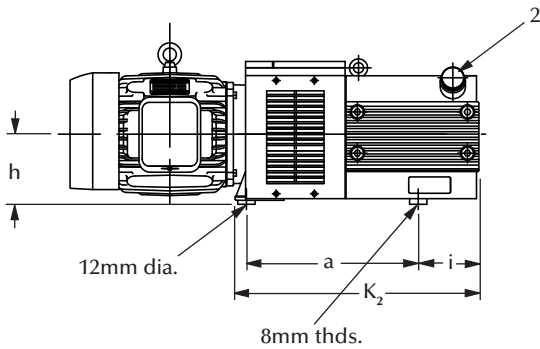


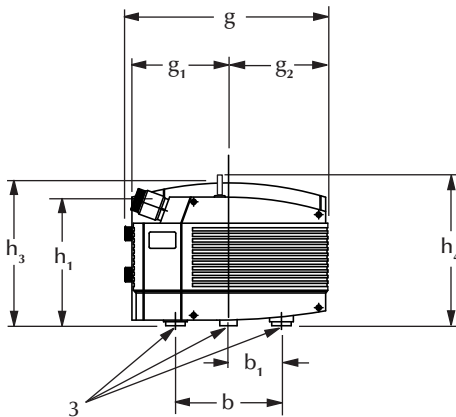
### TECHNICAL DATA



Top View



Side View



End View (Opposite Motor End)

All data based on 60 Hz operation

	D3	D5L	D5	D7
Flow (SCFM @ 0 in. Hg)	39	48	69	95
Horsepower	3	5	5	7½
Speed (RPM)	1740	1740	1740	1740
Max. Cont. Vacuum (in. HgV)	27	27	27	22
Weight (lbs.)—w/o motor	104	108	156	172
Weight (lbs.)—w/ motor*	151	178	230	320
Noise Level (Max. dBA)	73	75	77	79
Inlet size (BSP, inches)	1	1	1½	1½
<b>Dimensional Data</b>	(Inches)			
a	12.83	12.83	15.67	15.67
b	7.5	7.5	9.65	9.65
b <sub>1</sub>	3.75	3.75	4.82	4.82
e <sub>1</sub>	2.56	2.56	3.75	3.75
g	13.9	13.9	18.5	18.5
g <sub>1</sub>	7.68	7.68	8.78	8.78
g <sub>2</sub>	5.55	5.55	9.06	9.06
h	6.38	6.38	6.38	6.38
h <sub>1</sub>	11.38	11.38	11.7	11.7
h <sub>3</sub>	12.28	12.28	13.0	13.0
h <sub>4</sub>	12.9	12.9	13.25	13.25
i	3.78	3.78	5.5	5.5
k <sub>2</sub>	17.64	17.64	22.17	22.17
k <sub>L</sub>	29.4	29.4	33.5	36.8
o	1.81	1.81	2.36	2.36

\* Overall specifications for single phase units may vary. Contact factory for information. Manufacturer reserves right to alter data without notice.

- 1 - Inlet Port
- 2 - Vibration Isolator
- 3 - Vacuum Regulating Valve
- 4 - Exhaust Air Silencer