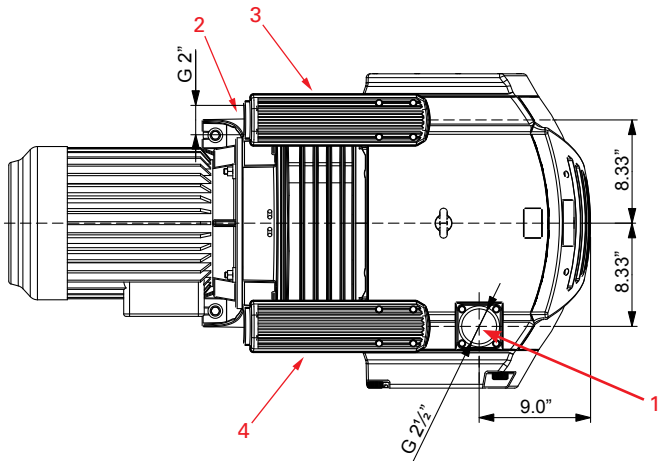
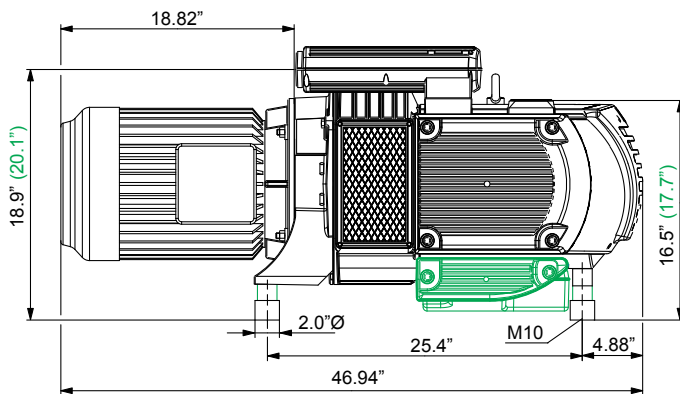


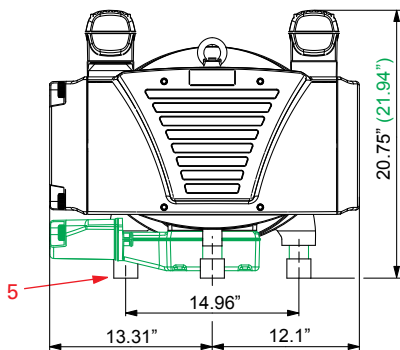
## TECHNICAL DATA



Top View



Side View



End View (Opposite Motor End)

All data based on 60 Hz operation

	D7H	D10	
Flow (SCFM @ 0 in. Hg)	129	169	
Power (kW/HP)	4.8/6.4	6.4/8.5	
Speed (RPM)	850	1175	
Max. Cont. Vacuum (in. HgV)	24	24	
Weight (lbs.)—w/ motor*	546	550	
Noise Level (Max. dBA)	78	79	
Inlet size (BSP, inches):	G-2½"	G-2½"	
with NPT adapter:	2"	2"	

\* Overall specifications for units may vary due to motor provider. Contact factory for information. Manufacturer reserves right to alter data without notice.

- 1 - Inlet Port
- 2 - Discharge Port
- 3 - Discharge Silencer
- 4 - Vacuum Relief Valve / Silencer
- 5 - Vibration Isolators

Black dimensions pertain to all models