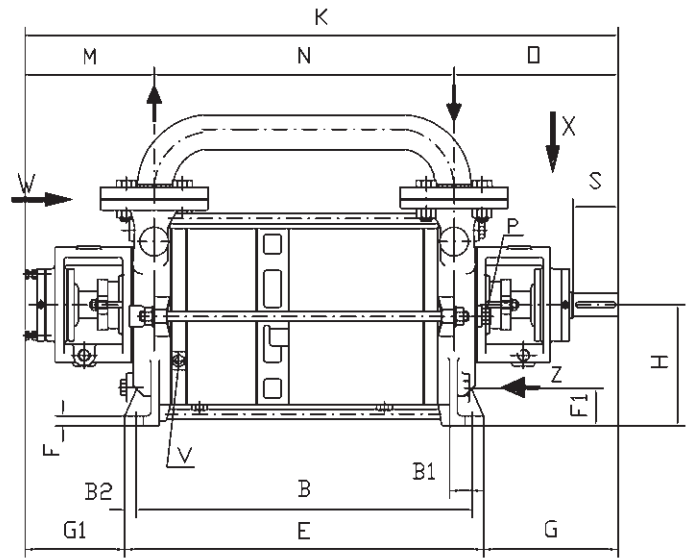
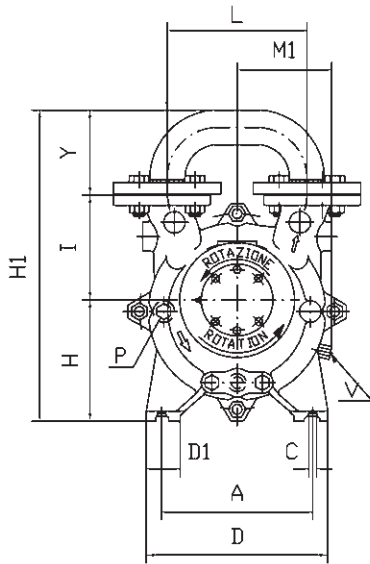
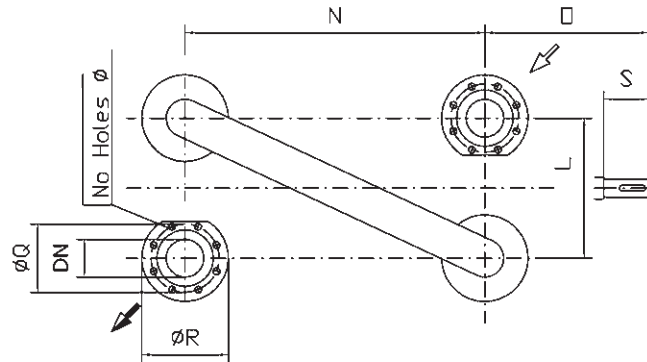


Liquid Ring Vacuum Pump 260A - 275A Dimensions*



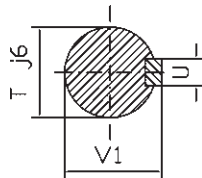
*All dimensions in mm



FLANGE UNI PN 10					
MODEL	DN	Q	R	Holes	
				N°	Ø
260/275	100 4"	180	229	8	18

CONNECTIONS		
MODEL	Z	P
260/275	1 1/2" GAS F/NPT M	3/8" GAS F

SHAFT END				
MODEL	T	S	U	V1
260/275	60	120	18	64



Z	SERVICE LIQUID INLET
P	OVERFLOW VALVE CONNECTION

MODEL	A	B	B1	B2	C	D	D1	E	F	F1	G	G1	H	H1	U	K	L	M	M1	N	O	Y	WEIGHT (lbs)
260	400	789	90	30	20	480	90	849	27	100	356	264	320	820	275	1469	370	342	250	693	434	225	1345
275		889						949								1569				793			

