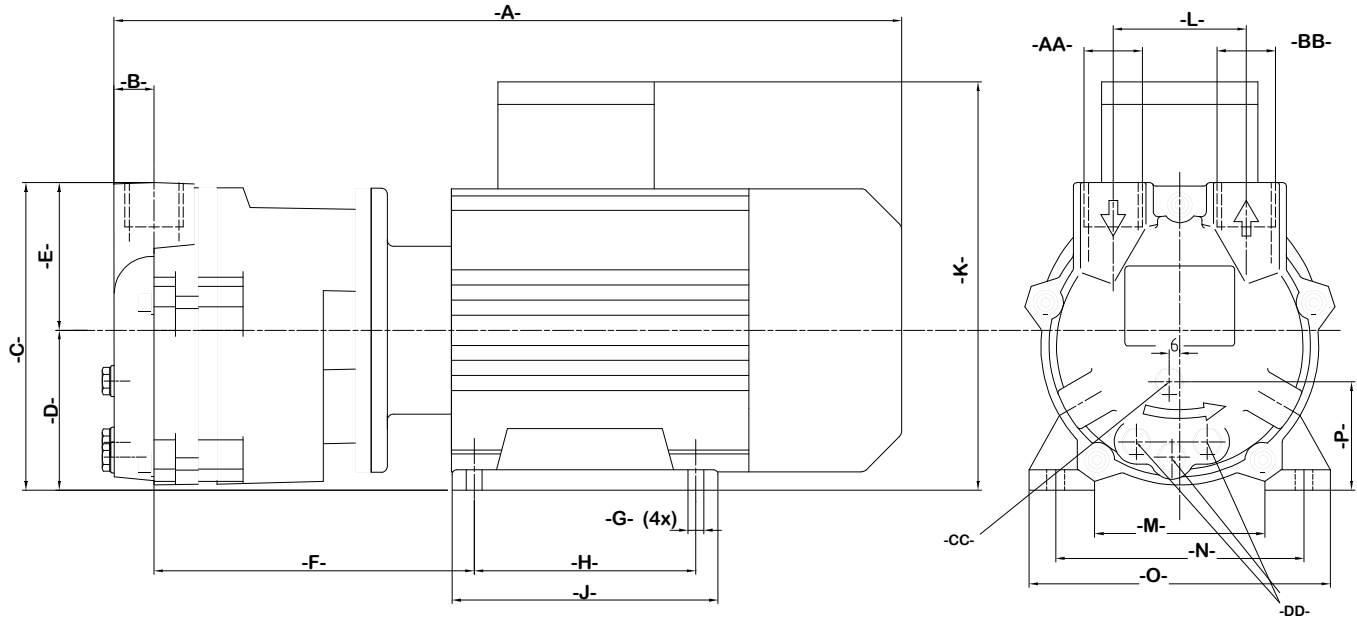


Liquid Ring Vacuum Pump SM30 Dimensions



Model #	HP	HZ	RPM	A	B	C	D	E	F	G	H
SM30A	3	60	3500	17.48	0.90	6.81	3.54	3.26	7.12	0.35	4.92

Model #	J	K	L	M	N	O	P
SM30A	5.90	9.05	2.95	3.77	5.51	6.69	2.40

AA	1" NPT Inlet
BB	1" NPT Discharge
CC	3/8" NPT Service Liquid Connection
DD	1/4" NPT Draining Pump

