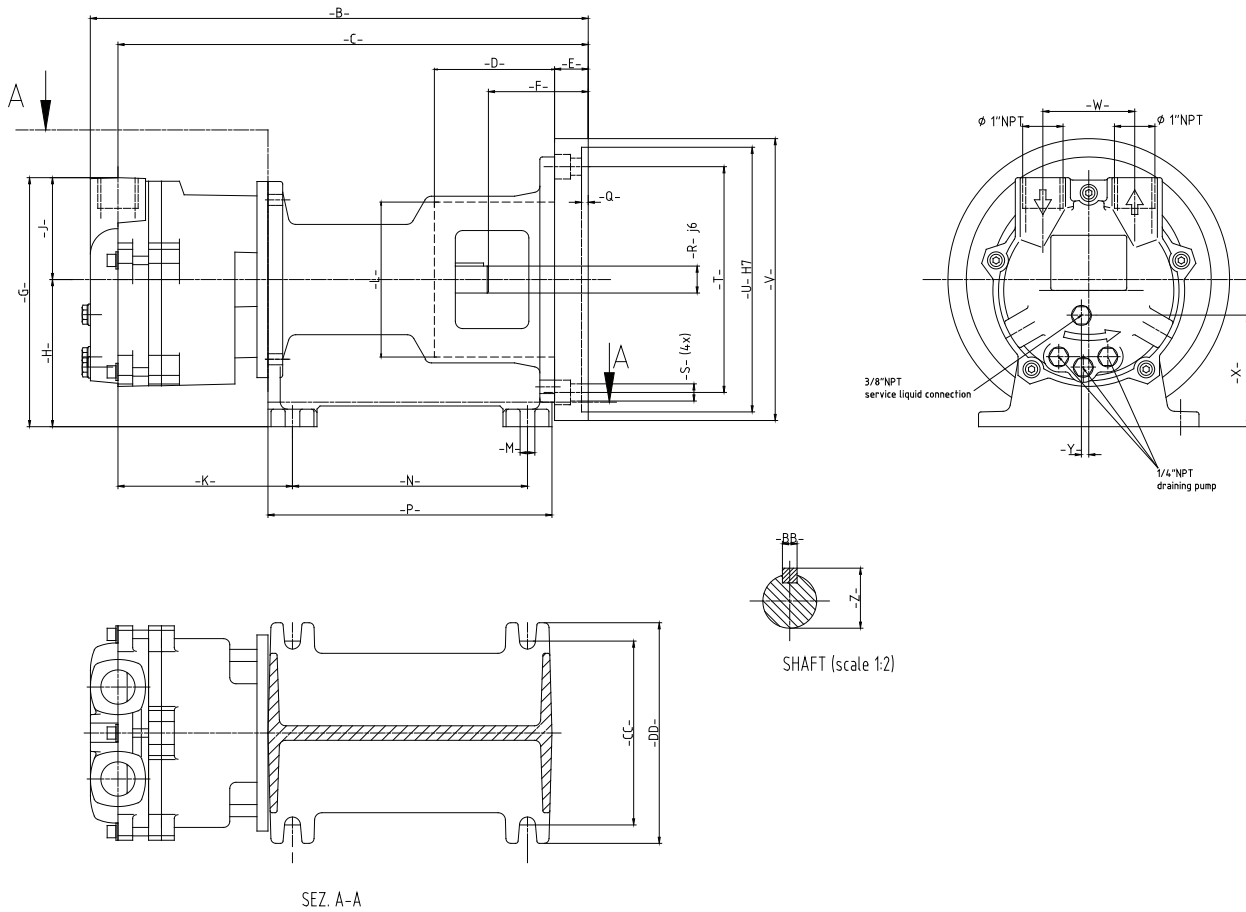


Liquid Ring Vacuum Pump SL30 Dimensions



	B	C	D	E	F	G	H	J	K	L	M	N	P	Q	R
SL30	16.02	15.11	4.05	1.08	3.20	7.99	4.72	3.267	6.06	4.88	0.55	6.69	8.97	0.21	0.86
	S	T	U	V	W	X	Y	Z	BB	CC	SS	WEIGHT	HP	RPM	
SL30	0.55	7.25	8.50	9.05	2.95	3.58	0.23	0.96	0.23	5.51	7.08	62 lb	3	3500	

