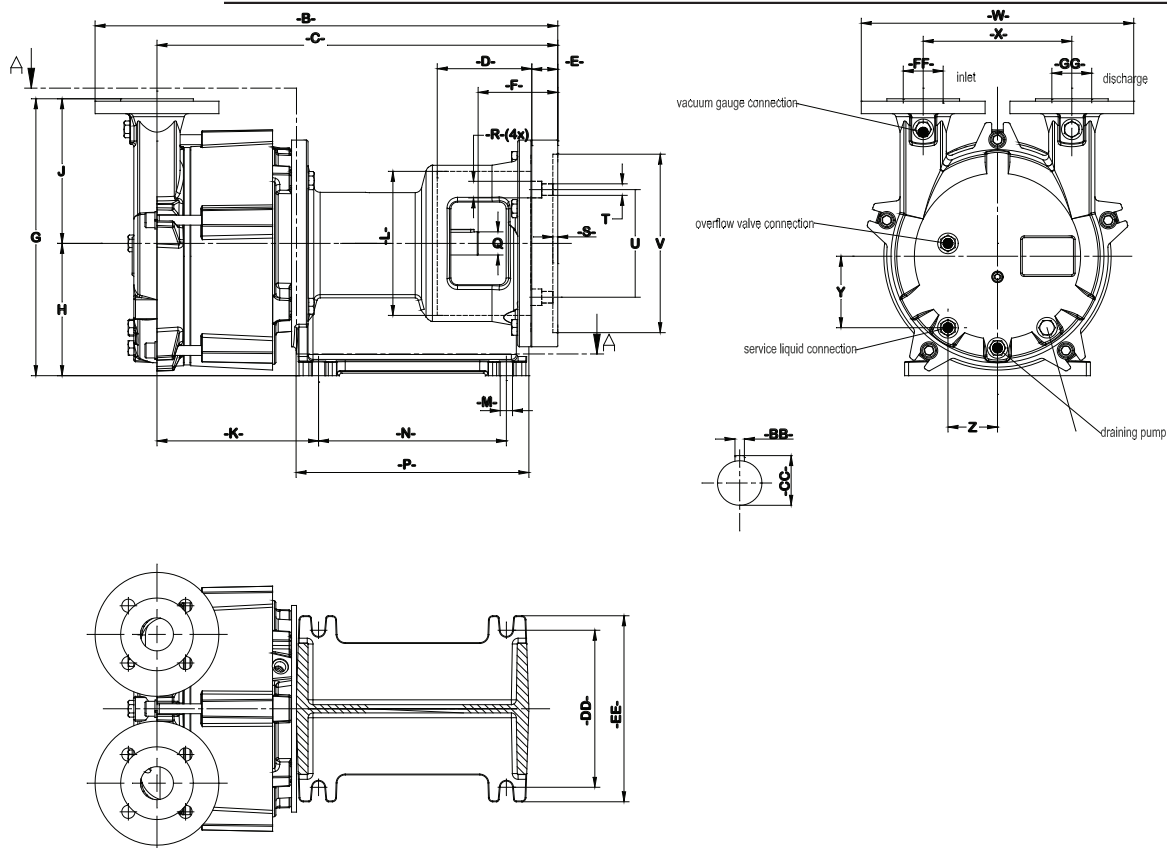


Liquid Ring Vacuum Pump SL40-SL200 Dimensions



Model #	B	C	D	E	F	G	H	J	K	L	M	N	P	Q
SL40A	20.72	17.70	5.11	1.04	3.56	13.18	6.29	6.88	6.88	6.81	0.55	8.26	11.02	1.10
SL55A	21.47	18.52	5.11	1.04	3.56	13.18	6.29	6.88	7.63	6.81	0.55	8.26	11.02	1.10
SL75A	21.83	18.87	5.11	1.04	3.56	13.18	6.29	6.88	7.99	6.81	0.55	8.26	11.02	1.10
SL100A	27.57	23.93	6.88	0.86	4.21	16.14	7.67	8.46	8.89	8.77	0.70	12.40	15.55	1.49
SL150A	28.83	25.19	6.88	0.86	4.21	16.14	7.67	8.46	10.15	8.77	0.70	12.40	15.55	1.49
SL200A	30.61	26.96	6.88	0.86	4.21	16.14	7.67	8.46	11.92	877.00	0.70	12.40	15.55	1.49

Model #	R	S	T	U	V	W	X	Y	Z	BB	CC	DD	EE
SL40A	0.78	0.23	0.55	7.25	8.50	12.99	7.08	3.40	2.36	0.35	1.22	8.26	9.84
SL55A	0.78	0.23	0.55	7.25	8.50	12.99	7.08	3.40	2.36	0.35	1.22	8.26	9.84
SL75A	0.78	0.23	0.55	7.25	8.50	12.99	7.08	3.40	2.36	0.35	1.22	8.26	9.84
SL100A	0.78	0.23	0.55	7.25	8.50	15.15	7.87	4.40	2.99	0.47	1.61	9.84	11.81
SL150A	0.78	0.23	0.55	7.25	8.50	15.15	7.87	4.40	2.99	0.47	1.61	9.84	11.81
SL200A	0.78	0.23	0.55	7.25	8.50	15.15	7.87	4.40	2.99	0.47	1.61	9.84	11.81

Model #	Inlet FF	Discharge GG	Vacuum Gauge Connection	Overflow Valve Connection	Service Liquid Connection	Pump Drain	HP	RPM	Weight
SL40A	1-1/2"	1-1/2"	3/8" NPT	3/8" NPT	3/8" NPT	3/8" NPT	5	1750	177
SL55A	1-1/2"	1-1/2"	3/8" NPT	3/8" NPT	3/8" NPT	3/8" NPT	5.5	1750	181
SL75A	1-1/2"	1-1/2"	3/8" NPT	3/8" NPT	3/8" NPT	3/8" NPT	7.5	1750	183
SL100A	2-1/2"	2-1/2"	3/8" NPT	1/2" NPT	1/2" NPT	3/8" NPT	10	1750	263
SL150A	2-1/2"	2-1/2"	3/8" NPT	1/2" NPT	1/2" NPT	3/8" NPT	15	1750	283
SL200A	2-1/2"	2-1/2"	3/8" NPT	1/2" NPT	1/2" NPT	3/8" NPT	20	1750	298

