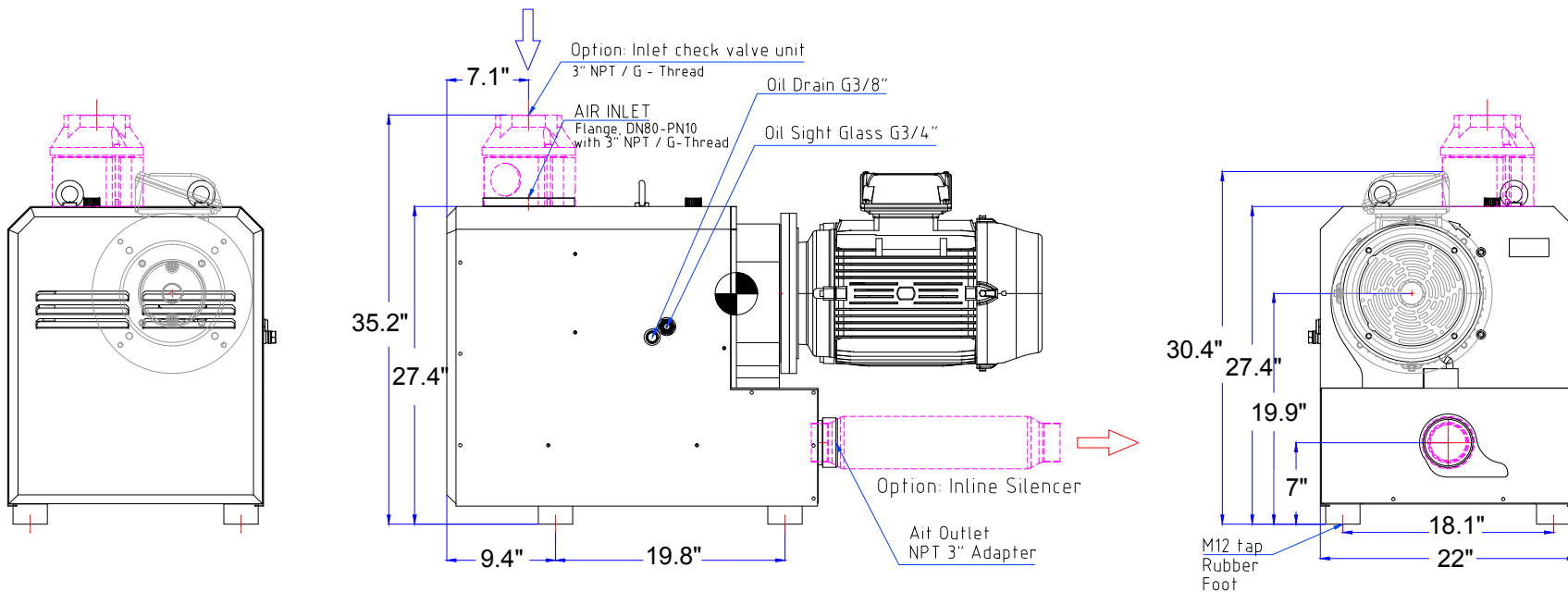
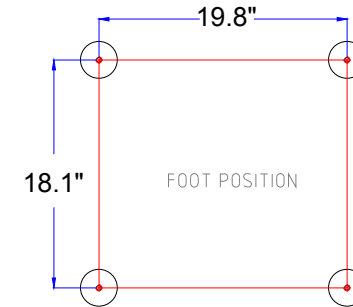
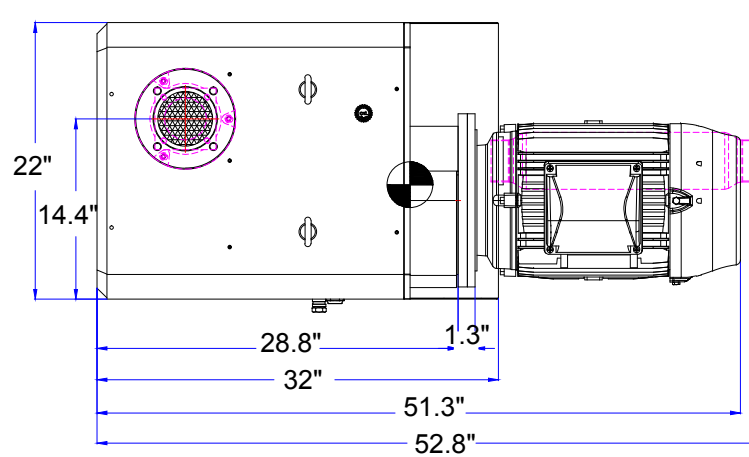


APP. BY	DATE 2016. 04. 29	SCALE 1;1	<b>C15B Claw Vacuum Pump with 15 HP 254TC Motor</b>
CHK. BY	<b>C15B Claw with Motor: Part #264334</b> <b>C15B Claw Vacuum w/o Motor: Part #264334-LM</b>	<b>15 HP 3500 RPM motor: Part #244268</b>	
DWN. BY <i>K.H. Kwock</i>			
NO REVISIONS	SIGNATURE	TRC. BY	DWG. NO 13-515.1.254-00



△			APP. BY	DATE 2016. 04. 29	SCALE 1;1	<b>C15B Claw Vacuum Pump with 20 HP 256TC Motor</b> DWG. NO 13-515.1.256-00
△			CHK. BY	Claw Pump with Motor: Part # 264334 Claw Pump without Motor: Part # 264334-LM 20 HP 3500 RPM Motor: Part # 244292		
△			DWN. BY <i>K.H. Kwock</i>			
NO	REVISIONS	SIGNATURE	TRC. BY			