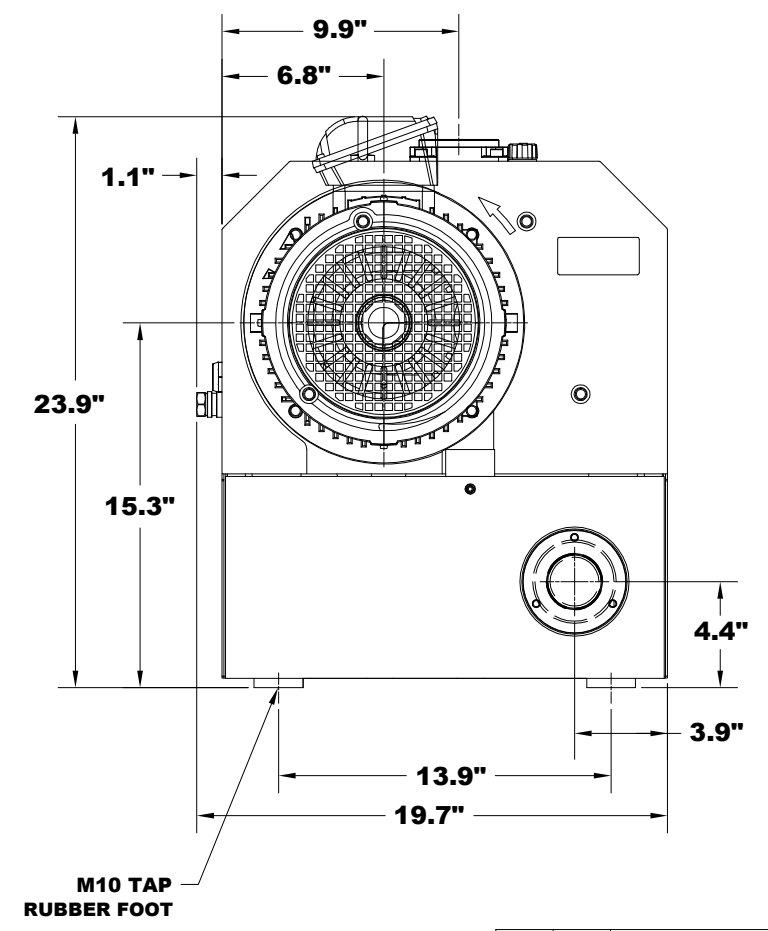
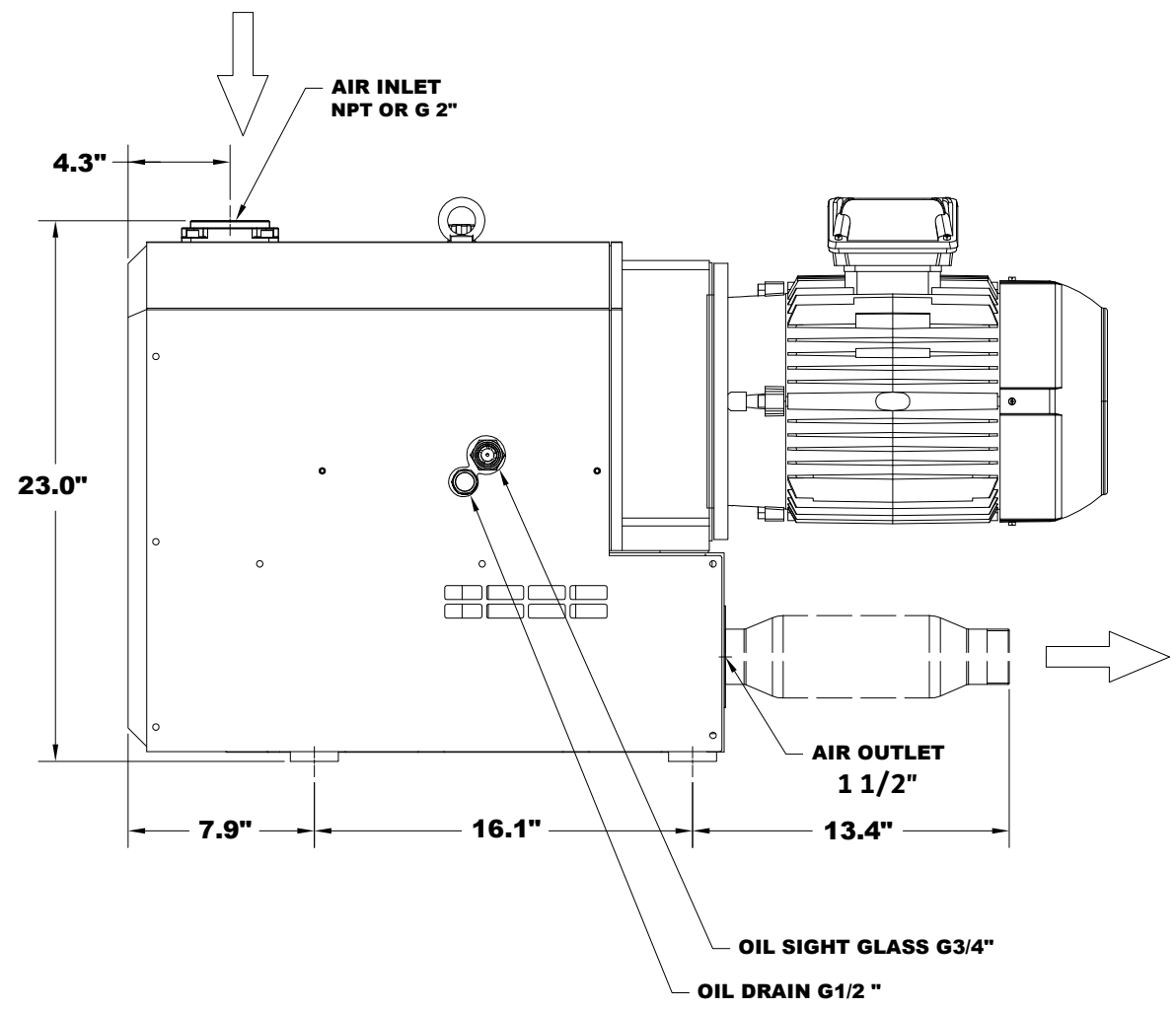
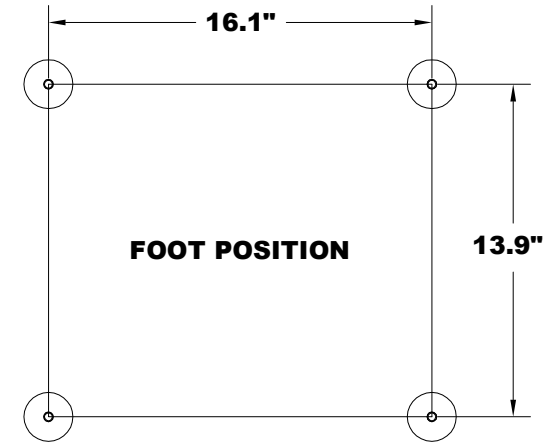
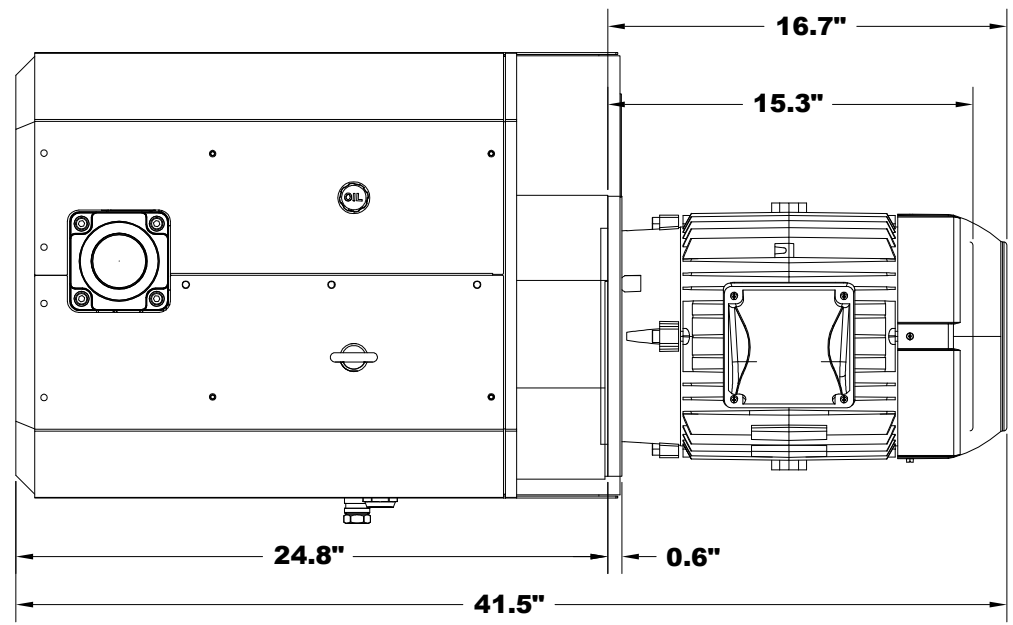
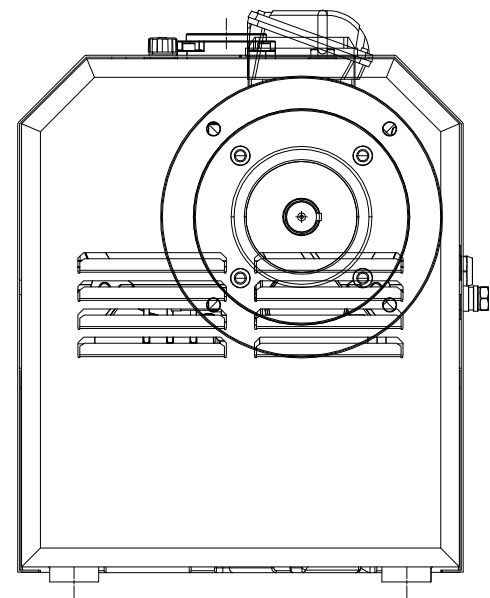



8 7 6 5 4 3 2 1



C10C CLAW WITH MOTOR:	PART # 264366
C10C CLAW WITHOUT MOTOR:	PART # 264366-LM
10HP 3515 RPM MOTOR:	PART # 244267

1	10429	ORIGINAL RELEASE	10/28/2021	NHR
REV	ECD NO.	DESCRIPTION OF CHANGE	DATE	BY
<small>DO NOT SCALE DRAWING UNLESS OTHERWISE SPECIFIED DIMENSIONS ARE IN INCHES AND TOLERANCES ARE: XX ± 0.1 XXX ± 0.01 XXXX ± 0.005 LXX ± 1</small>		<small>DRAWN BY</small> NHR <small>CHECKED BY</small> <small>APPROVED BY</small>	<small>DATE</small> 10/28/2021	 <small>always there for life</small>
<small>THIRD ANGLE PROJECTION</small>		<small>COPYRIGHT & COPYRIGHTED BY OHIO MEDICAL LLC</small>		
<small>MODEL</small> N/A		<small>ITEM DESCRIPTION</small> VACUUM PUMP, CLAW (C10C) WITH 10HP 215TC NEMA MOTOR		
<small>FINISH</small> N/A		<small>DWG NO.</small> D	<small>DRAWING NUMBER</small> 264366	<small>REV</small> 1
<small>FILE NAME</small> 264366.DWG		<small>SCALE: 1:4</small>		<small>SHEET 1 OF 1</small>
<small>CONFIDENTIAL: THIS DRAWING AND THE DESIGN REPRESENTED THEREIN ARE THE PROPERTY OF OHIO MEDICAL LLC AND HAS BEEN ISSUED WITH THE UNDERSTANDING THAT NEITHER DRAWING NOR THE INFORMATION THEREIN IS TO BE USED OR REPRODUCED, EITHER IN WHOLE OR PART, EXCEPT AS SPECIFICALLY AUTHORIZED BY OHIO MEDICAL LLC AND SHALL BE RETURNED UPON REQUEST.</small>				