

# AS1000-T2-H120-DD Scroll Air System

System is NFPA compliant and has modular construction and interconnecting piping.

## PUMP MODULE

The belt driven oil-less scroll compressors deliver pressures up to 115 psi. Each scroll module includes the compressor; motor; drive belts with belt guard; inlet filter; isolation valve; aftercooler; temperature switch and relief valve.

## AIR TREATMENT MODULE

The system's air treatment module features dual desiccant dryers configured for energy savings. They purge only when needed per the dew point setting. The dew point transducer and CO transducer are integrated with the electrical panel. The module also contains prefilters, after filters, and activated carbon filters. Final line pressure regulators with gauges and relief valves are also part of the air treatment module.

## AIR RECEIVER

The receiver is constructed to ASME standards and is galvanized for corrosion resistance. A source isolation valve and 3 valve bypasses are provided with the receiver module. A pressure gauge and relief valve are included, along with a sight window and electric auto drain. Mounting pads and flexible connectors are provided.

## CONTROL PANEL

The UL listed electrical control panel features a high-definition color touch screen that can be set up externally without the use of toggle switches. The panel displays multiple conditions, including compressor running status, elapsed hours, pressure level, and audio/visual alarms.

Standard features include lag alarm, automatic compressor alternation, adjustable minimum run timer, adjustable pressure settings, adjustable screen brightness, alarm history registry, and data logging. The panel has standard dry contacts and Modbus interface with building management systems. Ethernet and BACnet are available as options. The panel's maintenance menu includes service items and maintenance warnings, and it is programmed for both English and Spanish languages.

<b>Configuration</b>	Duplex Tank Mount
<b>System Capacity*</b>	34.3 SCFM @ 50 psi 60 Hz. 28.6 SCFM @ 50 psi 50 Hz.
<b>Horsepower (Each Pump)</b>	10 HP
<b>Horsepower (Total System)</b>	20 HP
<b>Available Voltage</b>	208/230/460V 3 PH 60 Hz. 380V 3 PH 50 Hz. Contact Factory for other voltages
<b>Full Load Amps 3 PH</b>	208 Volts: 65.8 230 Volts: 59.8 380 Volts: 35.2 460 Volts: 30
<b>Tank Size</b>	120 gallon horizontal
<b>Key Options</b>	Bacterial filters for dryer/filter skid Can be configured for lab use without lag alarm Expandable for additional compressors

*Click here for compressor specifications and industry-leading parts support.*



\*System capacity is stated with one pump in reserve per NFPA. Capacity based on operation at sea level. For higher altitude, contact factory for adjusted capacity.

SYSTEM MODEL NO.	PART NO.	HP EACH	SCHEMATIC @ 50 PSIG EACH	SCHEMATIC @ 100 PSIG EACH	DESIGN CAPACITY @ 50PSIG EACH	RELEVER SIZE (GALLONS)	PUMP DISCHARGE NPT	ESTIMATED SYSTEM WEIGHT (LB)
AS1000-T2-DD	AS1000-440-T2-H120-DD	10	34.3	33.8	34.3	120	3/4"	1300

SPACE ALLOWANCE FOR MAINTENANCE = 3 FT ON ALL SIDES. MORE SPACE IS REQUIRED FOR THE OPENING OF LARGER PANEL DOORS.

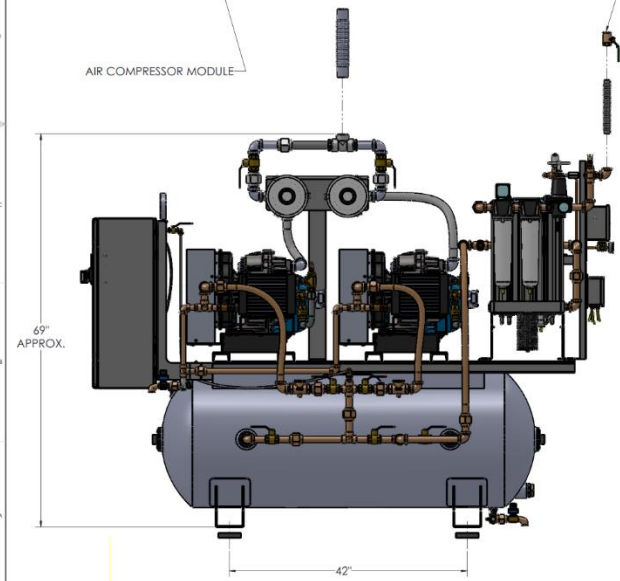
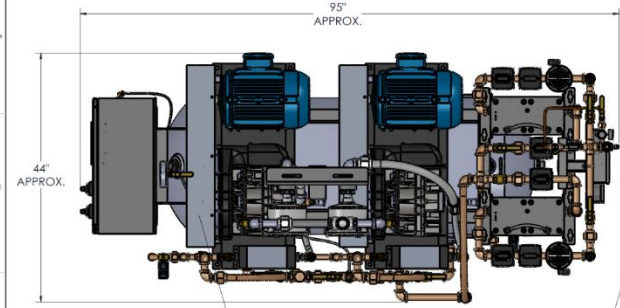
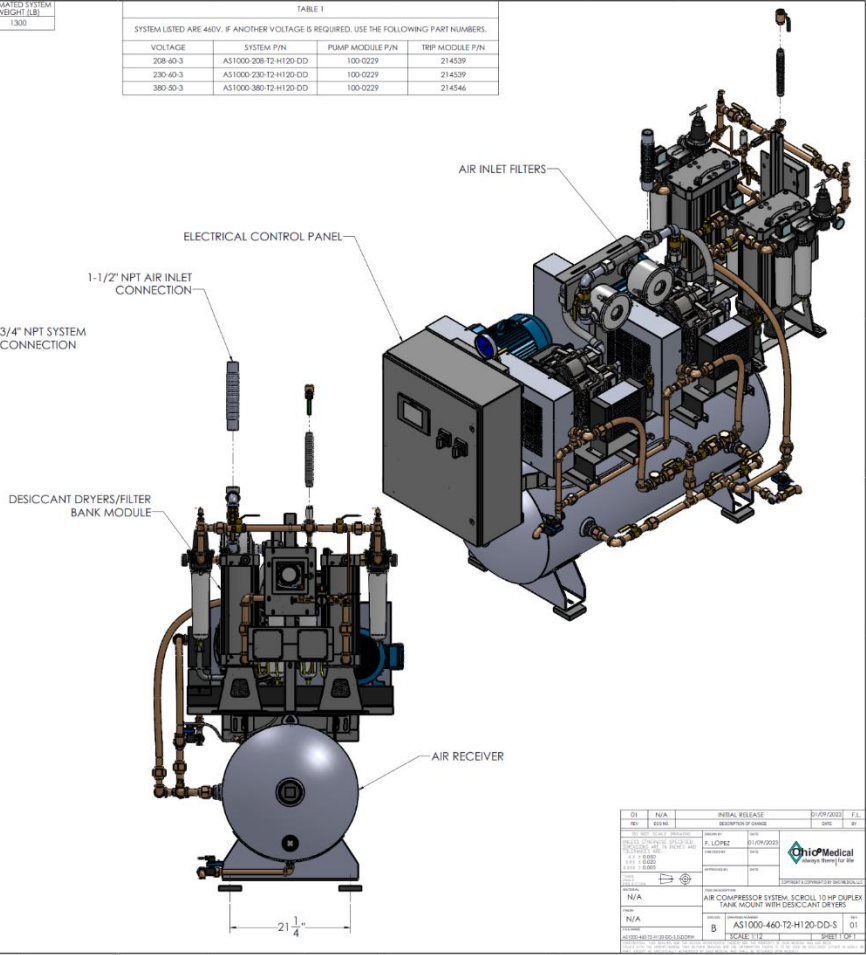


TABLE 1  
SYSTEM LISTED ARE 480V. IF ANOTHER VOLTAGE IS REQUIRED, USE THE FOLLOWING PART NUMBERS.

VOLTAGE	SYSTEM P/N	PUMP MODULE P/N	TRIP MODULE P/N
208-60-3	AS1000-208-T2-H120-DD	100-0229	214539
230-60-3	AS1000-230-T2-H120-DD	100-0229	214539
380-50-3	AS1000-380-T2-H120-DD	100-0229	214546



01	N/A	INITIAL RELEASE	REWORKED	F.I.
02	001/01	REWORKED BY OTHER	DATE	BY
03	001/01	REWORKED BY OTHER	DATE	BY
04	001/01	REWORKED BY OTHER	DATE	BY
05	001/01	REWORKED BY OTHER	DATE	BY
06	001/01	REWORKED BY OTHER	DATE	BY
07	001/01	REWORKED BY OTHER	DATE	BY
08	001/01	REWORKED BY OTHER	DATE	BY
09	001/01	REWORKED BY OTHER	DATE	BY
10	001/01	REWORKED BY OTHER	DATE	BY
11	001/01	REWORKED BY OTHER	DATE	BY
12	001/01	REWORKED BY OTHER	DATE	BY
13	001/01	REWORKED BY OTHER	DATE	BY
14	001/01	REWORKED BY OTHER	DATE	BY
15	001/01	REWORKED BY OTHER	DATE	BY
16	001/01	REWORKED BY OTHER	DATE	BY
17	001/01	REWORKED BY OTHER	DATE	BY
18	001/01	REWORKED BY OTHER	DATE	BY
19	001/01	REWORKED BY OTHER	DATE	BY
20	001/01	REWORKED BY OTHER	DATE	BY
21	001/01	REWORKED BY OTHER	DATE	BY
22	001/01	REWORKED BY OTHER	DATE	BY
23	001/01	REWORKED BY OTHER	DATE	BY
24	001/01	REWORKED BY OTHER	DATE	BY
25	001/01	REWORKED BY OTHER	DATE	BY
26	001/01	REWORKED BY OTHER	DATE	BY
27	001/01	REWORKED BY OTHER	DATE	BY
28	001/01	REWORKED BY OTHER	DATE	BY
29	001/01	REWORKED BY OTHER	DATE	BY
30	001/01	REWORKED BY OTHER	DATE	BY
31	001/01	REWORKED BY OTHER	DATE	BY
32	001/01	REWORKED BY OTHER	DATE	BY
33	001/01	REWORKED BY OTHER	DATE	BY
34	001/01	REWORKED BY OTHER	DATE	BY
35	001/01	REWORKED BY OTHER	DATE	BY
36	001/01	REWORKED BY OTHER	DATE	BY
37	001/01	REWORKED BY OTHER	DATE	BY
38	001/01	REWORKED BY OTHER	DATE	BY
39	001/01	REWORKED BY OTHER	DATE	BY
40	001/01	REWORKED BY OTHER	DATE	BY
41	001/01	REWORKED BY OTHER	DATE	BY
42	001/01	REWORKED BY OTHER	DATE	BY
43	001/01	REWORKED BY OTHER	DATE	BY
44	001/01	REWORKED BY OTHER	DATE	BY
45	001/01	REWORKED BY OTHER	DATE	BY
46	001/01	REWORKED BY OTHER	DATE	BY
47	001/01	REWORKED BY OTHER	DATE	BY
48	001/01	REWORKED BY OTHER	DATE	BY
49	001/01	REWORKED BY OTHER	DATE	BY
50	001/01	REWORKED BY OTHER	DATE	BY
51	001/01	REWORKED BY OTHER	DATE	BY
52	001/01	REWORKED BY OTHER	DATE	BY
53	001/01	REWORKED BY OTHER	DATE	BY
54	001/01	REWORKED BY OTHER	DATE	BY
55	001/01	REWORKED BY OTHER	DATE	BY
56	001/01	REWORKED BY OTHER	DATE	BY
57	001/01	REWORKED BY OTHER	DATE	BY
58	001/01	REWORKED BY OTHER	DATE	BY
59	001/01	REWORKED BY OTHER	DATE	BY
60	001/01	REWORKED BY OTHER	DATE	BY
61	001/01	REWORKED BY OTHER	DATE	BY
62	001/01	REWORKED BY OTHER	DATE	BY
63	001/01	REWORKED BY OTHER	DATE	BY
64	001/01	REWORKED BY OTHER	DATE	BY
65	001/01	REWORKED BY OTHER	DATE	BY
66	001/01	REWORKED BY OTHER	DATE	BY
67	001/01	REWORKED BY OTHER	DATE	BY
68	001/01	REWORKED BY OTHER	DATE	BY
69	001/01	REWORKED BY OTHER	DATE	BY
70	001/01	REWORKED BY OTHER	DATE	BY
71	001/01	REWORKED BY OTHER	DATE	BY
72	001/01	REWORKED BY OTHER	DATE	BY
73	001/01	REWORKED BY OTHER	DATE	BY
74	001/01	REWORKED BY OTHER	DATE	BY
75	001/01	REWORKED BY OTHER	DATE	BY
76	001/01	REWORKED BY OTHER	DATE	BY
77	001/01	REWORKED BY OTHER	DATE	BY
78	001/01	REWORKED BY OTHER	DATE	BY
79	001/01	REWORKED BY OTHER	DATE	BY
80	001/01	REWORKED BY OTHER	DATE	BY
81	001/01	REWORKED BY OTHER	DATE	BY
82	001/01	REWORKED BY OTHER	DATE	BY
83	001/01	REWORKED BY OTHER	DATE	BY
84	001/01	REWORKED BY OTHER	DATE	BY
85	001/01	REWORKED BY OTHER	DATE	BY
86	001/01	REWORKED BY OTHER	DATE	BY
87	001/01	REWORKED BY OTHER	DATE	BY
88	001/01	REWORKED BY OTHER	DATE	BY
89	001/01	REWORKED BY OTHER	DATE	BY
90	001/01	REWORKED BY OTHER	DATE	BY
91	001/01	REWORKED BY OTHER	DATE	BY
92	001/01	REWORKED BY OTHER	DATE	BY
93	001/01	REWORKED BY OTHER	DATE	BY
94	001/01	REWORKED BY OTHER	DATE	BY
95	001/01	REWORKED BY OTHER	DATE	BY
96	001/01	REWORKED BY OTHER	DATE	BY
97	001/01	REWORKED BY OTHER	DATE	BY
98	001/01	REWORKED BY OTHER	DATE	BY
99	001/01	REWORKED BY OTHER	DATE	BY
100	001/01	REWORKED BY OTHER	DATE	BY