

# AS750H-T1-H80-DD-LAB Scroll Air System

System has modular construction and interconnecting piping.

## PUMP MODULE

The belt driven oil-less scroll compressor delivers pressures up to 145 psi (10 bar). Each scroll module includes the compressor; motor; drive belts with belt guard; inlet filter; isolation valve; aftercooler; temperature switch and relief valve.

## AIR TREATMENT MODULE

The system's air treatment module features a desiccant dryer configured for energy savings; it purges only when the system is in operation. The module also contains a prefilter and after filter. Final line pressure regulator with gauge and relief valve are also part of the air treatment module.

## AIR RECEIVER

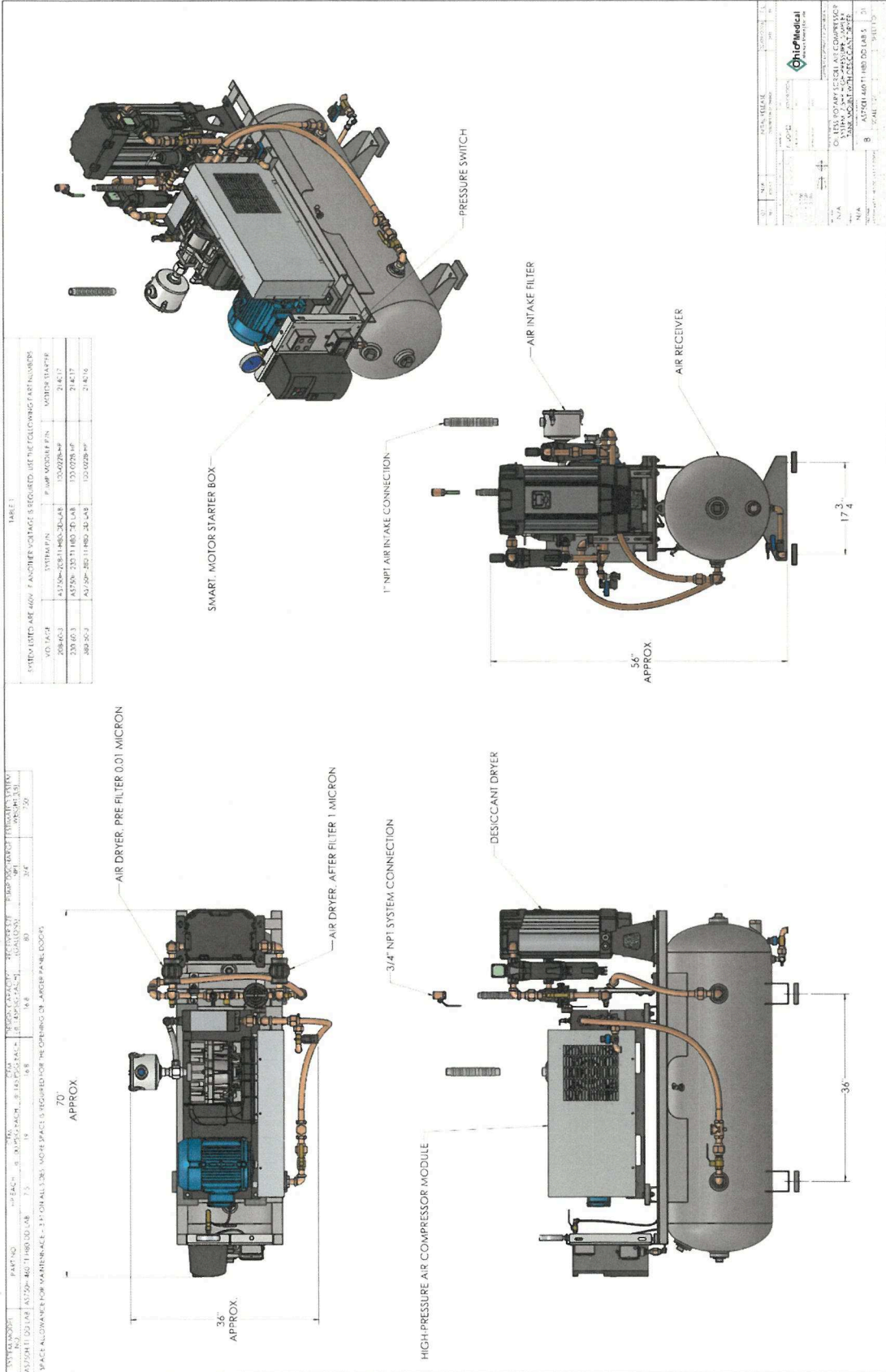
The receiver is constructed to ASME standards and is epoxy coated for corrosion resistance. A source isolation valve is provided with the receiver module. A pressure gauge and relief valve are included, along with a sight window and electric auto drain. Mounting pads and flexible connectors are provided.

## CONTROL PANEL

The UL listed electrical control panel interacts with a pressure switch to activate the compressor per system demand. The panel includes a Hand-Off-Remote switch, a run indicator light, and an hour meter.

<b>Configuration</b>	Simplex Tank Mount
<b>System Capacity</b>	16.8 SCFM @ 145 PSI 60 Hz. 16.9 SCFM @ 145 PSI 50 Hz
<b>Horsepower (Each Pump)</b>	7.5 HP
<b>Horsepower (Total System)</b>	7.5 HP
<b>Available Voltage</b>	208/230/460V 3 PH 60 Hz. 380V 3 PH 50 Hz. Contact Factory for other voltages
<b>Full Load Amps 3 ph.</b>	208 Volts: 26.3 230 Volts: 23.9 380 Volts: 14.5 460 Volts: 12
<b>Tank Size</b>	80 gallon horizontal
<b>Key Options</b>	Bacterial filter for dryer/filter skid

Capacity based on operation at sea level. For higher altitude, contact factory for adjusted capacity.



**Ohio Medical**  
 10115 W. STATE ST., CLEVELAND, OH 44130  
 TEL: 216.891.1111 FAX: 216.891.1112  
 WWW.OHIOMEDICALPARTS.COM

DATE: 03/2026  
 DRAWING NO: 21417-001  
 REV: 1

DESIGNED BY: J. B. BROWN  
 CHECKED BY: J. B. BROWN  
 APPROVED BY: J. B. BROWN