

# S2500-S4-V240 Rotary Vane Medical Vacuum System

System is NFPA compliant and has modular construction and interconnecting piping.

## PUMP MODULE

Oil sealed rotary vane vacuum pump with NEMA motor. Each pump module is equipped with an inlet filter, check valve, pump isolation valve, and temperature switch.

## SYSTEM CONTROLS

The UL listed electrical control panel features a high-definition color touch screen that can be set up externally without the use of toggle switches. The panel displays multiple conditions, including pump running status, elapsed hours, vacuum level, and audio/visual alarms.

Standard features include lag alarm, automatic pump alternation, adjustable minimum run timer, adjustable vacuum settings, adjustable screen brightness, alarm history registry, and data logging. The panel has standard dry contacts and Modbus interface with building management systems. Ethernet and BACnet are available as options. The panel's maintenance menu includes service items and maintenance warnings, and it is programmed for both English and Spanish languages.

## VACUUM RECEIVER

Constructed to ASME standards and rated for full vacuum. Equipped with valved bypass, high visibility vacuum gauge, source isolation valve, and a manual drain valve. Mounting pads and flex connectors supplied for field installation.

## KEY OPTIONS

Variable Speed Drive Electrical Panel  
Configurable for Lab or Industrial Applications  
Gas Purge System for Lab use

<b>Configuration</b>	Quad Stack Mount
<b>System Capacity*</b>	516.6 SCFM @ 19" Hg. 60 Hz. 430.3 SCFM @ 19" Hg. 50 Hz.
<b>Horsepower (Each Pump)</b>	25 HP
<b>Horsepower (Total System)</b>	100 HP
<b>Available Voltage</b>	208/230/460V 3 PH 60 Hz. 380V 3 PH 50 Hz. Contact Factory for other voltages
<b>Full Load Amps 3 PH</b>	208 Volts: 302.2 230 Volts: 274.8 380 Volts: 165.7 460 Volts: 137.5
<b>Tank Size</b>	240 gallon vertical
<b>Bacterial Filter Bank (option)</b>	BOM-MED FB-3X2



Click here for pump specifications and industry-leading parts support

\*System capacity is stated with one pump in reserve per NFPA. Capacity based on operation at sea level. For higher altitude, contact factory for adjusted capacity.

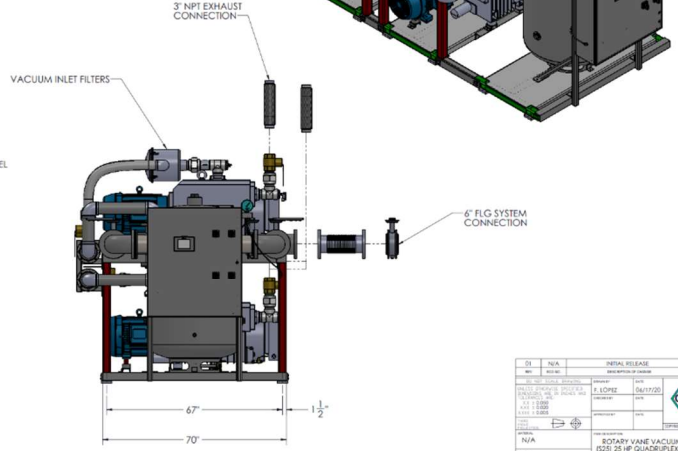
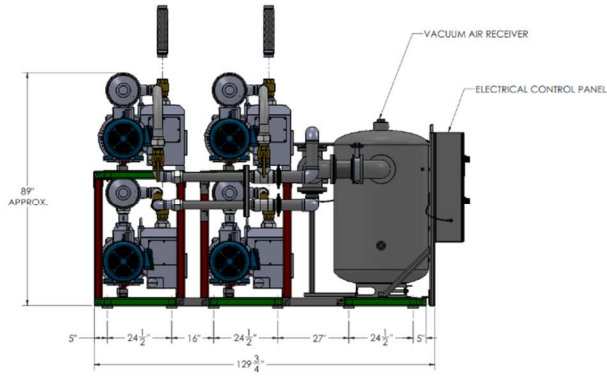
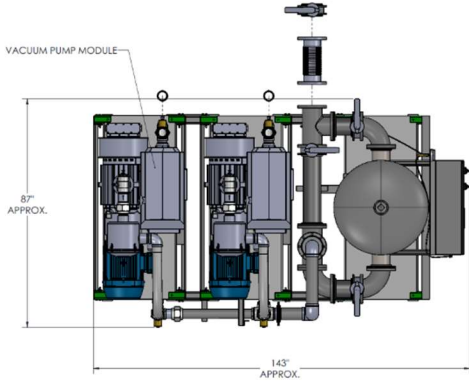
SYSTEM MODEL NO.	PART NO.	HP EACH	CONTRACTOR @ 17" HP EACH	CONTRACTOR @ 25" HP EACH	CONTRACTOR @ 31.6" HP EACH	RECEIVER SIZE (GALLONS)	PUMP INLET NPT	ESTIMATED SYSTEM WEIGHT (LB)
S22000-S14	S2500-460-S4-V240	25	172.2 / 470	76.7 / 460	31.6 / 6	240	3"	8000

SPACE ALLOWANCE FOR MAINTENANCE = 5 FT. ON ALL SIDES. MORE SPACE IS REQUIRED FOR THE OPENING OF LARGER PANEL DOORS.

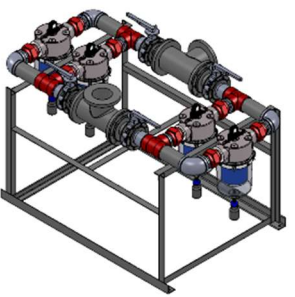
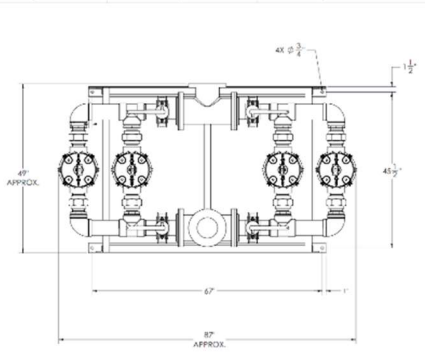
TABLE 1

SYSTEM LISTED ARE 480V. IF ANOTHER VOLTAGE IS REQUIRED, USE THE FOLLOWING PART NUMBERS.

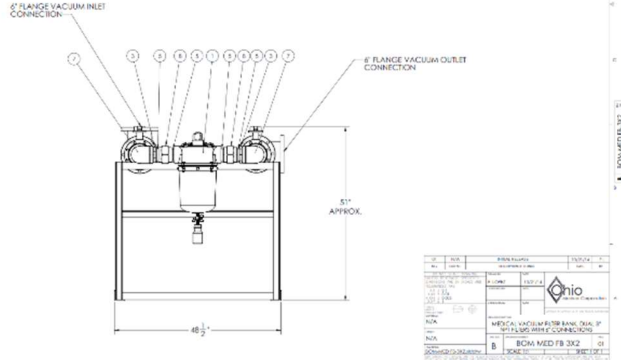
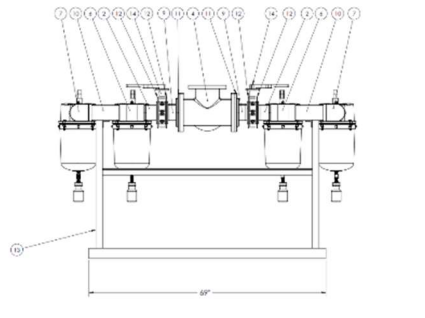
VOLTAGE	SYSTEM PIN	PUMP MODULE PIN	BRP MODULE PIN
200-60-3	S2500-208-S4-V240	100-0209	214539
230-60-3	S2500-230-S4-V240	100-0209	214539
380-50-3	S2500-380-S4-V240	100-0209	214539



REV	DATE	DESCRIPTION	BY	CHKD
1	N/A	REVISION		
2	06/17/20	REVISED TO INCLUDE 3\"/>		
3	06/17/20	REVISED TO INCLUDE 3\"/>		
4	06/17/20	REVISED TO INCLUDE 3\"/>		
5	06/17/20	REVISED TO INCLUDE 3\"/>		
6	06/17/20	REVISED TO INCLUDE 3\"/>		
7	06/17/20	REVISED TO INCLUDE 3\"/>		
8	06/17/20	REVISED TO INCLUDE 3\"/>		
9	06/17/20	REVISED TO INCLUDE 3\"/>		
10	06/17/20	REVISED TO INCLUDE 3\"/>		
11	06/17/20	REVISED TO INCLUDE 3\"/>		
12	06/17/20	REVISED TO INCLUDE 3\"/>		
13	06/17/20	REVISED TO INCLUDE 3\"/>		
14	06/17/20	REVISED TO INCLUDE 3\"/>		
15	06/17/20	REVISED TO INCLUDE 3\"/>		
16	06/17/20	REVISED TO INCLUDE 3\"/>		
17	06/17/20	REVISED TO INCLUDE 3\"/>		
18	06/17/20	REVISED TO INCLUDE 3\"/>		
19	06/17/20	REVISED TO INCLUDE 3\"/>		
20	06/17/20	REVISED TO INCLUDE 3\"/>		
21	06/17/20	REVISED TO INCLUDE 3\"/>		
22	06/17/20	REVISED TO INCLUDE 3\"/>		
23	06/17/20	REVISED TO INCLUDE 3\"/>		
24	06/17/20	REVISED TO INCLUDE 3\"/>		
25	06/17/20	REVISED TO INCLUDE 3\"/>		
26	06/17/20	REVISED TO INCLUDE 3\"/>		
27	06/17/20	REVISED TO INCLUDE 3\"/>		
28	06/17/20	REVISED TO INCLUDE 3\"/>		
29	06/17/20	REVISED TO INCLUDE 3\"/>		
30	06/17/20	REVISED TO INCLUDE 3\"/>		
31	06/17/20	REVISED TO INCLUDE 3\"/>		
32	06/17/20	REVISED TO INCLUDE 3\"/>		
33	06/17/20	REVISED TO INCLUDE 3\"/>		
34	06/17/20	REVISED TO INCLUDE 3\"/>		
35	06/17/20	REVISED TO INCLUDE 3\"/>		
36	06/17/20	REVISED TO INCLUDE 3\"/>		
37	06/17/20	REVISED TO INCLUDE 3\"/>		
38	06/17/20	REVISED TO INCLUDE 3\"/>		
39	06/17/20	REVISED TO INCLUDE 3\"/>		
40	06/17/20	REVISED TO INCLUDE 3\"/>		
41	06/17/20	REVISED TO INCLUDE 3\"/>		
42	06/17/20	REVISED TO INCLUDE 3\"/>		
43	06/17/20	REVISED TO INCLUDE 3\"/>		
44	06/17/20	REVISED TO INCLUDE 3\"/>		
45	06/17/20	REVISED TO INCLUDE 3\"/>		
46	06/17/20	REVISED TO INCLUDE 3\"/>		
47	06/17/20	REVISED TO INCLUDE 3\"/>		
48	06/17/20	REVISED TO INCLUDE 3\"/>		
49	06/17/20	REVISED TO INCLUDE 3\"/>		
50	06/17/20	REVISED TO INCLUDE 3\"/>		
51	06/17/20	REVISED TO INCLUDE 3\"/>		
52	06/17/20	REVISED TO INCLUDE 3\"/>		
53	06/17/20	REVISED TO INCLUDE 3\"/>		
54	06/17/20	REVISED TO INCLUDE 3\"/>		
55	06/17/20	REVISED TO INCLUDE 3\"/>		
56	06/17/20	REVISED TO INCLUDE 3\"/>		
57	06/17/20	REVISED TO INCLUDE 3\"/>		
58	06/17/20	REVISED TO INCLUDE 3\"/>		
59	06/17/20	REVISED TO INCLUDE 3\"/>		
60	06/17/20	REVISED TO INCLUDE 3\"/>		
61	06/17/20	REVISED TO INCLUDE 3\"/>		
62	06/17/20	REVISED TO INCLUDE 3\"/>		
63	06/17/20	REVISED TO INCLUDE 3\"/>		
64	06/17/20	REVISED TO INCLUDE 3\"/>		
65	06/17/20	REVISED TO INCLUDE 3\"/>		
66	06/17/20	REVISED TO INCLUDE 3\"/>		
67	06/17/20	REVISED TO INCLUDE 3\"/>		
68	06/17/20	REVISED TO INCLUDE 3\"/>		
69	06/17/20	REVISED TO INCLUDE 3\"/>		
70	06/17/20	REVISED TO INCLUDE 3\"/>		
71	06/17/20	REVISED TO INCLUDE 3\"/>		
72	06/17/20	REVISED TO INCLUDE 3\"/>		
73	06/17/20	REVISED TO INCLUDE 3\"/>		
74	06/17/20	REVISED TO INCLUDE 3\"/>		
75	06/17/20	REVISED TO INCLUDE 3\"/>		
76	06/17/20	REVISED TO INCLUDE 3\"/>		
77	06/17/20	REVISED TO INCLUDE 3\"/>		
78	06/17/20	REVISED TO INCLUDE 3\"/>		
79	06/17/20	REVISED TO INCLUDE 3\"/>		
80	06/17/20	REVISED TO INCLUDE 3\"/>		
81	06/17/20	REVISED TO INCLUDE 3\"/>		
82	06/17/20	REVISED TO INCLUDE 3\"/>		
83	06/17/20	REVISED TO INCLUDE 3\"/>		
84	06/17/20	REVISED TO INCLUDE 3\"/>		
85	06/17/20	REVISED TO INCLUDE 3\"/>		
86	06/17/20	REVISED TO INCLUDE 3\"/>		
87	06/17/20	REVISED TO INCLUDE 3\"/>		
88	06/17/20	REVISED TO INCLUDE 3\"/>		
89	06/17/20	REVISED TO INCLUDE 3\"/>		
90	06/17/20	REVISED TO INCLUDE 3\"/>		
91	06/17/20	REVISED TO INCLUDE 3\"/>		
92	06/17/20	REVISED TO INCLUDE 3\"/>		
93	06/17/20	REVISED TO INCLUDE 3\"/>		
94	06/17/20	REVISED TO INCLUDE 3\"/>		
95	06/17/20	REVISED TO INCLUDE 3\"/>		
96	06/17/20	REVISED TO INCLUDE 3\"/>		
97	06/17/20	REVISED TO INCLUDE 3\"/>		
98	06/17/20	REVISED TO INCLUDE 3\"/>		
99	06/17/20	REVISED TO INCLUDE 3\"/>		
100	06/17/20	REVISED TO INCLUDE 3\"/>		



ITEM NO.	QTY	PART NUMBER	DESCRIPTION	REV
1	4	2591-13	MEDICAL VACUUM FILTER 12.5 MICRONS 3\"/>	
2	4	A125G41	4.5\"/>	
3	8	A125H13	4.5\"/>	
4	2	A125K140	4\"/>	
5	16	A125G11	8\"/>	
6	1	A125H13	4\"/>	
7	4	A125H13	4\"/>	
8	8	A125H13	4\"/>	
9	4	A125H13	4\"/>	
10	1	A125H13	4\"/>	
11	4	A125H13	4\"/>	
12	8	A125H13	4\"/>	
13	1	A125H13	4\"/>	
14	1	800-4	BASE ASSEMBLY FOR 25 HP QUADRUPEX BANK WITH 8\"/>	



REV	DATE	DESCRIPTION	BY	CHKD
1	N/A	REVISION		
2	06/17/20	REVISED TO INCLUDE 3\"/>		
3	06/17/20	REVISED TO INCLUDE 3\"/>		
4	06/17/20	REVISED TO INCLUDE 3\"/>		
5	06/17/20	REVISED TO INCLUDE 3\"/>		
6	06/17/20	REVISED TO INCLUDE 3\"/>		
7	06/17/20	REVISED TO INCLUDE 3\"/>		
8	06/17/20	REVISED TO INCLUDE 3\"/>		
9	06/17/20	REVISED TO INCLUDE 3\"/>		
10	06/17/20	REVISED TO INCLUDE 3\"/>		
11	06/17/20	REVISED TO INCLUDE 3\"/>		
12	06/17/20	REVISED TO INCLUDE 3\"/>		
13	06/17/20	REVISED TO INCLUDE 3\"/>		
14	06/17/20	REVISED TO INCLUDE 3\"/>		
15	06/17/20	REVISED TO INCLUDE 3\"/>		
16	06/17/20	REVISED TO INCLUDE 3\"/>		
17	06/17/20	REVISED TO INCLUDE 3\"/>		
18	06/17/20	REVISED TO INCLUDE 3\"/>		
19	06/17/20	REVISED TO INCLUDE 3\"/>		
20	06/17/20	REVISED TO INCLUDE 3\"/>		
21	06/17/20	REVISED TO INCLUDE 3\"/>		
22	06/17/20	REVISED TO INCLUDE 3\"/>		
23	06/17/20	REVISED TO INCLUDE 3\"/>		
24	06/17/20	REVISED TO INCLUDE 3\"/>		
25	06/17/20	REVISED TO INCLUDE 3\"/>		
26	06/17/20	REVISED TO INCLUDE 3\"/>		
27	06/17/20	REVISED TO INCLUDE 3\"/>		
28	06/17/20	REVISED TO INCLUDE 3\"/>		
29	06/17/20	REVISED TO INCLUDE 3\"/>		
30	06/17/20	REVISED TO INCLUDE 3\"/>		
31	06/17/20	REVISED TO INCLUDE 3\"/>		
32	06/17/20	REVISED TO INCLUDE 3\"/>		
33	06/17/20	REVISED TO INCLUDE 3\"/>		
34	06/17/20	REVISED TO INCLUDE 3\"/>		
35	06/17/20	REVISED TO INCLUDE 3\"/>		
36	06/17/20	REVISED TO INCLUDE 3\"/>		
37	06/17/20	REVISED TO INCLUDE 3\"/>		
38	06/17/20	REVISED TO INCLUDE 3\"/>		
39	06/17/20	REVISED TO INCLUDE 3\"/>		
40	06/17/20	REVISED TO INCLUDE 3\"/>		
41	06/17/20	REVISED TO INCLUDE 3\"/>		
42	06/17/20	REVISED TO INCLUDE 3\"/>		
43	06/17/20	REVISED TO INCLUDE 3\"/>		
44	06/17/20	REVISED TO INCLUDE 3\"/>		
45	06/17/20	REVISED TO INCLUDE 3\"/>		
46	06/17/20	REVISED TO INCLUDE 3\"/>		
47	06/17/20	REVISED TO INCLUDE 3\"/>		
48	06/17/20	REVISED TO INCLUDE 3\"/>		
49	06/17/20	REVISED TO INCLUDE 3\"/>		
50	06/17/20	REVISED TO INCLUDE 3\"/>		
51	06/17/20	REVISED TO INCLUDE 3\"/>		
52	06/17/20	REVISED TO INCLUDE 3\"/>		
53	06/17/20	REVISED TO INCLUDE 3\"/>		
54	06/17/20	REVISED TO INCLUDE 3\"/>		
55	06/17/20	REVISED TO INCLUDE 3\"/>		
56	06/17/20	REVISED TO INCLUDE 3\"/>		
57	06/17/20	REVISED TO INCLUDE 3\"/>		
58	06/17/20	REVISED TO INCLUDE 3\"/>		
59	06/17/20	REVISED TO INCLUDE 3\"/>		
60	06/17/20	REVISED TO INCLUDE 3\"/>		
61	06/17/20	REVISED TO INCLUDE 3\"/>		
62	06/17/20	REVISED TO INCLUDE 3\"/>		
63	06/17/20	REVISED TO INCLUDE 3\"/>		
64	06/17/20	REVISED TO INCLUDE 3\"/>		
65	06/17/20	REVISED TO INCLUDE 3\"/>		
66	06/17/20	REVISED TO INCLUDE 3\"/>		
67	06/17/20	REVISED TO INCLUDE 3\"/>		
68	06/17/20	REVISED TO INCLUDE 3\"/>		
69	06/17/20	REVISED TO INCLUDE 3\"/>		
70	06/17/20	REVISED TO INCLUDE 3\"/>		
71	06/17/20	REVISED TO INCLUDE 3\"/>		
72	06/17/20	REVISED TO INCLUDE 3\"/>		
73	06/17/20	REVISED TO INCLUDE 3\"/>		
74	06/17/20	REVISED TO INCLUDE 3\"/>		
75	06/17/20	REVISED TO INCLUDE 3\"/>		
76	06/17/20	REVISED TO INCLUDE 3\"/>		
77	06/17/20	REVISED TO INCLUDE 3\"/>		
78	06/17/20	REVISED TO INCLUDE 3\"/>		
79	06/17/20	REVISED TO INCLUDE 3\"/>		
80	06/17/20	REVISED TO INCLUDE 3\"/>		
81	06/17/20	REVISED TO INCLUDE 3\"/>		
82	06/17/20	REVISED TO INCLUDE 3\"/>		
83	06/17/20	REVISED TO INCLUDE 3\"/>		
84	06/17/20	REVISED TO INCLUDE 3\"/>		
85	06/17/20	REVISED TO INCLUDE 3\"/>		
86	06/17/20	REVISED TO INCLUDE 3\"/>		
87	06/17/20	REVISED TO INCLUDE 3\"/>		
88	06/17/20	REVISED TO INCLUDE 3\"/>		
89	06/17/20	REVISED TO INCLUDE 3\"/>		
90	06/17/20	REVISED TO INCLUDE 3\"/>		
91	06/17/20	REVISED TO INCLUDE 3\"/>		
92	06/17/20	REVISED TO INCLUDE 3\"/>		
93	06/17/20	REVISED TO INCLUDE 3\"/>		
94	06/17/20	REVISED TO INCLUDE 3\"/>		
95	06/17/20	REVISED TO INCLUDE 3\"/>		
96	06/17/20	REVISED TO INCLUDE 3\"/>		
97	06/17/20	REVISED TO INCLUDE 3\"/>		
98	06/17/20	REVISED TO INCLUDE 3\"/>		
99	06/17/20	REVISED TO INCLUDE 3\"/>		
100	06/17/20	REVISED TO INCLUDE 3\"/>		