

S750-S4-V240 Rotary Vane Medical Vacuum System

System is NFPA compliant and has modular construction and interconnecting piping.

PUMP MODULE

Oil sealed rotary vane vacuum pump with NEMA motor. Each pump module is equipped with an inlet filter, check valve, pump isolation valve, and temperature switch.

SYSTEM CONTROLS

The UL listed electrical control panel features a high-definition color touch screen that can be set up externally without the use of toggle switches. The panel displays multiple conditions, including pump running status, elapsed hours, vacuum level, and audio/visual alarms.

Standard features include lag alarm, automatic pump alternation, adjustable minimum run timer, adjustable vacuum settings, adjustable screen brightness, alarm history registry, and data logging. The panel has standard dry contacts and Modbus interface with building management systems. Ethernet and BACnet are available as options. The panel's maintenance menu includes service items and maintenance warnings, and it is programmed for both English and Spanish languages.

VACUUM RECEIVER

Constructed to ASME standards and rated for full vacuum. Equipped with valved bypass, high visibility vacuum gauge, source isolation valve, and a manual drain valve. Mounting pads and flex connectors supplied for field installation.

KEY OPTIONS

Variable Speed Drive Electrical Panel
Configurable for Lab or Industrial Applications
Gas Purge System for Lab use

Configuration	Quadruplex Stack Mount
System Capacity*	180.3 SCFM @ 19" Hg. 60 Hz. 150.2 SCFM @ 19" Hg. 50 Hz.
Horsepower (Each Pump)	7.5 HP
Horsepower (Total System)	30 HP
Available Voltage	208/230/460V 3PH 60 Hz. 380V 3 PH 50 Hz. Contact Factory for other voltages
Full Load Amps 3 ph.	208 Volts: 99.8 230 Volts: 90.8 380 Volts: 54.9 460 Volts: 45.5
Tank Size	240 gallon vertical
Bacterial Filter Bank (option)	BOM-MED FB-3



Click here for pump specifications and industry-leading parts support

*System capacity is stated with one pump in reserve per NFPA. Capacity based on operation at sea level. For higher altitude, contact factory for adjusted capacity.

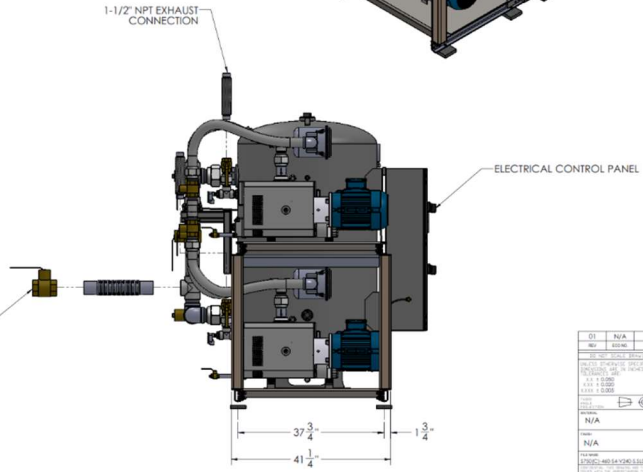
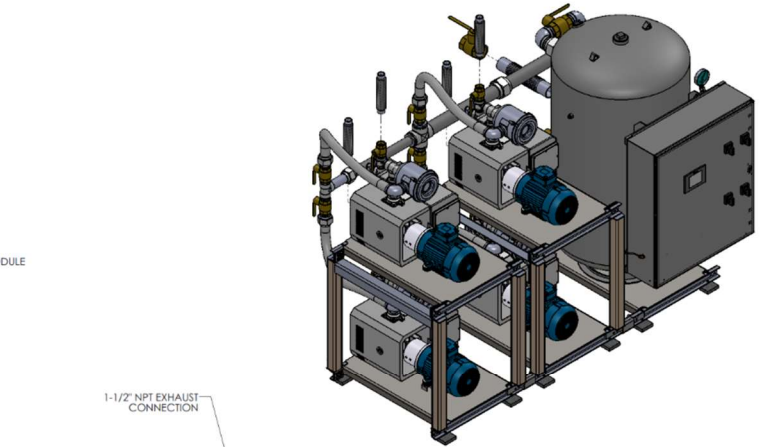
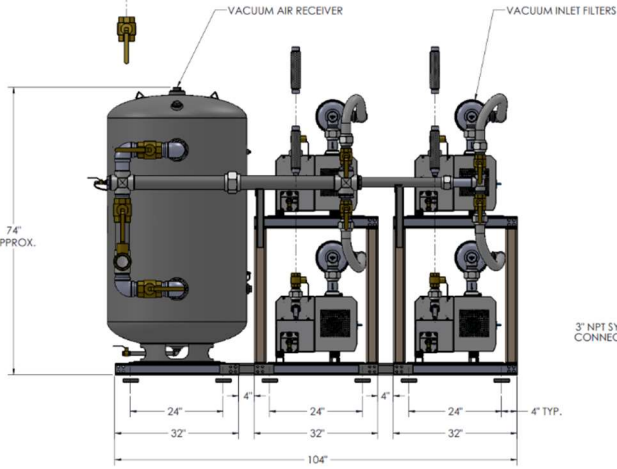
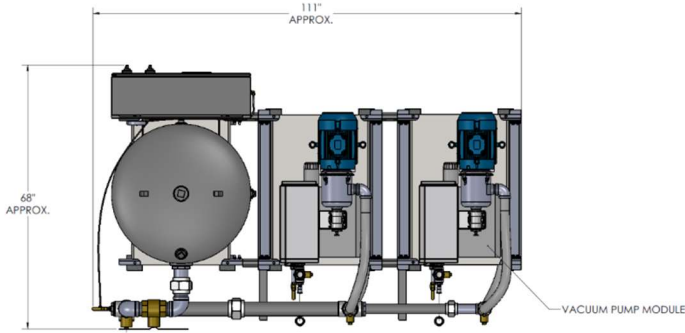
SYSTEM MODEL NO.	PART NO.	HP EACH	SCFM/FACHM @ 19" HG EACH	SCFM/FACHM @ 25" HG EACH	DESIGN CAPACITY (8 1/2" HG EACH)	RECOVERY TIME (GALLONS)	PUMP INLET NPT	ESTIMATED SYSTEM WEIGHT (LBS)
S790B-S14	S750(C)-460-S4-V240	7.5	60.1 / 164	27.3 / 164	180.3	240	2"	3600

SPACE ALLOWANCE FOR MAINTENANCE = 3 FT. ON ALL SIDES. MORE SPACE IS REQUIRED FOR THE OPENING OF LARGER PANEL DOORS.

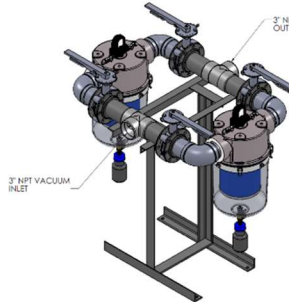
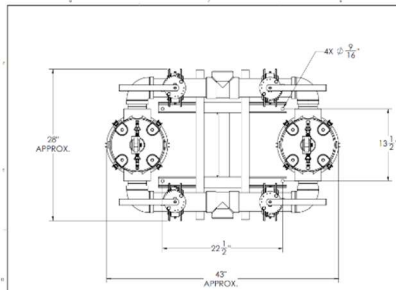
TABLE 1

SYSTEM LISTED ARE 460V. IF ANOTHER VOLTAGE IS REQUIRED, USE THE FOLLOWING PART NUMBERS.

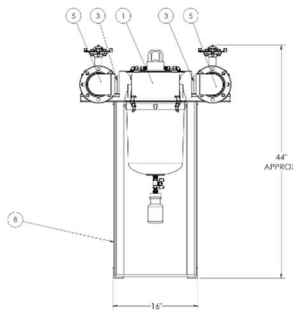
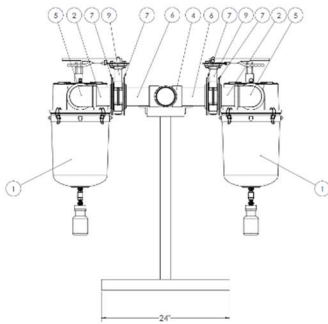
VOLTAGE	SYSTEM P/N	PUMP MODULE P/N	TRIP MODULE P/N
208-40-3	S750(C)-208-S4-V240	100-0205	214546
230-40-3	S750(C)-230-S4-V240	100-0205	214546
380-50-3	S750(C)-380-S4-V240	100-0205	214546



01	N/A	INITIAL RELEASE	10/07/2023	F.1
02	010-02	REWORKED QUANTITY		01
03	010-02	REWORKED QUANTITY		01
04	010-02	REWORKED QUANTITY		01
05	010-02	REWORKED QUANTITY		01
06	010-02	REWORKED QUANTITY		01
07	010-02	REWORKED QUANTITY		01
08	010-02	REWORKED QUANTITY		01
09	010-02	REWORKED QUANTITY		01
10	010-02	REWORKED QUANTITY		01
11	010-02	REWORKED QUANTITY		01
12	010-02	REWORKED QUANTITY		01
13	010-02	REWORKED QUANTITY		01
14	010-02	REWORKED QUANTITY		01
15	010-02	REWORKED QUANTITY		01
16	010-02	REWORKED QUANTITY		01
17	010-02	REWORKED QUANTITY		01
18	010-02	REWORKED QUANTITY		01
19	010-02	REWORKED QUANTITY		01
20	010-02	REWORKED QUANTITY		01
21	010-02	REWORKED QUANTITY		01
22	010-02	REWORKED QUANTITY		01
23	010-02	REWORKED QUANTITY		01
24	010-02	REWORKED QUANTITY		01
25	010-02	REWORKED QUANTITY		01
26	010-02	REWORKED QUANTITY		01
27	010-02	REWORKED QUANTITY		01
28	010-02	REWORKED QUANTITY		01
29	010-02	REWORKED QUANTITY		01
30	010-02	REWORKED QUANTITY		01
31	010-02	REWORKED QUANTITY		01
32	010-02	REWORKED QUANTITY		01
33	010-02	REWORKED QUANTITY		01
34	010-02	REWORKED QUANTITY		01
35	010-02	REWORKED QUANTITY		01
36	010-02	REWORKED QUANTITY		01
37	010-02	REWORKED QUANTITY		01
38	010-02	REWORKED QUANTITY		01
39	010-02	REWORKED QUANTITY		01
40	010-02	REWORKED QUANTITY		01
41	010-02	REWORKED QUANTITY		01
42	010-02	REWORKED QUANTITY		01
43	010-02	REWORKED QUANTITY		01
44	010-02	REWORKED QUANTITY		01
45	010-02	REWORKED QUANTITY		01
46	010-02	REWORKED QUANTITY		01
47	010-02	REWORKED QUANTITY		01
48	010-02	REWORKED QUANTITY		01
49	010-02	REWORKED QUANTITY		01
50	010-02	REWORKED QUANTITY		01
51	010-02	REWORKED QUANTITY		01
52	010-02	REWORKED QUANTITY		01
53	010-02	REWORKED QUANTITY		01
54	010-02	REWORKED QUANTITY		01
55	010-02	REWORKED QUANTITY		01
56	010-02	REWORKED QUANTITY		01
57	010-02	REWORKED QUANTITY		01
58	010-02	REWORKED QUANTITY		01
59	010-02	REWORKED QUANTITY		01
60	010-02	REWORKED QUANTITY		01
61	010-02	REWORKED QUANTITY		01
62	010-02	REWORKED QUANTITY		01
63	010-02	REWORKED QUANTITY		01
64	010-02	REWORKED QUANTITY		01
65	010-02	REWORKED QUANTITY		01
66	010-02	REWORKED QUANTITY		01
67	010-02	REWORKED QUANTITY		01
68	010-02	REWORKED QUANTITY		01
69	010-02	REWORKED QUANTITY		01
70	010-02	REWORKED QUANTITY		01
71	010-02	REWORKED QUANTITY		01
72	010-02	REWORKED QUANTITY		01
73	010-02	REWORKED QUANTITY		01
74	010-02	REWORKED QUANTITY		01
75	010-02	REWORKED QUANTITY		01
76	010-02	REWORKED QUANTITY		01
77	010-02	REWORKED QUANTITY		01
78	010-02	REWORKED QUANTITY		01
79	010-02	REWORKED QUANTITY		01
80	010-02	REWORKED QUANTITY		01
81	010-02	REWORKED QUANTITY		01
82	010-02	REWORKED QUANTITY		01
83	010-02	REWORKED QUANTITY		01
84	010-02	REWORKED QUANTITY		01
85	010-02	REWORKED QUANTITY		01
86	010-02	REWORKED QUANTITY		01
87	010-02	REWORKED QUANTITY		01
88	010-02	REWORKED QUANTITY		01
89	010-02	REWORKED QUANTITY		01
90	010-02	REWORKED QUANTITY		01
91	010-02	REWORKED QUANTITY		01
92	010-02	REWORKED QUANTITY		01
93	010-02	REWORKED QUANTITY		01
94	010-02	REWORKED QUANTITY		01
95	010-02	REWORKED QUANTITY		01
96	010-02	REWORKED QUANTITY		01
97	010-02	REWORKED QUANTITY		01
98	010-02	REWORKED QUANTITY		01
99	010-02	REWORKED QUANTITY		01
100	010-02	REWORKED QUANTITY		01



ITEM NO.	QTY.	PART NUMBER	DESCRIPTION	REV.
1	2	3000-13	MEDICAL VACUUM FILTER 0.2 MICRONS 2 PPH	
2	4	A-12530-10	2 1/2\"/>	
3	4	A-12530-11	3\"/>	
4	2	A-12530-12	3\"/>	
5	4	A-12530-13	3\"/>	
6	4	A-12530-14	3\"/>	
7	8	8\"/>		
8	1	3000-13P	WELDED BASE, MEDICAL FILTER BANK 2 PPH	
9	4	807-5	BUTTERFLY VALVE 2\"/>	



01	N/A	INITIAL RELEASE	10/07/2023	F.1
02	010-02	REWORKED QUANTITY		01
03	010-02	REWORKED QUANTITY		01
04	010-02	REWORKED QUANTITY		01
05	010-02	REWORKED QUANTITY		01
06	010-02	REWORKED QUANTITY		01
07	010-02	REWORKED QUANTITY		01
08	010-02	REWORKED QUANTITY		01
09	010-02	REWORKED QUANTITY		01
10	010-02	REWORKED QUANTITY		01
11	010-02	REWORKED QUANTITY		01
12	010-02	REWORKED QUANTITY		01
13	010-02	REWORKED QUANTITY		01
14	010-02	REWORKED QUANTITY		01
15	010-02	REWORKED QUANTITY		01
16	010-02	REWORKED QUANTITY		01
17	010-02	REWORKED QUANTITY		01
18	010-02	REWORKED QUANTITY		01
19	010-02	REWORKED QUANTITY		01
20	010-02	REWORKED QUANTITY		01
21	010-02	REWORKED QUANTITY		01
22	010-02	REWORKED QUANTITY		01
23	010-02	REWORKED QUANTITY		01
24	010-02	REWORKED QUANTITY		01
25	010-02	REWORKED QUANTITY		01
26	010-02	REWORKED QUANTITY		01
27	010-02	REWORKED QUANTITY		01
28	010-02	REWORKED QUANTITY		01
29	010-02	REWORKED QUANTITY		01
30	010-02	REWORKED QUANTITY		01
31	010-02	REWORKED QUANTITY		01
32	010-02	REWORKED QUANTITY		01
33	010-02	REWORKED QUANTITY		01
34	010-02	REWORKED QUANTITY		01
35	010-02	REWORKED QUANTITY		01
36	010-02	REWORKED QUANTITY		01
37	010-02	REWORKED QUANTITY		01
38	010-02	REWORKED QUANTITY		01
39	010-02	REWORKED QUANTITY		01
40	010-02	REWORKED QUANTITY		01
41	010-02	REWORKED QUANTITY		01
42	010-02	REWORKED QUANTITY		01
43	010-02	REWORKED QUANTITY		01
44	010-02	REWORKED QUANTITY		01
45	010-02	REWORKED QUANTITY		01
46	010-02	REWORKED QUANTITY		01
47	010-02	REWORKED QUANTITY		01
48	010-02	REWORKED QUANTITY		01
49	010-02	REWORKED QUANTITY		01
50	010-02	REWORKED QUANTITY		01
51	010-02	REWORKED QUANTITY		01
52	010-02	REWORKED QUANTITY		01
53	010-02	REWORKED QUANTITY		01
54	010-02	REWORKED QUANTITY		01
55	010-02	REWORKED QUANTITY		01
56	010-02	REWORKED QUANTITY		01
57	010-02	REWORKED QUANTITY		01
58	010-02	REWORKED QUANTITY		01
59	010-02	REWORKED QUANTITY		01
60	010-02	REWORKED QUANTITY		01
61	010-02	REWORKED QUANTITY		01
62	010-02	REWORKED QUANTITY		01
63	010-02	REWORKED QUANTITY		01
64	010-02	REWORKED QUANTITY		01
65	010-02	REWORKED QUANTITY		01
66	010-02	REWORKED QUANTITY		01
67	010-02	REWORKED QUANTITY		01
68	010-02	REWORKED QUANTITY		01
69	010-02	REWORKED QUANTITY		01
70	010-02	REWORKED QUANTITY		01
71	010-02	REWORKED QUANTITY		01
72	010-02	REWORKED QUANTITY		01
73	010-02	REWORKED QUANTITY		01
74	010-02	REWORKED QUANTITY		01
75	010-02	REWORKED QUANTITY		01
76	010-02	REWORKED QUANTITY		01
77	010-02	REWORKED QUANTITY		01
78	010-02	REWORKED QUANTITY		01
79	010-02	REWORKED QUANTITY		01
80	010-02	REWORKED QUANTITY		01
81	010-02	REWORKED QUANTITY		01
82	010-02	REWORKED QUANTITY		01
83	010-02	REWORKED QUANTITY		01
84	010-02	REWORKED QUANTITY		01
85	010-02	REWORKED QUANTITY		01
86	010-02	REWORKED QUANTITY		01
87	010-02	REWORKED QUANTITY		01
88	010-02	REWORKED QUANTITY		01
89	010-02	REWORKED QUANTITY		01
90	010-02	REWORKED QUANTITY		01
91	010-02	REWORKED QUANTITY		01
92	010-02	REWORKED QUANTITY		01
93	010-02	REWORKED QUANTITY		01
94	010-02	REWORKED QUANTITY		01
95	010-02	REWORKED QUANTITY		01
96	010-02	REWORKED QUANTITY		01
97	010-02	REWORKED QUANTITY		01
98	010-02	REWORKED QUANTITY		01
99	010-02	REWORKED QUANTITY		01
100	010-02	REWORKED QUANTITY		01