

# SC1500-S2-V200 Claw Medical Vacuum System

System is NFPA compliant and has modular construction and interconnecting piping.

## PUMP MODULE

Oil-less rotary claw air cooled vacuum pump with NEMA motor. Each pump module is equipped with an inlet filter, check valve, pump isolation valve, internal discharge silencer, and temperature switch.

## SYSTEM CONTROLS

The UL listed soft start electrical control panel features a high-definition color touch screen that can be set up externally without the use of toggle switches. The panel displays multiple conditions, including pump running status, elapsed hours, vacuum level, and audio/visual alarms.

Standard features include lag alarm, automatic pump alternation, adjustable minimum run timer, adjustable vacuum settings, adjustable screen brightness, alarm history registry, and data logging. The panel has standard dry contacts and Modbus interface with building management systems. Ethernet and BACnet are available as options. The panel's maintenance menu includes service items and maintenance warnings, and it is programmed for both English and Spanish languages.

## VACUUM RECEIVER

Constructed to ASME standards and rated for full vacuum. Equipped with valved bypass, high visibility vacuum gauge, source isolation valve, and a manual drain valve. Mounting pads and flex connectors supplied for field installation.

## KEY OPTIONS

Variable Speed Drive Electrical Panel  
 O2 Assured Oil for gearbox  
 Configurable for Lab or Industrial Applications  
 Gas Purge System for Lab use

<b>Configuration</b>	Duplex Stack Mount
<b>System Capacity*</b>	128 SCFM @ 19" Hg. 60 Hz. 106.6 SCFM @ 19" Hg. 50 Hz.
<b>Horsepower (Each Pump)</b>	15 HP
<b>Horsepower (Total System)</b>	30 HP
<b>Available Voltage</b>	208/230/460 v. 3 phase 60 Hz. 380 v. 3 phase 50 Hz. Contact Factory for other voltages
<b>Full Load Amps 3 ph.</b>	208 volts: 93.6 230 volts: 85.1 380 volts: 50.8 460 volts: 42.6
<b>Tank Size</b>	200 gallon vertical
<b>Medical Filter Bank (option)</b>	BOM-MED FB-3



Click here for pump specifications and industry-leading parts support.

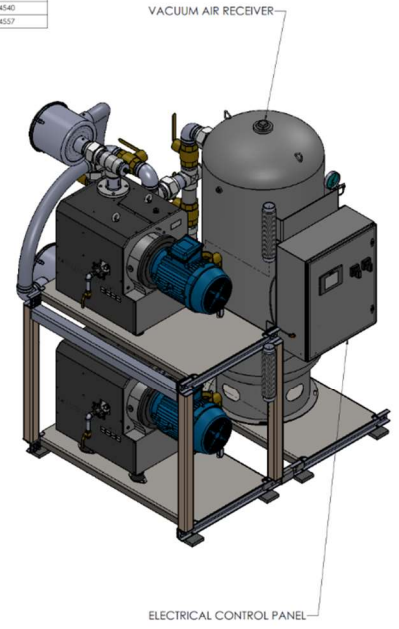
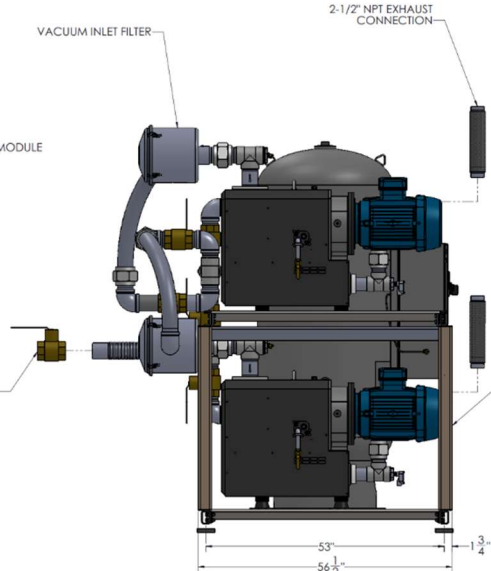
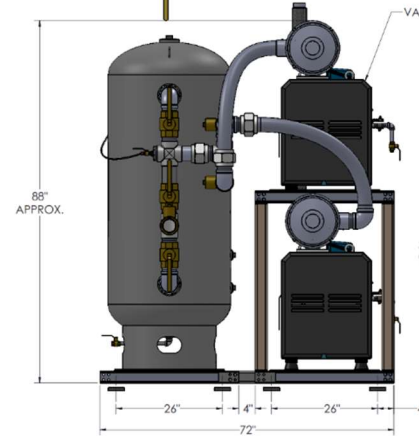
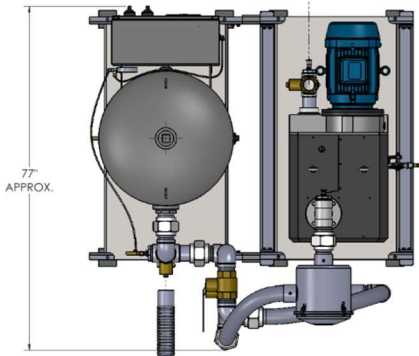
\*System capacity is stated with one pump in reserve per NFPA. Capacity based on operation at sea level. For higher altitude, contact factory for adjusted capacity.

SYSTEM MODEL NO.	PART NO.	HP EACH	SC-110/ACHM @ 19" Hg EACH	SC-110/ACHM @ 22" Hg EACH	DESIGN CAPACITY (@ 19" Hg EACH)	RECEIVER SIZE (GALLONS)	PUMP INLET NPT	ESTIMATED SYSTEM WEIGHT (LB)	NOISE LEVEL (dBA)
C1500B-S12	SC1500-460-S2-V200	15	128 / 330	88 / 330	128	200	3"	3200	78

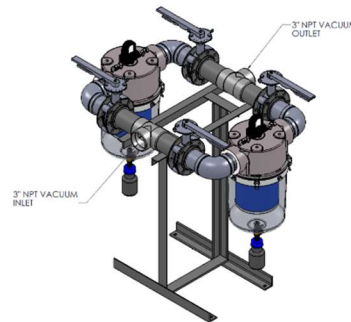
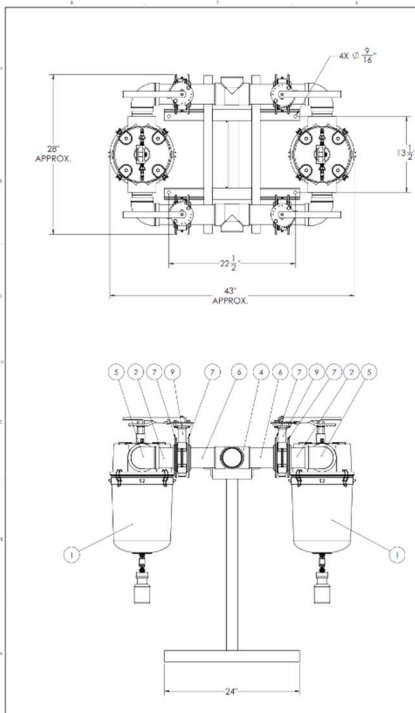
SPACE ALLOWANCE FOR MAINTENANCE = 3 FT. ON ALL SIDES. MORE SPACE IS REQUIRED FOR THE OPENING OF LARGER PANEL DOORS.

VOLTAGE	SYSTEM P/N	PUMP MODULE P/N	MOTOR OVERLOAD PROTECTION
208-60-3	SC1500-208-S2-V200	100-0135	214540
230-60-3	SC1500-230-S2-V200	100-0135	214540
380-50-3	SC1500-380-S2-V200	100-0135	214557

SYSTEM LISTED ARE 460V. IF ANOTHER VOLTAGE IS REQUIRED, USE THE FOLLOWING PART NUMBERS.



REV	DESCRIPTION	DATE	BY
01	N/A	07/26/22	JG
02	INITIAL RELEASE	07/26/22	JG
03	REVISION NUMBER		
04	REV		
05	DATE		
06	BY		
07	APP		
08	CHK		
09	DESIGNER		
10	DATE		
11	BY		
12	CHK		
13	APP		
14	CHK		
15	APP		
16	CHK		
17	APP		
18	CHK		
19	APP		
20	CHK		
21	APP		
22	CHK		
23	APP		
24	CHK		
25	APP		
26	CHK		
27	APP		
28	CHK		
29	APP		
30	CHK		
31	APP		
32	CHK		
33	APP		
34	CHK		
35	APP		
36	CHK		
37	APP		
38	CHK		
39	APP		
40	CHK		
41	APP		
42	CHK		
43	APP		
44	CHK		
45	APP		
46	CHK		
47	APP		
48	CHK		
49	APP		
50	CHK		
51	APP		
52	CHK		
53	APP		
54	CHK		
55	APP		
56	CHK		
57	APP		
58	CHK		
59	APP		
60	CHK		
61	APP		
62	CHK		
63	APP		
64	CHK		
65	APP		
66	CHK		
67	APP		
68	CHK		
69	APP		
70	CHK		
71	APP		
72	CHK		
73	APP		
74	CHK		
75	APP		
76	CHK		
77	APP		
78	CHK		
79	APP		
80	CHK		
81	APP		
82	CHK		
83	APP		
84	CHK		
85	APP		
86	CHK		
87	APP		
88	CHK		
89	APP		
90	CHK		
91	APP		
92	CHK		
93	APP		
94	CHK		
95	APP		
96	CHK		
97	APP		
98	CHK		
99	APP		
100	CHK		



ITEM NO.	QUANTITY	PART NUMBER	DESCRIPTION	REF. NO'S
1	2	228113	MEDICAL VACUUM FILTER 0.2 MICRONS 2 NPT	
2	4	A-13102-54	3/4\"/>	
3	4	A-13102-11	2\"/>	
4	2	A-13108-11	2\"/>	
5	4	A-13107-11	2\"/>	
6	4	A-14201-8	2\"/>	
7	8	B-14624-2	RANGE 2	
8	1	1\"/>		
9	4	B3.5	BUTTERFLY VALVE 2 NPT	

REV	DESCRIPTION	DATE	BY
01	N/A		
02	INITIAL RELEASE		
03	REVISION NUMBER		
04	REV		
05	DATE		
06	BY		
07	APP		
08	CHK		
09	DESIGNER		
10	DATE		
11	BY		
12	CHK		
13	APP		
14	CHK		
15	APP		
16	CHK		
17	APP		
18	CHK		
19	APP		
20	CHK		
21	APP		
22	CHK		
23	APP		
24	CHK		
25	APP		
26	CHK		
27	APP		
28	CHK		
29	APP		
30	CHK		
31	APP		
32	CHK		
33	APP		
34	CHK		
35	APP		
36	CHK		
37	APP		
38	CHK		
39	APP		
40	CHK		
41	APP		
42	CHK		
43	APP		
44	CHK		
45	APP		
46	CHK		
47	APP		
48	CHK		
49	APP		
50	CHK		
51	APP		
52	CHK		
53	APP		
54	CHK		
55	APP		
56	CHK		
57	APP		
58	CHK		
59	APP		
60	CHK		
61	APP		
62	CHK		
63	APP		
64	CHK		
65	APP		
66	CHK		
67	APP		
68	CHK		
69	APP		
70	CHK		
71	APP		
72	CHK		
73	APP		
74	CHK		
75	APP		
76	CHK		
77	APP		
78	CHK		
79	APP		
80	CHK		
81	APP		
82	CHK		
83	APP		
84	CHK		
85	APP		
86	CHK		
87	APP		
88	CHK		
89	APP		
90	CHK		
91	APP		
92	CHK		
93	APP		
94	CHK		
95	APP		
96	CHK		
97	APP		
98	CHK		
99	APP		
100	CHK		