

SC1500L-S2-V200 Claw Medical Vacuum System

System is NFPA compliant and has modular construction and interconnecting piping.

PUMP MODULE

Oil-less rotary claw air cooled vacuum pump with NEMA motor. Each pump module is equipped with an inlet filter, check valve, pump isolation valve, internal discharge silencer, and temperature switch.

SYSTEM CONTROLS

The UL listed soft start electrical control panel features a high-definition color touch screen that can be set up externally without the use of toggle switches. The panel displays multiple conditions, including pump running status, elapsed hours, vacuum level, and audio/visual alarms.

Standard features include lag alarm, automatic pump alternation, adjustable minimum run timer, adjustable vacuum settings, adjustable screen brightness, alarm history registry, and data logging. The panel has standard dry contacts and Modbus interface with building management systems. Ethernet and BACnet are available as options. The panel's maintenance menu includes service items and maintenance warnings, and it is programmed for both English and Spanish languages.

VACUUM RECEIVER

Constructed to ASME standards and rated for full vacuum. Equipped with valved bypass, high visibility vacuum gauge, source isolation valve, and a manual drain valve. Mounting pads and flex connectors supplied for field installation.

KEY OPTIONS

Variable Speed Drive Electrical Panel
 O2 Assured Oil for gearbox
 Configurable for Lab or Industrial Applications
 Gas Purge System for Lab use

Configuration	Duplex Stack Mount
System Capacity*	95 SCFM @ 19" Hg. 60 Hz. 79.1 SCFM @ 19" Hg. 50 Hz.
Horsepower (Each Pump)	15 HP
Horsepower (Total System)	30 HP
Available Voltage	208/230/460 v. 3 phase 60 Hz. 380 v. 3 phase 50 Hz. Contact Factory for other voltages
Full Load Amps 3 ph.	208 volts: 93.6 230 volts: 85.1 380 volts: 50.8 460 volts: 42.6
Tank Size	200 gallon vertical
Medical Filter Bank (option)	BOM-MED FB-3



Click here for pump specifications and industry-leading parts support.

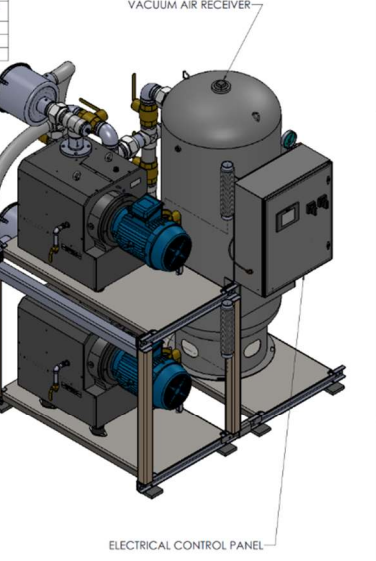
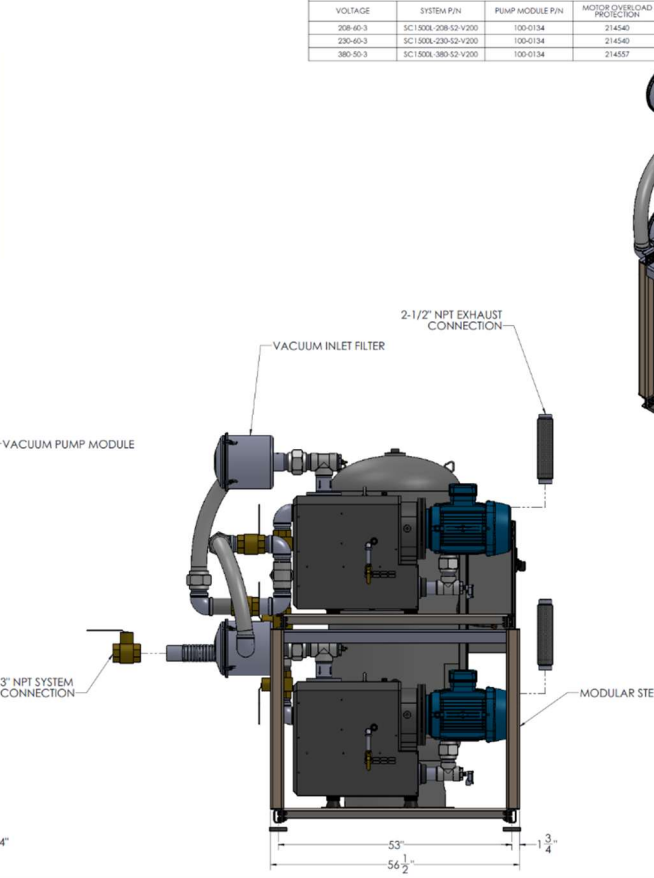
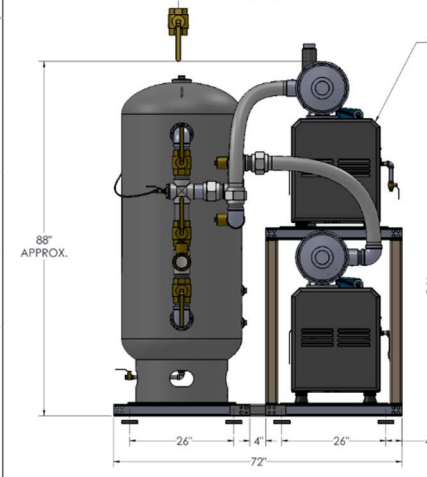
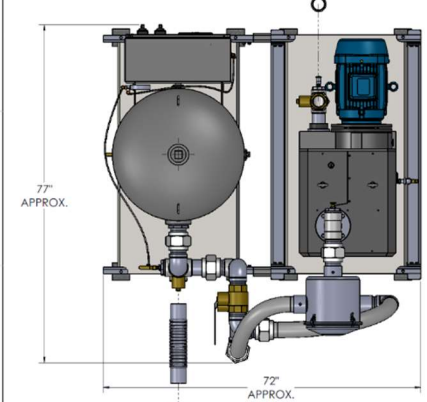
*System capacity is stated with one pump in reserve per NFPA. Capacity based on operation at sea level. For higher altitude, contact factory for adjusted capacity.

SYSTEM MODEL NO.	PART NO.	HP EACH	SCHWABACH @ 1 1/2" HP EACH	SCHWABACH @ 2 1/2" HP EACH	DESIGN CAPACITY (1 1/2" HP EACH)	RECIPIVER SIZE (GALLONS)	PUMP INLET NPT	ESTIMATED SYSTEM WEIGHT (LB)	NOISE LEVEL (DBA)
C1500L8-S2	SC1500L-460-S2-V200	15	95 / 240	47 / 231	95	200	3"	2950	78

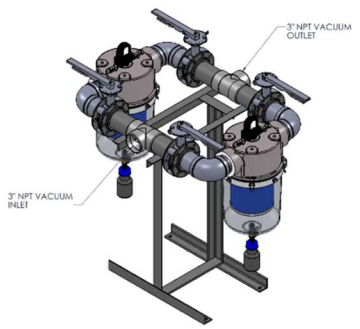
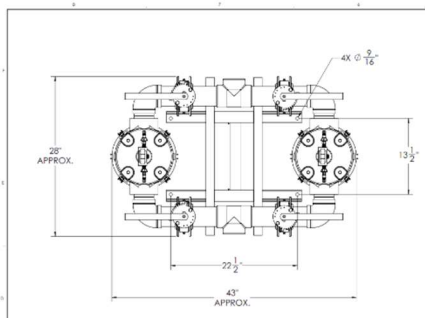
TABLE 1

SYSTEM LISTED ARE 460V. IF ANOTHER VOLTAGE IS REQUIRED, USE THE FOLLOWING PART NUMBERS.

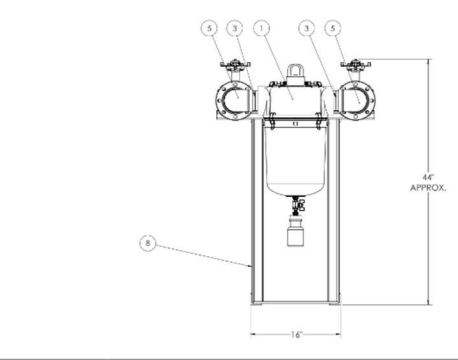
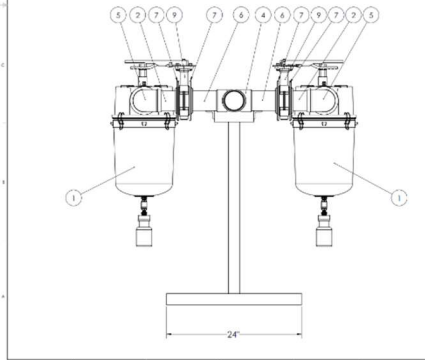
VOLTAGE	SYSTEM P/N	PUMP MODULE P/N	MOTOR OVERLOAD PROTECTION
208-460-3	SC1500L-208-S2-V200	100-0134	214540
230-460-3	SC1500L-230-S2-V200	100-0134	214540
380-50-3	SC1500L-380-S2-V200	100-0134	214557



REV	DATE	INITIALS	DESCRIPTION
01	N/A		INITIAL RELEASE
02	07/22/22	JCL	DESIGN CHANGE
03	07/22/22	JCL	DESIGN CHANGE
04	07/22/22	JCL	DESIGN CHANGE
05	07/22/22	JCL	DESIGN CHANGE
06	07/22/22	JCL	DESIGN CHANGE
07	07/22/22	JCL	DESIGN CHANGE
08	07/22/22	JCL	DESIGN CHANGE
09	07/22/22	JCL	DESIGN CHANGE
10	07/22/22	JCL	DESIGN CHANGE
11	07/22/22	JCL	DESIGN CHANGE
12	07/22/22	JCL	DESIGN CHANGE
13	07/22/22	JCL	DESIGN CHANGE
14	07/22/22	JCL	DESIGN CHANGE
15	07/22/22	JCL	DESIGN CHANGE
16	07/22/22	JCL	DESIGN CHANGE
17	07/22/22	JCL	DESIGN CHANGE
18	07/22/22	JCL	DESIGN CHANGE
19	07/22/22	JCL	DESIGN CHANGE
20	07/22/22	JCL	DESIGN CHANGE
21	07/22/22	JCL	DESIGN CHANGE
22	07/22/22	JCL	DESIGN CHANGE
23	07/22/22	JCL	DESIGN CHANGE
24	07/22/22	JCL	DESIGN CHANGE
25	07/22/22	JCL	DESIGN CHANGE
26	07/22/22	JCL	DESIGN CHANGE
27	07/22/22	JCL	DESIGN CHANGE
28	07/22/22	JCL	DESIGN CHANGE
29	07/22/22	JCL	DESIGN CHANGE
30	07/22/22	JCL	DESIGN CHANGE
31	07/22/22	JCL	DESIGN CHANGE
32	07/22/22	JCL	DESIGN CHANGE
33	07/22/22	JCL	DESIGN CHANGE
34	07/22/22	JCL	DESIGN CHANGE
35	07/22/22	JCL	DESIGN CHANGE
36	07/22/22	JCL	DESIGN CHANGE
37	07/22/22	JCL	DESIGN CHANGE
38	07/22/22	JCL	DESIGN CHANGE
39	07/22/22	JCL	DESIGN CHANGE
40	07/22/22	JCL	DESIGN CHANGE
41	07/22/22	JCL	DESIGN CHANGE
42	07/22/22	JCL	DESIGN CHANGE
43	07/22/22	JCL	DESIGN CHANGE
44	07/22/22	JCL	DESIGN CHANGE
45	07/22/22	JCL	DESIGN CHANGE
46	07/22/22	JCL	DESIGN CHANGE
47	07/22/22	JCL	DESIGN CHANGE
48	07/22/22	JCL	DESIGN CHANGE
49	07/22/22	JCL	DESIGN CHANGE
50	07/22/22	JCL	DESIGN CHANGE
51	07/22/22	JCL	DESIGN CHANGE
52	07/22/22	JCL	DESIGN CHANGE
53	07/22/22	JCL	DESIGN CHANGE
54	07/22/22	JCL	DESIGN CHANGE
55	07/22/22	JCL	DESIGN CHANGE
56	07/22/22	JCL	DESIGN CHANGE
57	07/22/22	JCL	DESIGN CHANGE
58	07/22/22	JCL	DESIGN CHANGE
59	07/22/22	JCL	DESIGN CHANGE
60	07/22/22	JCL	DESIGN CHANGE
61	07/22/22	JCL	DESIGN CHANGE
62	07/22/22	JCL	DESIGN CHANGE
63	07/22/22	JCL	DESIGN CHANGE
64	07/22/22	JCL	DESIGN CHANGE
65	07/22/22	JCL	DESIGN CHANGE
66	07/22/22	JCL	DESIGN CHANGE
67	07/22/22	JCL	DESIGN CHANGE
68	07/22/22	JCL	DESIGN CHANGE
69	07/22/22	JCL	DESIGN CHANGE
70	07/22/22	JCL	DESIGN CHANGE
71	07/22/22	JCL	DESIGN CHANGE
72	07/22/22	JCL	DESIGN CHANGE
73	07/22/22	JCL	DESIGN CHANGE
74	07/22/22	JCL	DESIGN CHANGE
75	07/22/22	JCL	DESIGN CHANGE
76	07/22/22	JCL	DESIGN CHANGE
77	07/22/22	JCL	DESIGN CHANGE
78	07/22/22	JCL	DESIGN CHANGE
79	07/22/22	JCL	DESIGN CHANGE
80	07/22/22	JCL	DESIGN CHANGE
81	07/22/22	JCL	DESIGN CHANGE
82	07/22/22	JCL	DESIGN CHANGE
83	07/22/22	JCL	DESIGN CHANGE
84	07/22/22	JCL	DESIGN CHANGE
85	07/22/22	JCL	DESIGN CHANGE
86	07/22/22	JCL	DESIGN CHANGE
87	07/22/22	JCL	DESIGN CHANGE
88	07/22/22	JCL	DESIGN CHANGE
89	07/22/22	JCL	DESIGN CHANGE
90	07/22/22	JCL	DESIGN CHANGE
91	07/22/22	JCL	DESIGN CHANGE
92	07/22/22	JCL	DESIGN CHANGE
93	07/22/22	JCL	DESIGN CHANGE
94	07/22/22	JCL	DESIGN CHANGE
95	07/22/22	JCL	DESIGN CHANGE
96	07/22/22	JCL	DESIGN CHANGE
97	07/22/22	JCL	DESIGN CHANGE
98	07/22/22	JCL	DESIGN CHANGE
99	07/22/22	JCL	DESIGN CHANGE
100	07/22/22	JCL	DESIGN CHANGE



ITEM NO.	QUANTITY	PART NUMBER	DESCRIPTION	REF. FIG'S
1	2	228113	MEDICAL VACUUM FILTER 0.2 MICRONS 2 NPT	
2	4	A-15102-54	3.5 1/4 NPT NUTS	
3	4	A-15102-11	3\"/>	
4	2	A-15108-11	1/2\"/>	
5	4	A-15101-11	2 NPT BALL VALVES	
6	4	A-14301-8	2 NPT SCH 40 GALVANIZED PIPE (8\"/>	
7	8	B-14624-2	RANGE 2	
8	1	1500L8-S2	WELDED BASE MEDICAL VACUUM PUMP SYSTEM	
9	4	B3.5	BUTTERFLY VALVE 2 NPT	



REV	DATE	INITIALS	DESCRIPTION
01	N/A		INITIAL RELEASE
02	07/22/22	JCL	DESIGN CHANGE
03	07/22/22	JCL	DESIGN CHANGE
04	07/22/22	JCL	DESIGN CHANGE
05	07/22/22	JCL	DESIGN CHANGE
06	07/22/22	JCL	DESIGN CHANGE
07	07/22/22	JCL	DESIGN CHANGE
08	07/22/22	JCL	DESIGN CHANGE
09	07/22/22	JCL	DESIGN CHANGE
10	07/22/22	JCL	DESIGN CHANGE
11	07/22/22	JCL	DESIGN CHANGE
12	07/22/22	JCL	DESIGN CHANGE
13	07/22/22	JCL	DESIGN CHANGE
14	07/22/22	JCL	DESIGN CHANGE
15	07/22/22	JCL	DESIGN CHANGE
16	07/22/22	JCL	DESIGN CHANGE
17	07/22/22	JCL	DESIGN CHANGE
18	07/22/22	JCL	DESIGN CHANGE
19	07/22/22	JCL	DESIGN CHANGE
20	07/22/22	JCL	DESIGN CHANGE
21	07/22/22	JCL	DESIGN CHANGE
22	07/22/22	JCL	DESIGN CHANGE
23	07/22/22	JCL	DESIGN CHANGE
24	07/22/22	JCL	DESIGN CHANGE
25	07/22/22	JCL	DESIGN CHANGE
26	07/22/22	JCL	DESIGN CHANGE
27	07/22/22	JCL	DESIGN CHANGE
28	07/22/22	JCL	DESIGN CHANGE
29	07/22/22	JCL	DESIGN CHANGE
30	07/22/22	JCL	DESIGN CHANGE
31	07/22/22	JCL	DESIGN CHANGE
32	07/22/22	JCL	DESIGN CHANGE
33	07/22/22	JCL	DESIGN CHANGE
34	07/22/22	JCL	DESIGN CHANGE
35	07/22/22	JCL	DESIGN CHANGE
36	07/22/22	JCL	DESIGN CHANGE
37	07/22/22	JCL	DESIGN CHANGE
38	07/22/22	JCL	DESIGN CHANGE
39	07/22/22	JCL	DESIGN CHANGE
40	07/22/22	JCL	DESIGN CHANGE
41	07/22/22	JCL	DESIGN CHANGE
42	07/22/22	JCL	DESIGN CHANGE
43	07/22/22	JCL	DESIGN CHANGE
44	07/22/22	JCL	DESIGN CHANGE
45	07/22/22	JCL	DESIGN CHANGE
46	07/22/22	JCL	DESIGN CHANGE
47	07/22/22	JCL	DESIGN CHANGE
48	07/22/22	JCL	DESIGN CHANGE
49	07/22/22	JCL	DESIGN CHANGE
50	07/22/22	JCL	DESIGN CHANGE
51	07/22/22	JCL	DESIGN CHANGE
52	07/22/22	JCL	DESIGN CHANGE
53	07/22/22	JCL	DESIGN CHANGE
54	07/22/22	JCL	DESIGN CHANGE
55	07/22/22	JCL	DESIGN CHANGE
56	07/22/22	JCL	DESIGN CHANGE
57	07/22/22	JCL	DESIGN CHANGE
58	07/22/22	JCL	DESIGN CHANGE
59	07/22/22	JCL	DESIGN CHANGE
60	07/22/22	JCL	DESIGN CHANGE
61	07/22/22	JCL	DESIGN CHANGE
62	07/22/22	JCL	DESIGN CHANGE
63	07/22/22	JCL	DESIGN CHANGE
64	07/22/22	JCL	DESIGN CHANGE
65	07/22/22	JCL	DESIGN CHANGE
66	07/22/22	JCL	DESIGN CHANGE
67	07/22/22	JCL	DESIGN CHANGE
68	07/22/22	JCL	DESIGN CHANGE
69	07/22/22	JCL	DESIGN CHANGE
70	07/22/22	JCL	DESIGN CHANGE
71	07/22/22	JCL	DESIGN CHANGE
72	07/22/22	JCL	DESIGN CHANGE
73	07/22/22	JCL	DESIGN CHANGE
74	07/22/22	JCL	DESIGN CHANGE
75	07/22/22	JCL	DESIGN CHANGE
76	07/22/22	JCL	DESIGN CHANGE
77	07/22/22	JCL	DESIGN CHANGE
78	07/22/22	JCL	DESIGN CHANGE
79	07/22/22	JCL	DESIGN CHANGE
80	07/22/22	JCL	DESIGN CHANGE
81	07/22/22	JCL	DESIGN CHANGE
82	07/22/22	JCL	DESIGN CHANGE
83	07/22/22	JCL	DESIGN CHANGE
84	07/22/22	JCL	DESIGN CHANGE
85	07/22/22	JCL	DESIGN CHANGE
86	07/22/22	JCL	DESIGN CHANGE
87	07/22/22	JCL	DESIGN CHANGE
88	07/22/22	JCL	DESIGN CHANGE
89	07/22/22	JCL	DESIGN CHANGE
90	07/22/22	JCL	DESIGN CHANGE
91	07/22/22	JCL	DESIGN CHANGE
92	07/22/22	JCL	DESIGN CHANGE
93	07/22/22	JCL	DESIGN CHANGE
94	07/22/22	JCL	DESIGN CHANGE
95	07/22/22	JCL	DESIGN CHANGE
96	07/22/22	JCL	DESIGN CHANGE
97	07/22/22	JCL	DESIGN CHANGE
98	07/22/22	JCL	DESIGN CHANGE
99	07/22/22	JCL	DESIGN CHANGE
100	07/22/22	JCL	DESIGN CHANGE