

# SC300-S2-H60 Claw Medical Vacuum System

System is NFPA compliant and has modular construction and interconnecting piping.

## PUMP MODULE

Oil-less rotary claw air cooled vacuum pump with NEMA motor. Each pump module is equipped with an inlet filter, check valve, pump isolation valve, internal discharge silencer, and temperature switch.

## SYSTEM CONTROLS

The UL listed soft start electrical control panel features a high-definition color touch screen that can be set up externally without the use of toggle switches. The panel displays multiple conditions, including pump running status, elapsed hours, vacuum level, and audio/visual alarms.

Standard features include lag alarm, automatic pump alternation, adjustable minimum run timer, adjustable vacuum settings, adjustable screen brightness, alarm history registry, and data logging. The panel has standard dry contacts and Modbus interface with building management systems. Ethernet and BACnet are available as options. The panel's maintenance menu includes service items and maintenance warnings, and it is programmed for both English and Spanish languages.

## VACUUM RECEIVER

Constructed to ASME standards and rated for full vacuum. Equipped with valved bypass, high visibility vacuum gauge, source isolation valve, and a manual drain valve. Mounting pads and flex connectors supplied for field installation.

## KEY OPTIONS

Variable Speed Drive Electrical Panel  
 O2 Assured Oil for gearbox  
 Configurable for Lab or Industrial Applications  
 Gas Purge System for Lab use

<b>Configuration</b>	Duplex Stack Mount
<b>System Capacity*</b>	23 SCFM @ 19" Hg. 60 Hz. 19.2 SCFM @ 19" Hg. 50 Hz.
<b>Horsepower (Each Pump)</b>	3 HP
<b>Horsepower (Total System)</b>	6 HP
<b>Available Voltage</b>	208/230/460 v. 3 phase 60 Hz. 380 v. 3 phase 50 Hz. Contact Factory for other voltages
<b>Full Load Amps 3 ph.</b>	208 volts: 22.4 230 volts: 20.3 380 volts: 12.4 460 volts: 10.2
<b>Tank Size</b>	60 gallon horizontal
<b>Medical Filter Bank (option)</b>	BOM-MED FB-15



Click here for pump specifications and industry-leading parts support.

\*System capacity is stated with one pump in reserve per NFPA. Capacity based on operation at sea level. For higher altitude, contact factory for adjusted capacity.

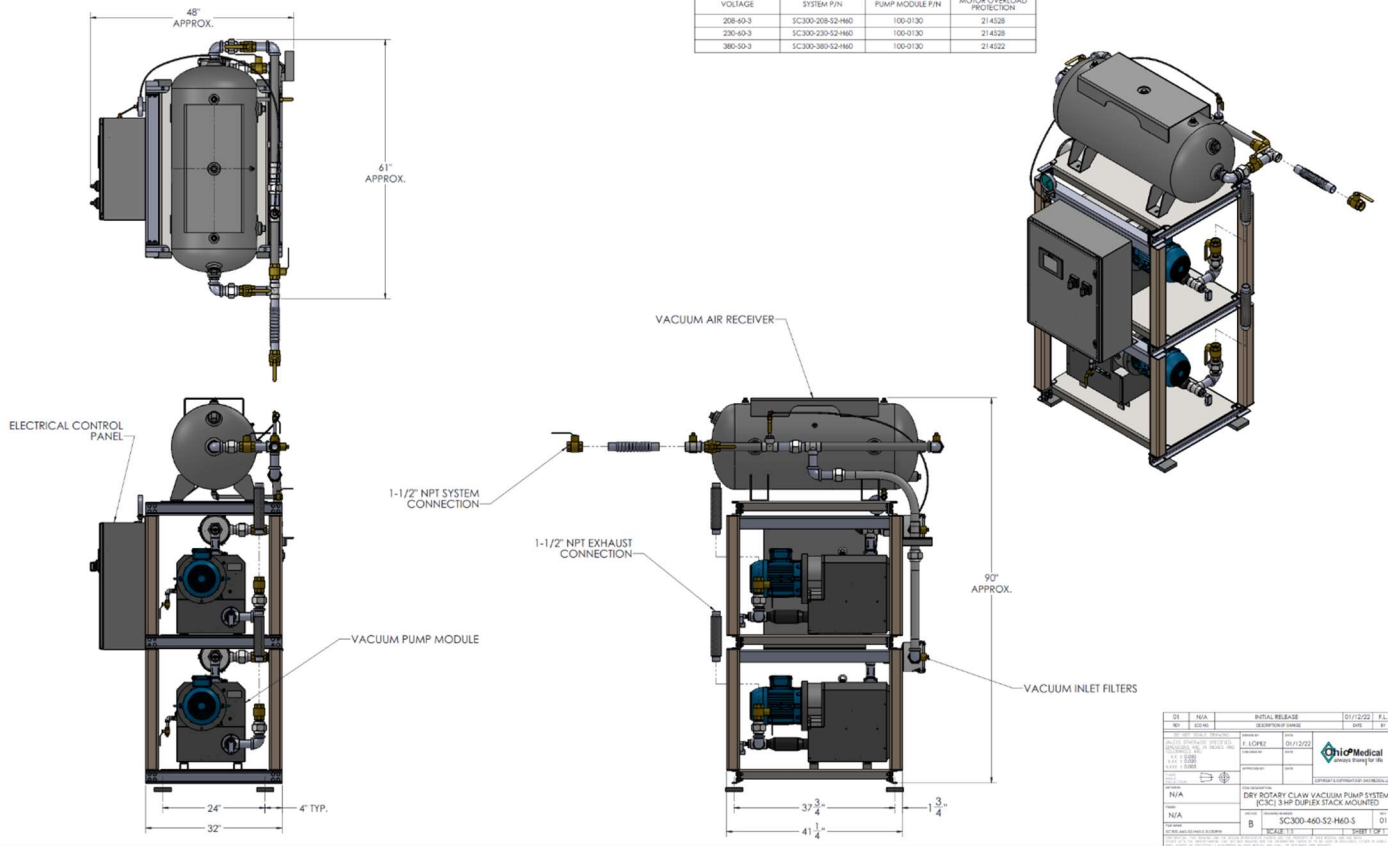
SYSTEM MODEL NO.	PART NO.	HP EACH	SC/20"ACFM @ 1" P" Hg EACH	SC/24"ACFM @ 24" Hg EACH	DESIGN CAPACITY (0.17" Hg EACH)	RECEIVER SIZE (GAL/ONS)	PUMP INLET NPT	ENTRANCED SYSTEM WEIGHT (LB)	NOISE LEVEL (dBA)
CX308-ST2	SC300-460-S2-H60	3	23.0 / 43.0	11.9 / 46.0	23.0	60	1-1/2"	1400	75

SPACE ALLOWANCE FOR MAINTENANCE = 3 FT. ON ALL SIDES. MORE SPACE IS REQUIRED FOR THE OPENING OF LARGER PANEL DOORS.

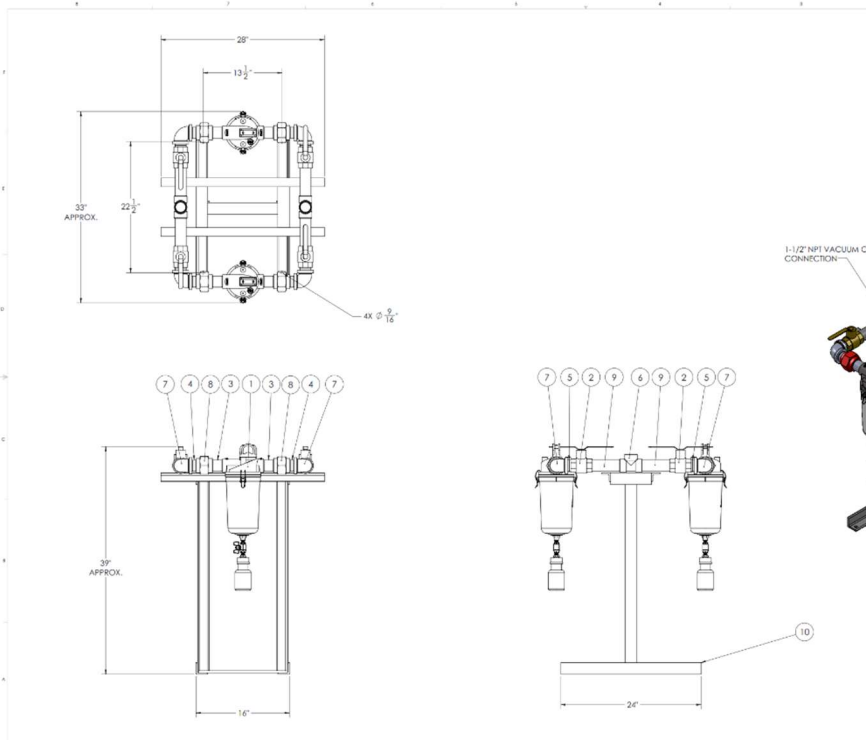
TABLE 1

SYSTEM LISTED ARE 480V. IF ANOTHER VOLTAGE IS REQUIRED, USE THE FOLLOWING PART NUMBERS.

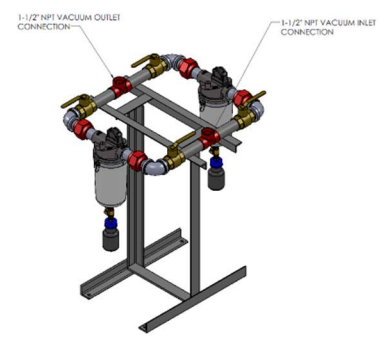
VOLTAGE	SYSTEM P/N	PUMP MODULE P/N	MOTOR OVERLOAD PROTECTION
208-40-3	SC300-208-S2-H60	100-0130	214328
230-40-3	SC300-230-S2-H60	100-0130	214328
380-50-3	SC300-380-S2-H60	100-0130	214322



REV	DATE	BY	DESCRIPTION
01	01/21/22	PL	INITIAL RELEASE
02	01/21/22	PL	REVISION 1
03	01/21/22	PL	REVISION 2
04	01/21/22	PL	REVISION 3
05	01/21/22	PL	REVISION 4
06	01/21/22	PL	REVISION 5
07	01/21/22	PL	REVISION 6
08	01/21/22	PL	REVISION 7
09	01/21/22	PL	REVISION 8
10	01/21/22	PL	REVISION 9



ITEM NO.	QTY.	PART NUMBER	DESCRIPTION	REF. NOTE
1	2	33399	FILTER INLET MEDICAL VACUUM 1-1/2\"/>	
2	4	24207	1-1/2\"/>	
3	4	A-12100-1	1.5\"/>	
4	4	A-12100-33	1.5\"/>	
5	4	A-12105-8	1-1/2\"/>	
6	2	A-12106-8	1.5\"/>	
7	4	A-12108-8	1-1/2\"/>	
8	4	A-12117-8	UNION 1-1/2\"/>	
9	4	A-14051-5	1-1/2\"/>	
10	1		WELDED BASE, MEDICAL FILTER BANK 3\"/>	



REV	DATE	BY	DESCRIPTION
01	01/21/22	PL	INITIAL RELEASE
02	01/21/22	PL	REVISION 1
03	01/21/22	PL	REVISION 2
04	01/21/22	PL	REVISION 3
05	01/21/22	PL	REVISION 4
06	01/21/22	PL	REVISION 5
07	01/21/22	PL	REVISION 6
08	01/21/22	PL	REVISION 7
09	01/21/22	PL	REVISION 8
10	01/21/22	PL	REVISION 9